

# P R E F A C E

1. This parts catalog is the last edition Yanmar crawler backhoe B7(for Japan & Overseas).

## 2. Parts catalog history

	Parts catalog No.	Published	Remarks
1st edition	000Y00K2760	May, 1992	Disuse old edition
last edition	000Y00K2761	Oct., 1995	

## 3. Model name

SECTION	Column	Model name
I (Vehicle)	(A)	B7(R) CABIN
	(B)	B7(R) CANOPY
	(C)	B7(R) AUSTRALIA
	(D)	B7(R) EUROPE
	(E)	B7(R) AMMANN
II (Engine)	(A)	4TN100L - RB

4. Your understanding is asking that this parts catalog is not a technical data manual setting forth as servicing procedures, This parts catalog is using simplified illustration.

Be sure to use Yanmar Genuine Parts in your maintenance servicing of Yanmar products.

Be careful not to use the simple parts available in the market ; otherwise their use in repairing causes such as an early breakage, for instance.

# SPECIFICATIONS

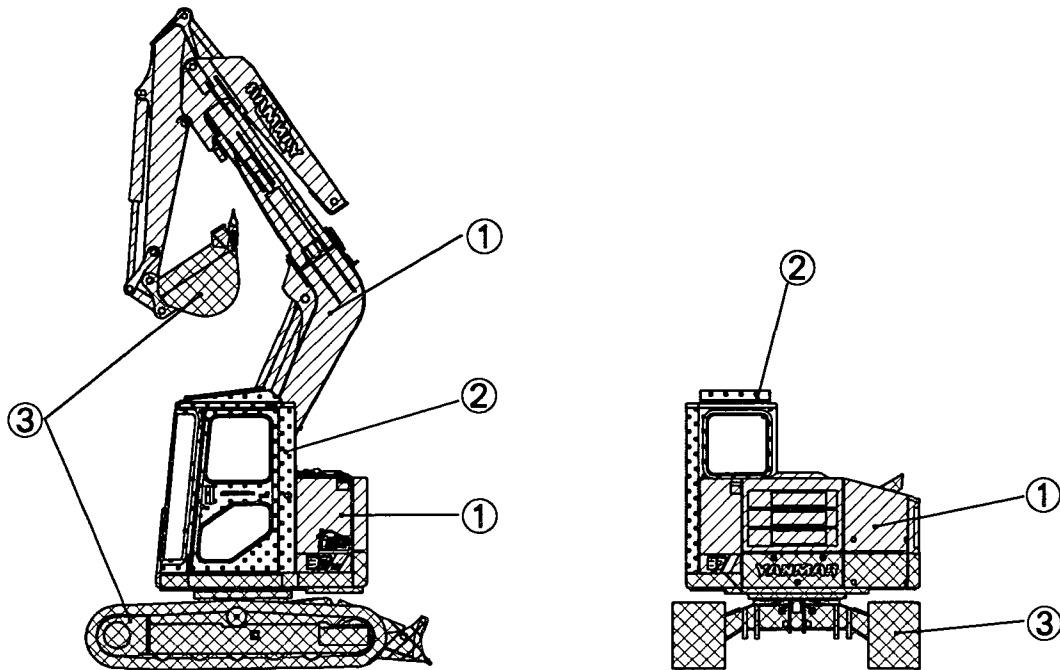
Name			<b>YANMAR CRAWLER BACKHOE</b>	
Model			<b>B7 - P(R)</b>	<b>B7 - C(R)</b>
Engine	Model		Vertical 4 - cylinder water - cooled diesel	
	Type		4TN100L - RB	
Dimensions	Transport length	mm	6100	
	Transport width	mm	2150	
	Transport height	mm	2460	
Std. bucket capacity		m <sup>3</sup>	0.25	
Std. bucket width(Outside)		mm	750	
Max. digging depth		mm	4500(4700 Blade)	
Max. cutting height		mm	7350	
Max. dump height		mm	5500	
Max. reach at ground level		mm	6350	
Min. swing radius		mm	1075	
Max. digging force(Std. bucket)		kgf	4300	
Travel speed		km/h	4.3/2.2[4.5/2.3]	
Gradability		degree	30	
Average ground pressure		kgf/cm <sup>2</sup>	0.36[0.35]	0.37[0.36]
Track shoe width(Std.)		mm	450	
Blade	Width×height	mm	2150×420	
	Capacity	m <sup>3</sup>	0.38	
Machine mass		kg	7450	7500



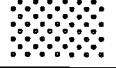

[ ] shows to the specification of rubber crawler.

# 1 [ 本機塗装色 VEHICLE PAINTED COLOR ]

旧塗装色 M/# 00501～  
PREVIOUS COLOR M/# 00501～

新塗装色 M/# 00536～  
NEW COLOR M/# 00536～



部所 Part	表示 Description	塗装色 マンセル記号	Painted Color Munsel No.	色区分 Color Code
①		ヤンマーレモンイエロー 10Y9/8	YANMAR Lemon Yellow 10Y9/8	
①		ヤンマーパーマネントイエロー 4. 92Y8. 40/11. 83	YANMAR Permanent Yellow 4. 92Y8. 40/11. 83	84
②		ヤンマーグレイッシュグリーン 2. 15G 4. 87/1. 52	YANMAR Grayish Green 2. 15G 4. 87/1. 52	83
③		ヤンマーディープグリーン 6. 39BG2. 13/1. 73	YANMAR Deep Green 6. 39BG2. 13/1. 73	82

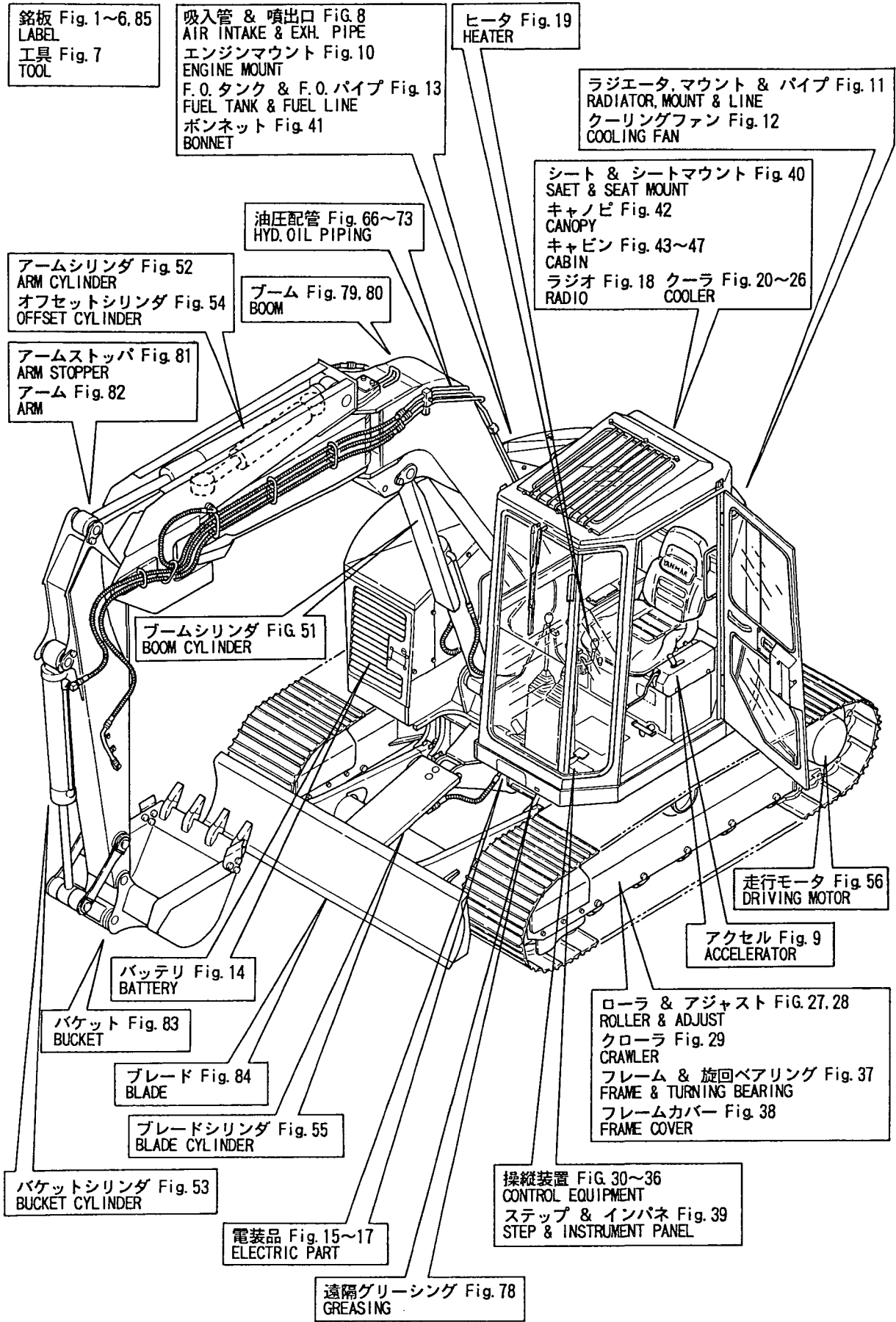
## 2 [ 塗料部品番号 ] PAINT PART NO.

部所 Part	塗装色 Paint Color	塗料部品番号 (Paint Part No.)		
		16L缶(16L Can)	4L缶(4L Can)	スプレー(SPRAY)
①	ヤンマーレモンイエロー YANMAR Lemon Yellow	933110-91604	————	977620-30G71
①	ヤンマーパーマネントイエロー YANMAR Permanent Yellow	981101-09518	977620-40840	977620-30841
②	ヤンマーグレイッシュグリーン YANMAR Grayish Green	981101-09615	977620-40830	977620-30N41
③	ヤンマーディープグリーン YANMAR Deep Green	981101-09517	977620-40820	977620-30N31

## 3 [ 主要部品の塗装色 ] COLOR OF MAIN PARTS

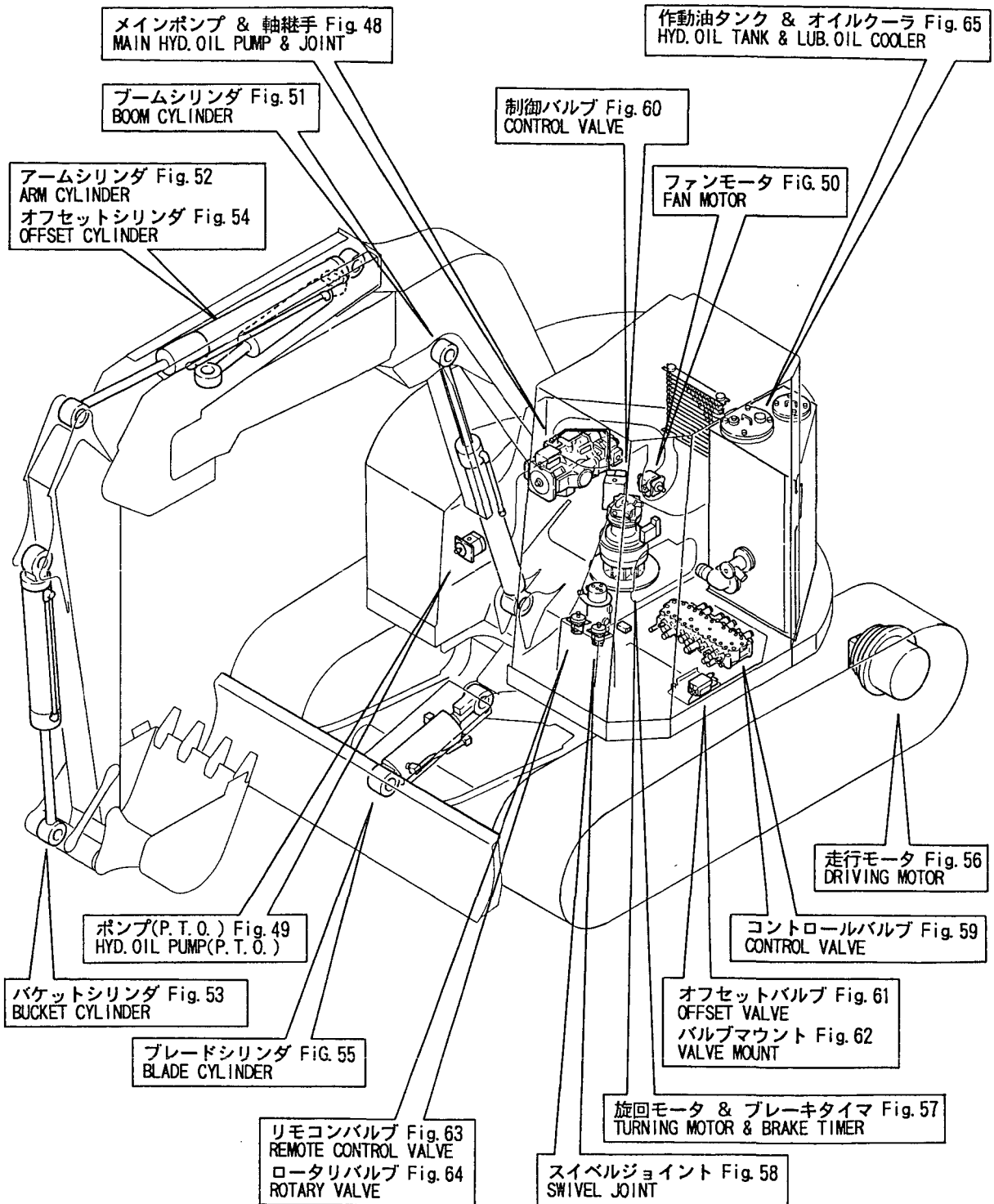
部所 Part	塗装色 Paint Color	主な部品	Main Parts
①	ヤンマーレモンイエロー YANMAR Lemon Yellow	作業機部 ボンネット 作動油タンク	work equipment part bonnet hyd.oil tank
①	ヤンマーパーマネントイエロー YANMAR Permanent Yellow		
②	ヤンマーグレイッシュグリーン YANMAR Grayish Green	キャビン キャノピ	cabin canopy
③	ヤンマーディープグリーン YANMAR Deep Green	バケット ブレード トラックフレーム ターニングフレーム	bucket blade track frame turning frame

絵目次 (1) . . . . . 主要部分  
 PICTURESQUE INDEX(1) . . . MAIN PARTS



絵目次 (2) . . . . . 油圧関係  
 PICTURESQUE INDEX(2) . . . HYDRAULIC SECTION

油圧配管 Fig. 66~73  
 HYD. OIL PIPING  
 コントロール配管 Fig. 74~77  
 CONTROL PIPING



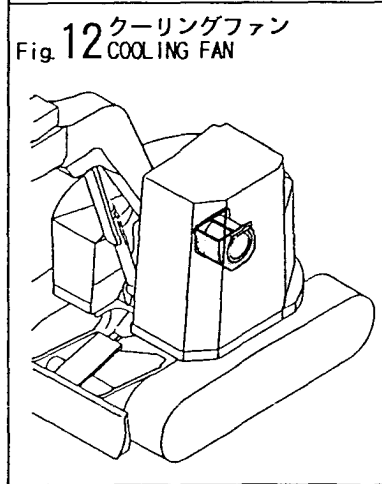
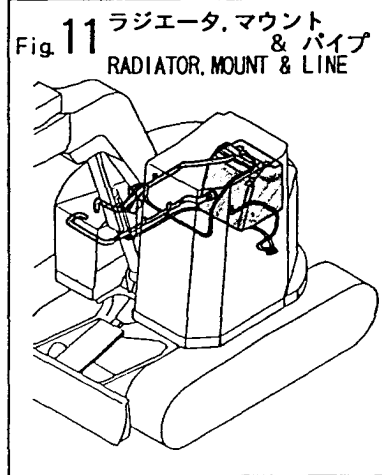
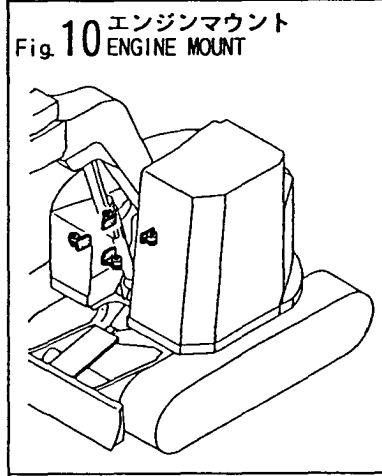
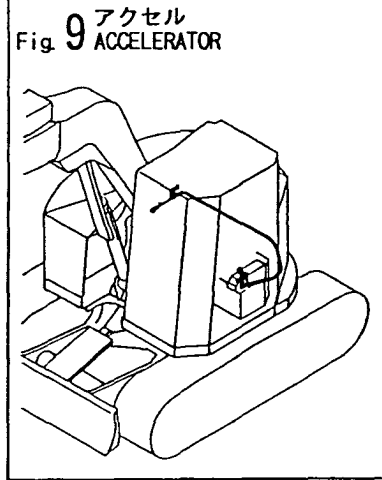
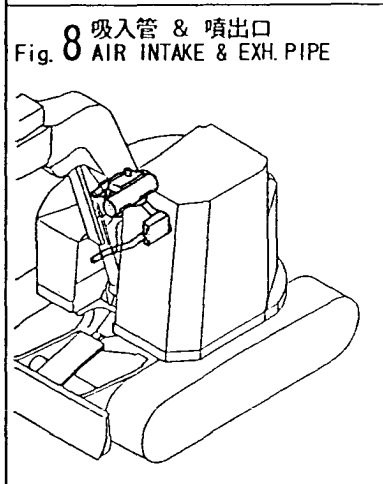
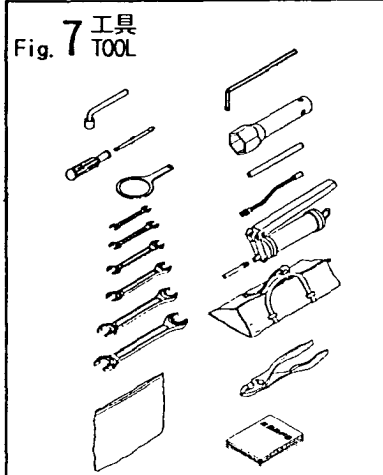
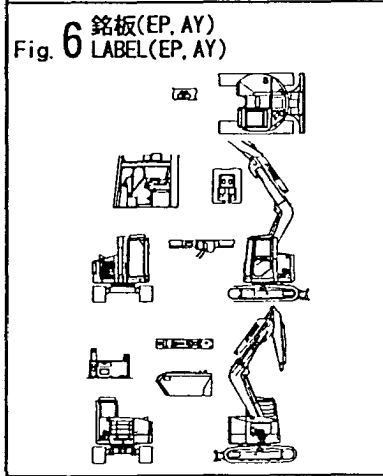
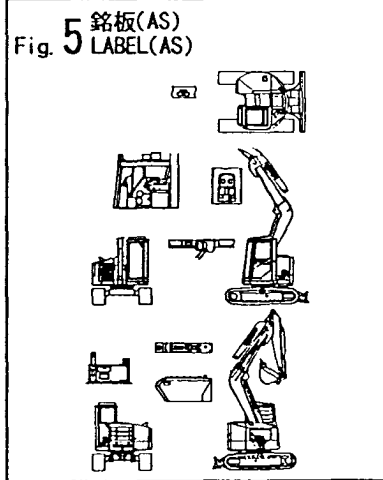
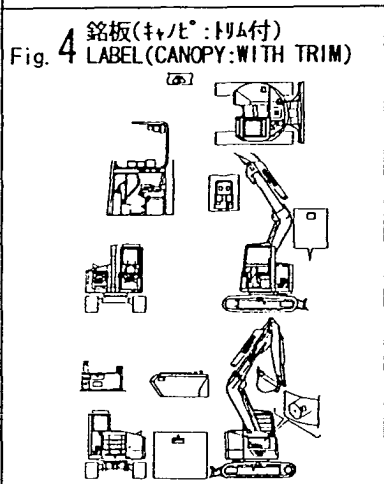
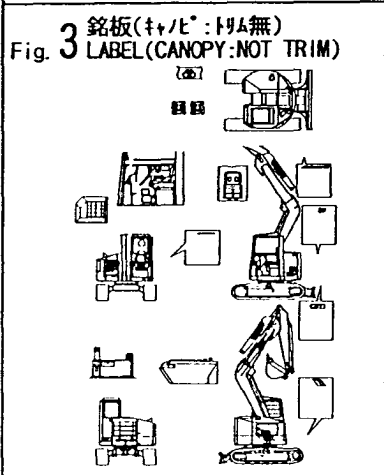
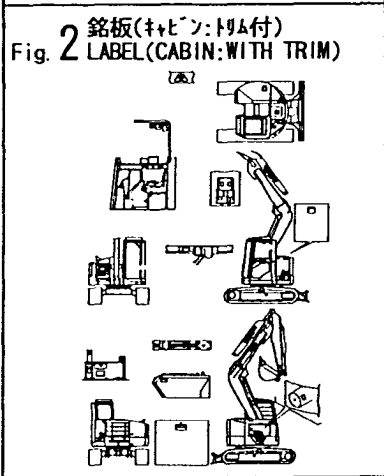
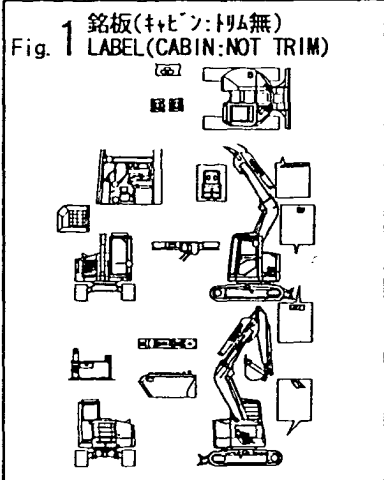


Fig. 13 F.O.タンク & F.O.パイプ  
 FUEL TANK & FUEL LINE

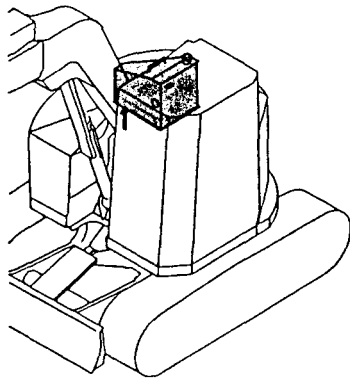


Fig. 17 電装品(キャビン専用)  
 ELECTRIC PART(CABIN)

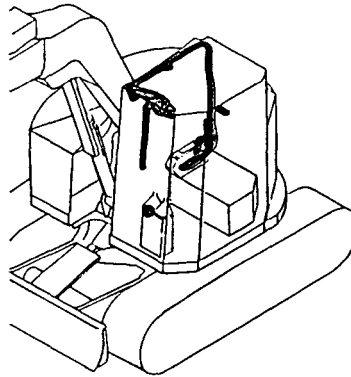


Fig. 21 クーラ(コンプレッサ関連)  
 COOLER(COMPRESSOR RELATED)

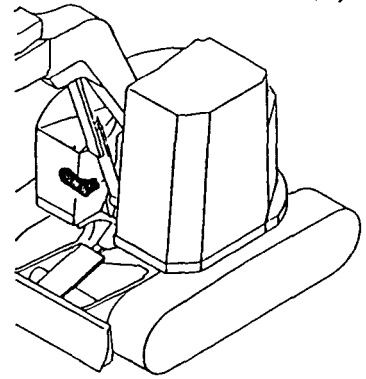


Fig. 14 バッテリ  
 BATTERY

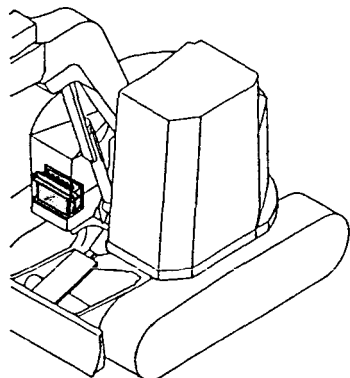


Fig. 18 ラジオ  
 RADIO

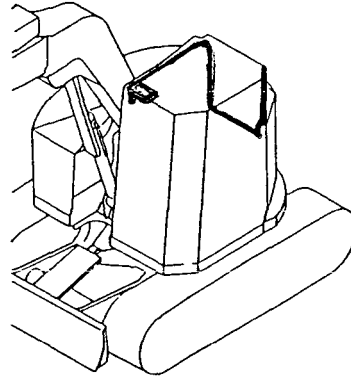


Fig. 22 クーラ(コンデンサ関連)  
 COOLER(CONDENSER RELATED)

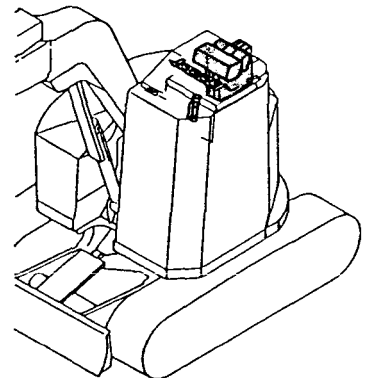


Fig. 15 電装品(ワイヤリング)  
 :キャビン, キャノピー 共通)  
 ELECTRIC PART  
 (WIRING: CABIN, CANOPY)

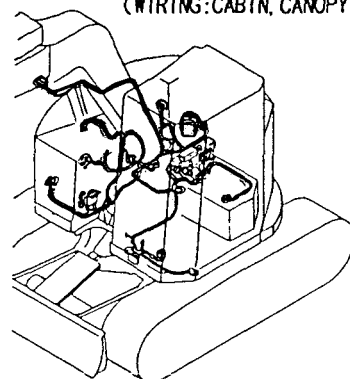


Fig. 19 ヒータ  
 HEATER

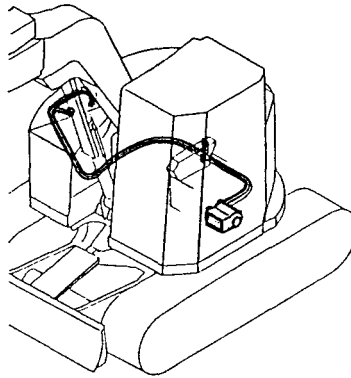


Fig. 23 クーラ(キャビン 屋根内関連)  
 COOLER(CABIN ROOF INNER RELATED)

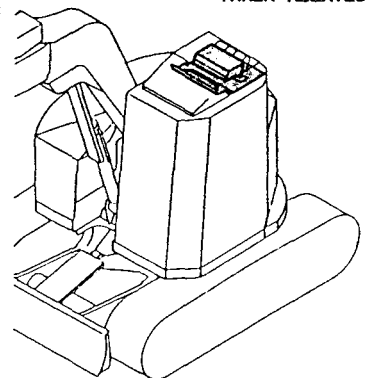


Fig. 16 電装品(機器)  
 :キャビン, キャノピー 共通)  
 ELECTRIC PART  
 (EQUIPMENT: CABIN, CANOPY)

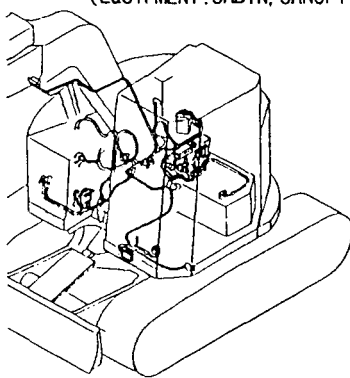


Fig. 20 クーラ(カバー関連)  
 COOLER(COVER RELATED)

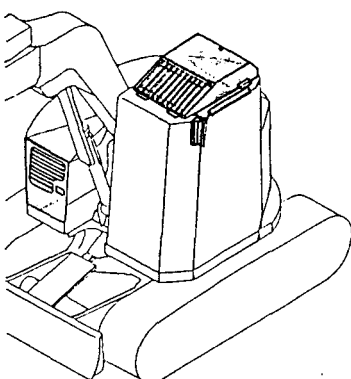


Fig. 24 クーラ(配管)  
 COOLER(PIPING)

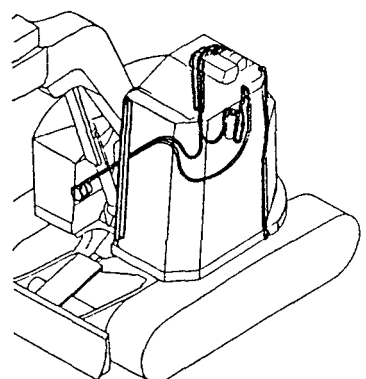




Fig. 25 クーラ(電装品)  
 COOLER(ELECTRIC PART)

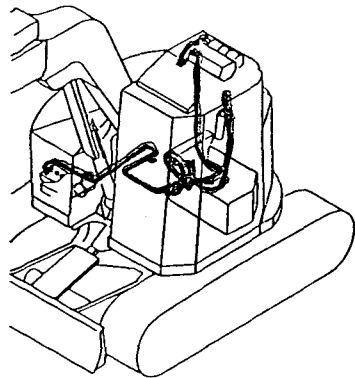


Fig. 29 クローラ(450)  
 CRAWLER(450)

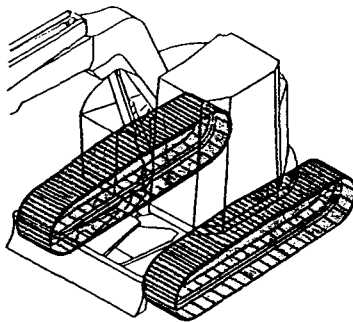


Fig. 33 操縦装置(オフセット)  
 CONTROL EQUIPMENT(OFFSET)

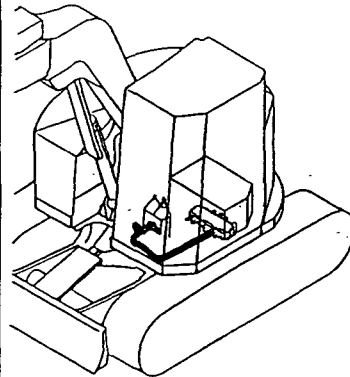


Fig. 26 クーラ(キャビン内装他)  
 COOLER(CABIN INTERIOR  
 OTHERS)

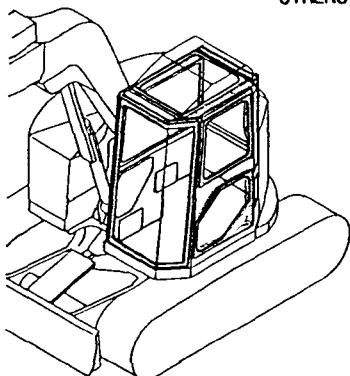


Fig. 30 操縦装置(リンク台 & 作業レバー)  
 CONTROL EQUIP. (LINK STAND  
 & OPERATION LEVER)

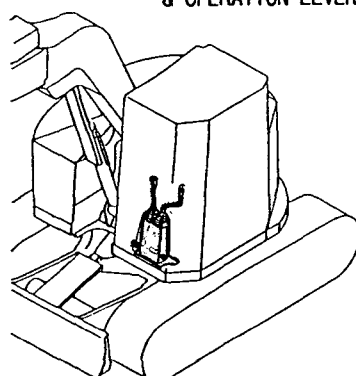


Fig. 34 操縦装置  
 (走行2速切替ペダル)  
 CONTROL EQUIPMENT  
 (DRIVING 2ND SW. PEDAL)

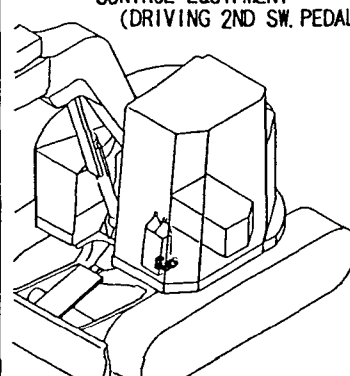


Fig. 27 ローラ & アジャスト  
 (鉄クローラ仕様)  
 ROLLER & ADJUST  
 (IRON CRAWLER SPEC.)

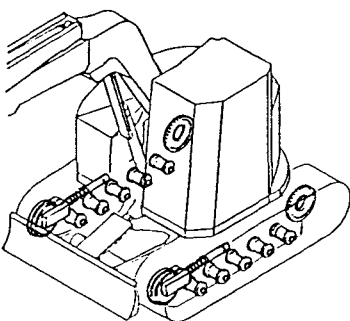


Fig. 31 操縦装置(走行)  
 CONTROL EQUIPMENT(DRIVE)

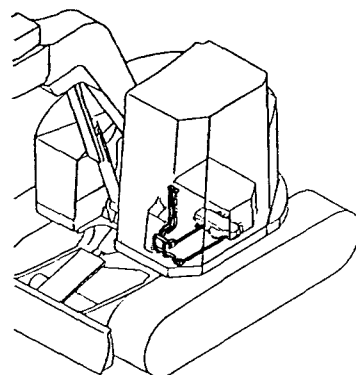


Fig. 35 操縦装置(カット)  
 CONTROL EQUIPMENT  
 (CUT-OFF)

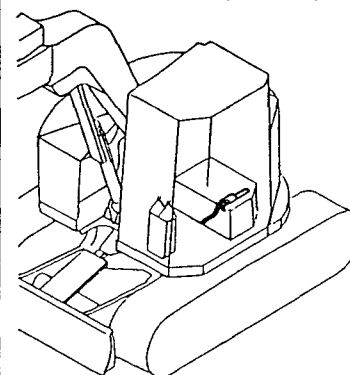


Fig. 28 ローラ & アジャスト  
 (ゴムクローラ仕様)  
 ROLLER & ADJUST  
 (RUBBER CRAWLER SPEC.)

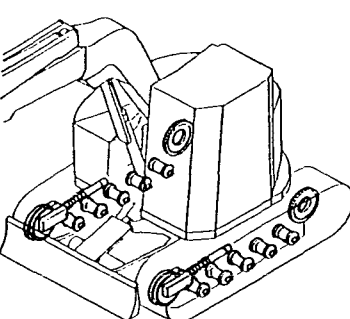


Fig. 32 操縦装置(ブレード)  
 CONTROL EQUIPMENT(BLADE)

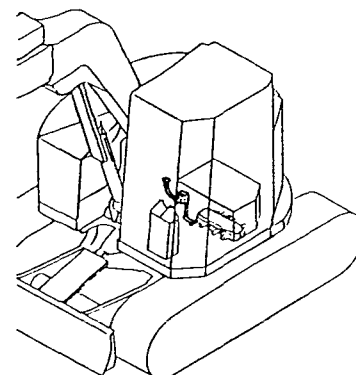


Fig. 36 操縦装置(P. T. O.)  
 CONTROL EQUIPMENT(P. T. O.)

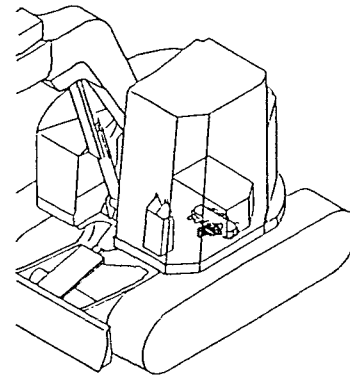


Fig. 37 フレーム & 旋回  
 ベアリング  
 FRAME & TURNING BEARING

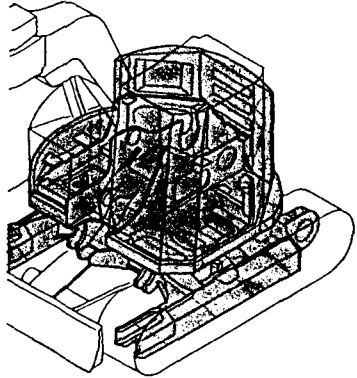


Fig. 41 ボンネット  
 BONNET

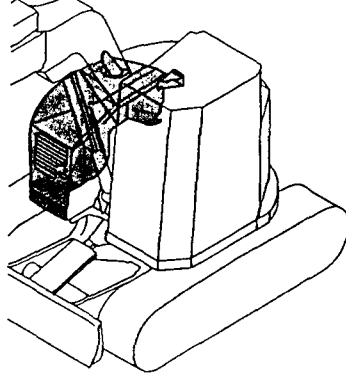


Fig. 45 キャビン(サッシ & ガラス)  
 CABIN(SASH & GLASS)

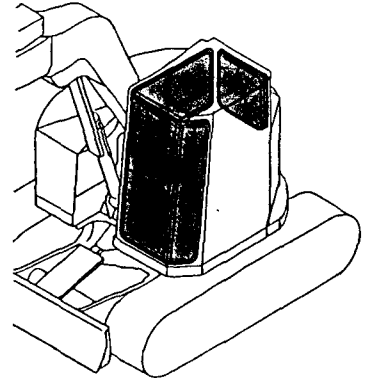


Fig. 38 フレームカバー  
 FRAME COVER

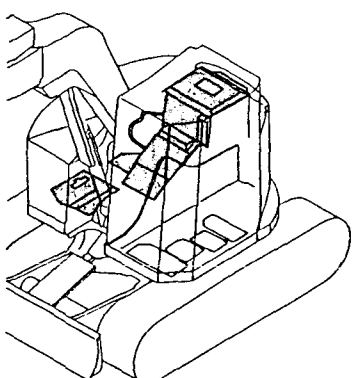


Fig. 42 キャノピー  
 CANOPY

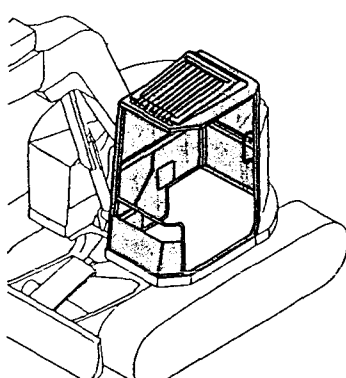


Fig. 46 キャビンドア  
 CABIN DOOR

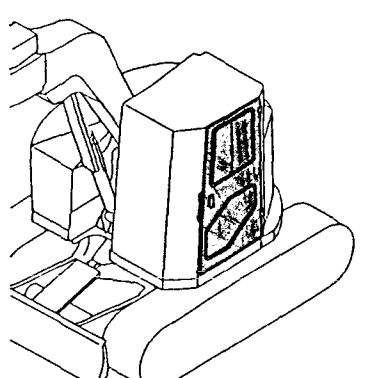


Fig. 39 ステップ & インパネ  
 STEP & INSTRUMENT PANEL

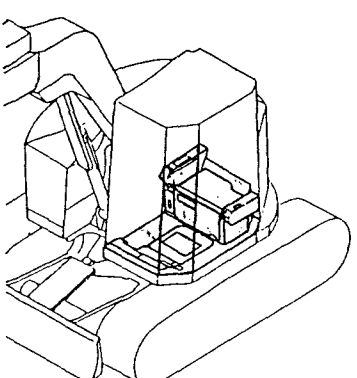


Fig. 43 キャビン(本体)(標準仕様)  
 CABIN(BODY)  
 (STANDARD SPEC.)

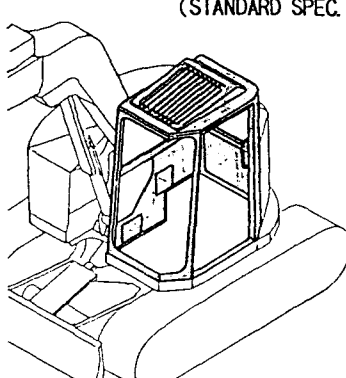


Fig. 47 キャビン改装  
 CABIN REMODELING

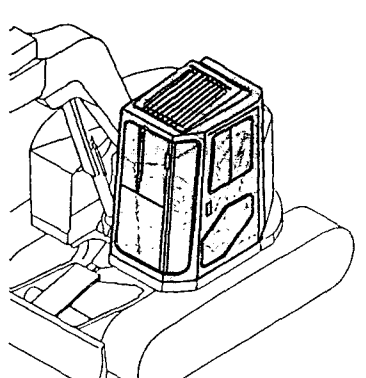


Fig. 40 シート & シートマウント  
 SEAT & SEAT MOUNT

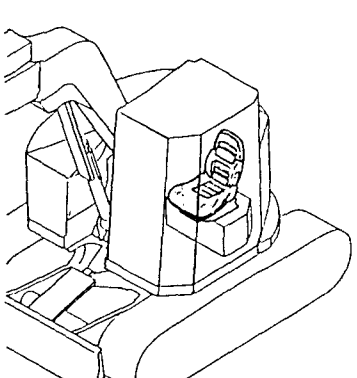


Fig. 44 キャビン(本体)(クーラ仕様)  
 CABIN(BODY)(COOLER SPEC.)

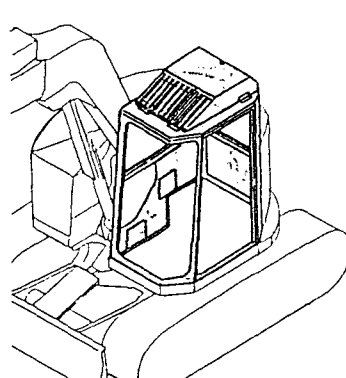


Fig. 48 メインポンプ & 軸継手  
 MAIN HYD. OIL PUMP  
 & JOINT

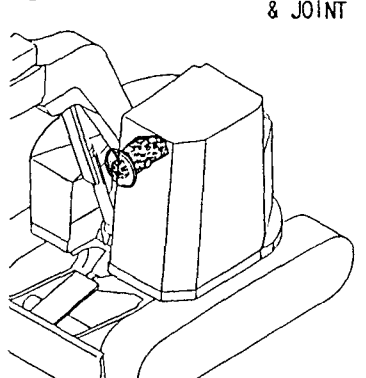


Fig. 49 ポンプ(P. T. O.)  
 HYD. OIL PUMP(P. T. O.)

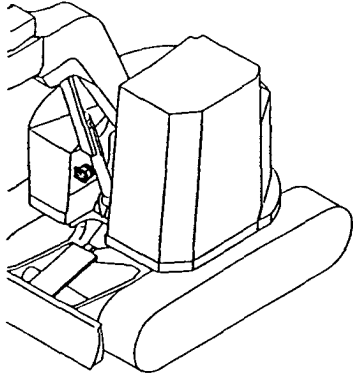


Fig. 53 バケットシリンダ  
 BUCKET CYLINDER

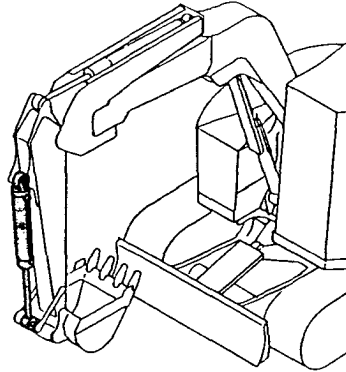


Fig. 57 旋回モータ & ブレーキタイマ  
 TURNING MOTOR & BRAKE TIMER

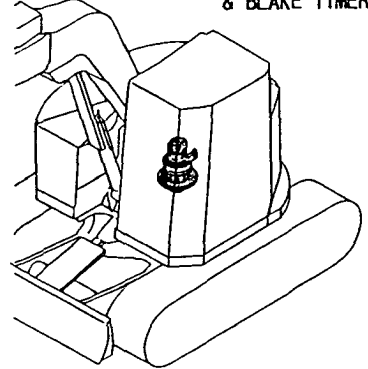


Fig. 50 ファンモータ  
 FAN MOTOR

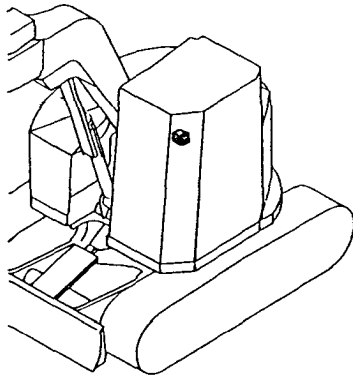


Fig. 54 オフセットシリンダ  
 OFFSET CYLINDER

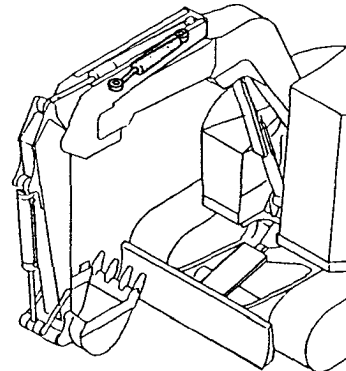


Fig. 58 スイベルジョイント  
 SWIVEL JOINT

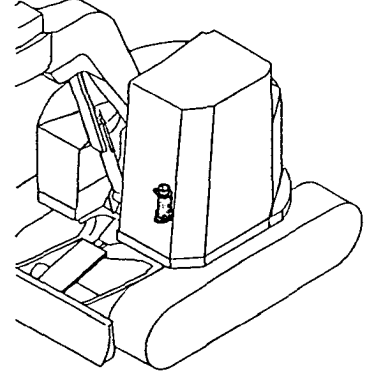


Fig. 51 ブームシリンダ  
 BOOM CYLINDER

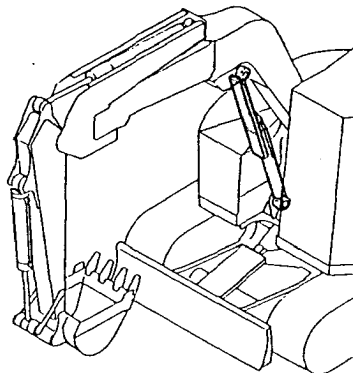


Fig. 55 ブレードシリンダ  
 BLADE CYLINDER

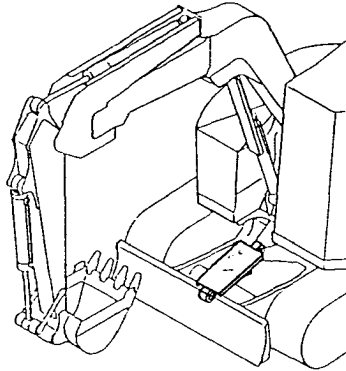


Fig. 59 コントロールバルブ  
 CONTROL VALVE

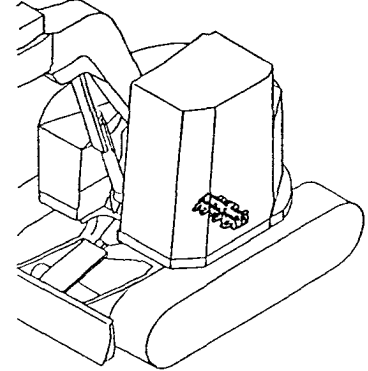


Fig. 52 アームシリンダ  
 ARM CYLINDER

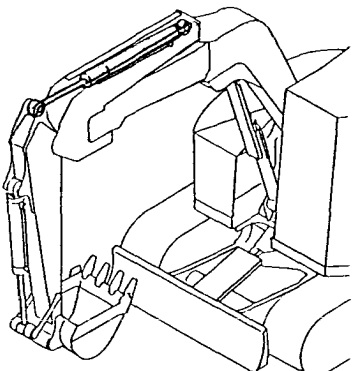


Fig. 56 走行モータ  
 DRIVING MOTOR

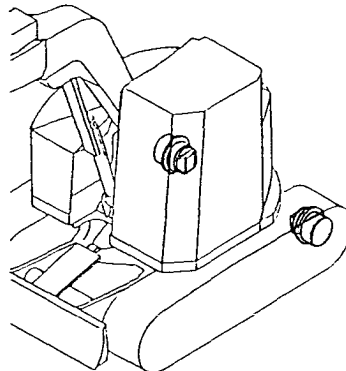


Fig. 60 制御バルブ  
 CONTROL VALVE

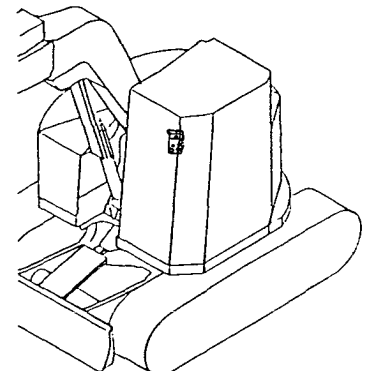


Fig. 61 オフセットバルブ  
 OFF-SET VALVE

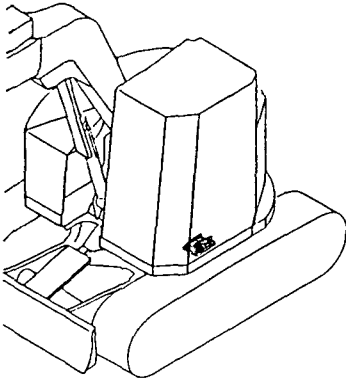


Fig. 65 作動油タンク  
 & オイルクーラ  
 HYD. OIL TANK  
 & LUB. OIL COOLER

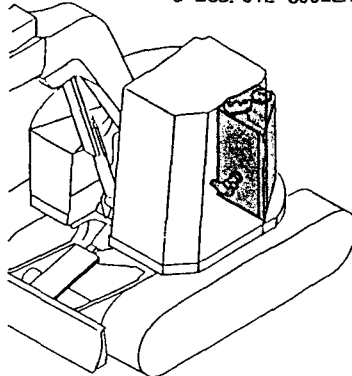


Fig. 69 油圧配管  
 HYD. OIL PIPING

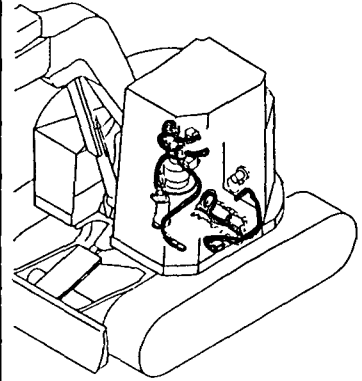


Fig. 62 バルブマウント  
 VALVE MOUNT

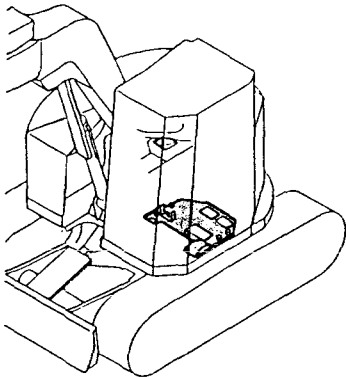


Fig. 66 油圧配管(タンク-ポンプ-バルブ)  
 HYD. OIL PIPING  
 (TANK-PUMP-VALVE)

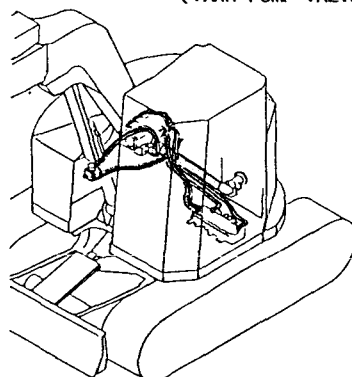


Fig. 70 油圧配管(リターン)  
 HYD. OIL PIPING(RETURN)

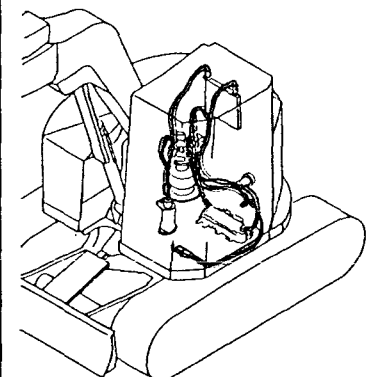


Fig. 63 リモコンバルブ  
 REMOTE CONTROL VALVE

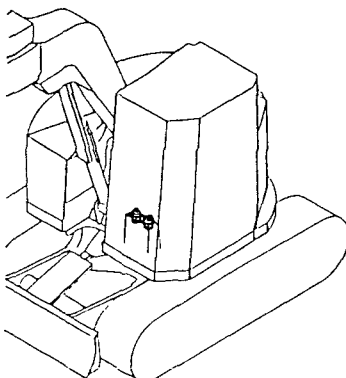


Fig. 67 油圧配管(バルブ-ブーム)  
 HYD. OIL PIPING  
 (VALVE-BOOM)

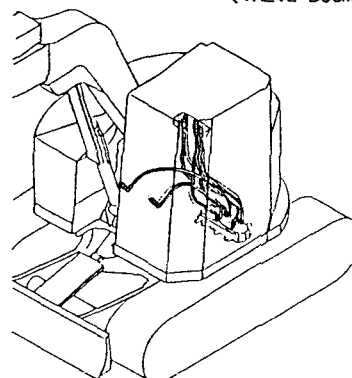


Fig. 71 油圧配管(トラックフレーム)  
 HYD. OIL PIPING  
 (TRACK FRAME)

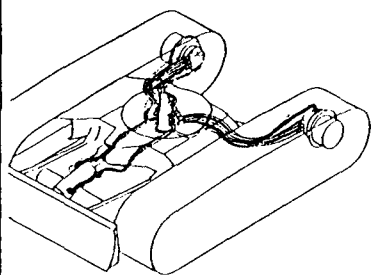


Fig. 64 ロータリバルブ(マルチチェンジ)  
 (オプション)  
 ROTARY VALVE  
 (MULTI CHANGE)(OPTIONAL)

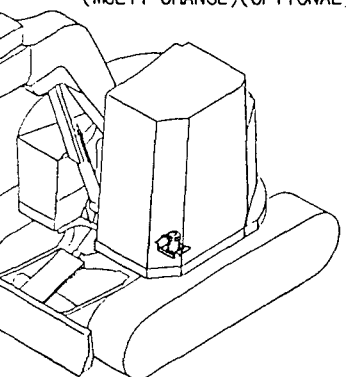


Fig. 68 油圧配管(バルブ-旋回モータ  
 スイベル)  
 HYD. OIL PIPING(VALVE-  
 TURNING MOTOR, SWIVEL)

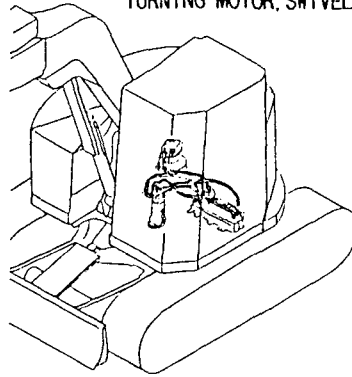
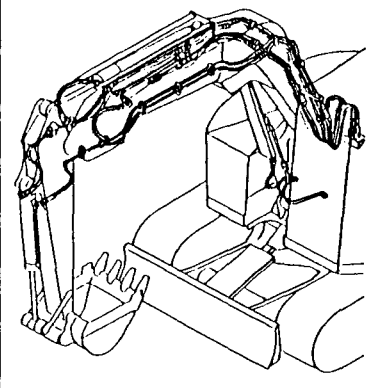


Fig. 72 油圧配管(ブーム)  
 HYD. OIL PIPING(BOOM)



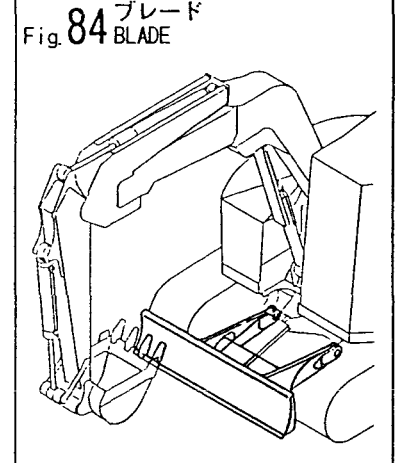
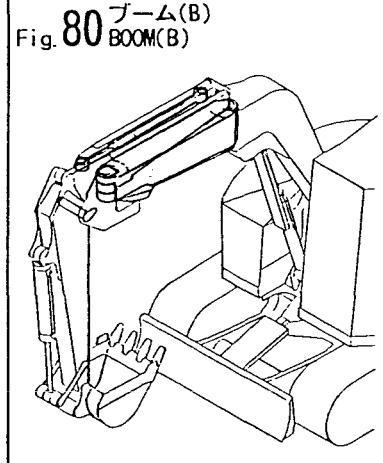
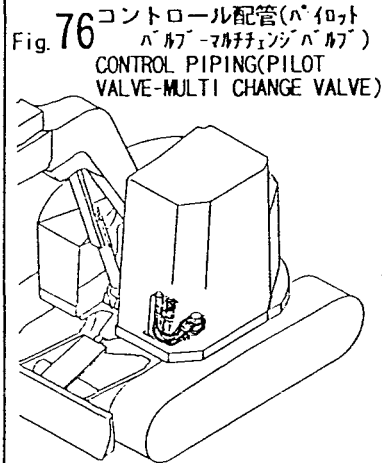
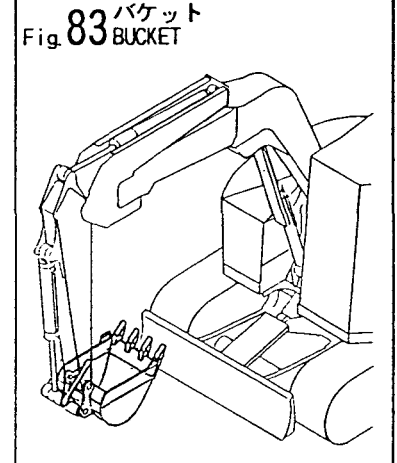
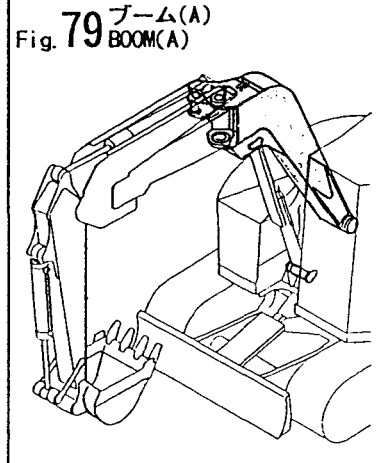
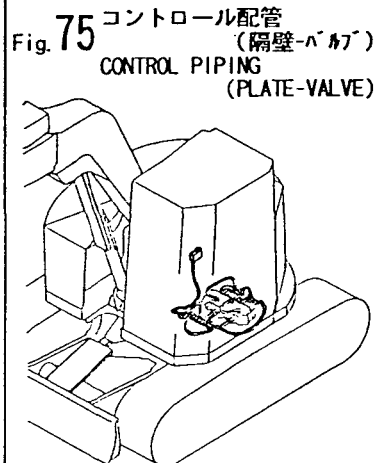
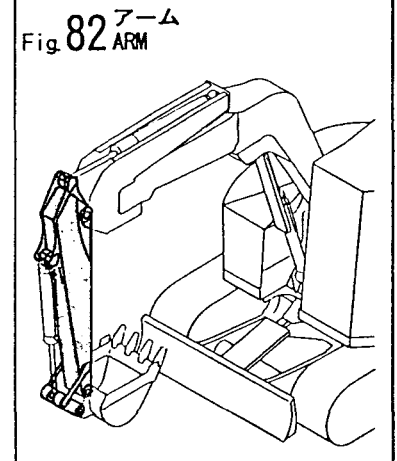
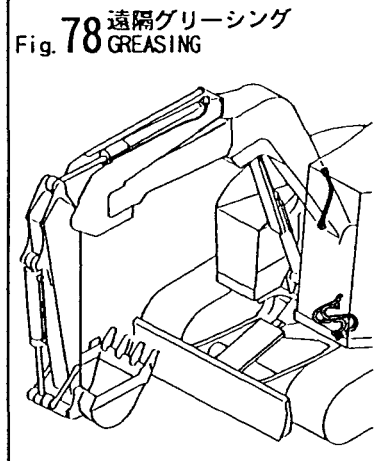
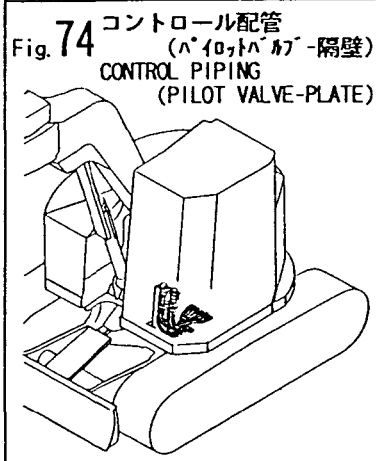
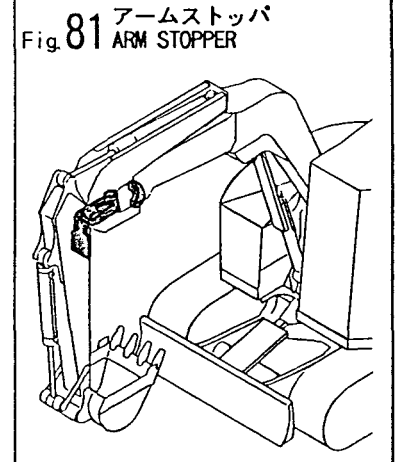
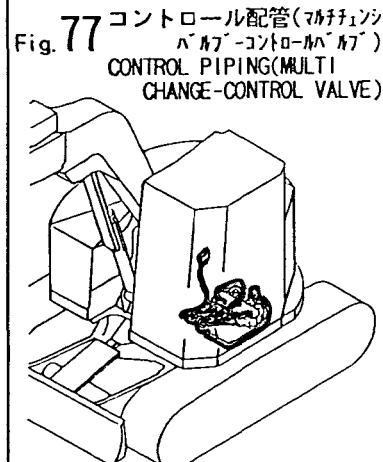
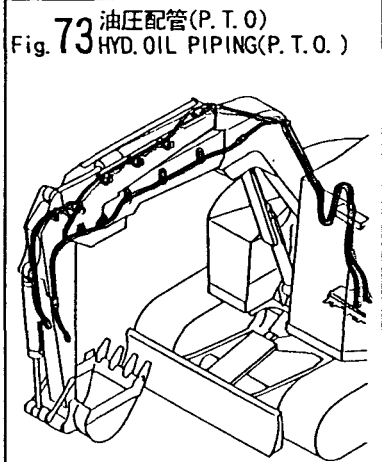
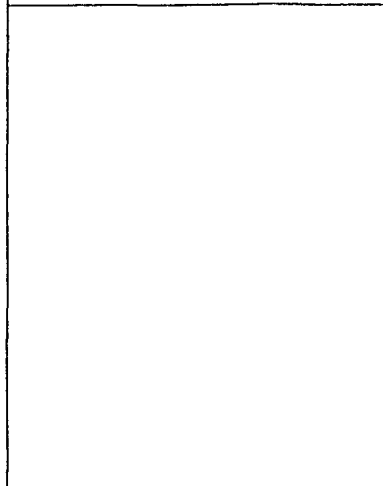
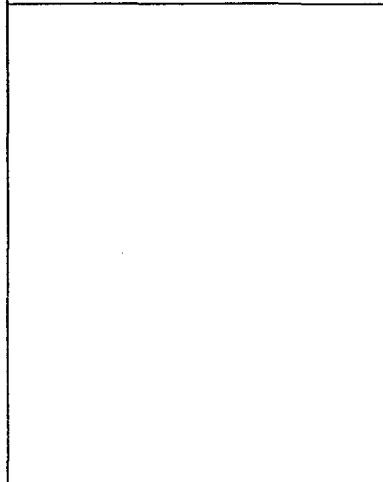
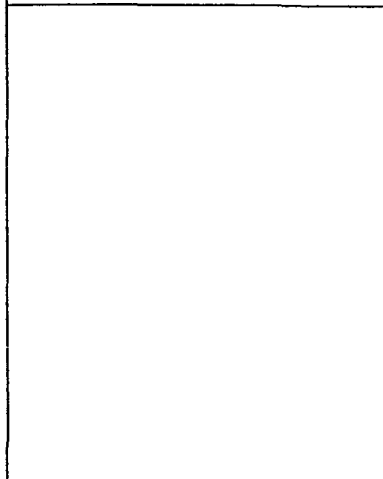
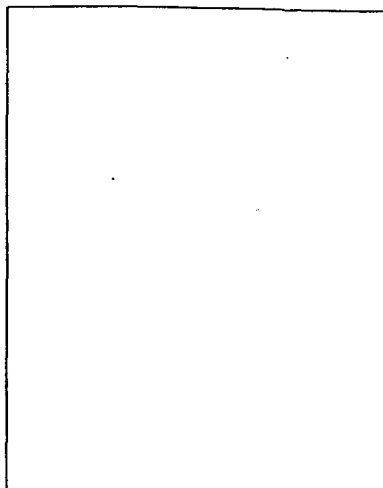
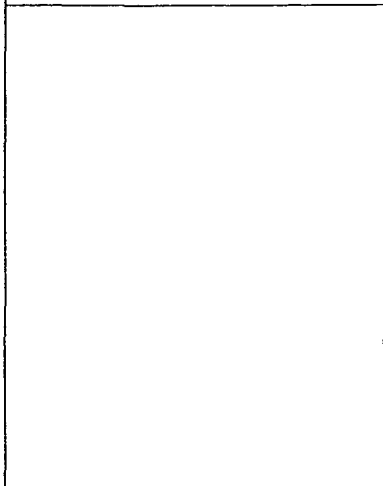
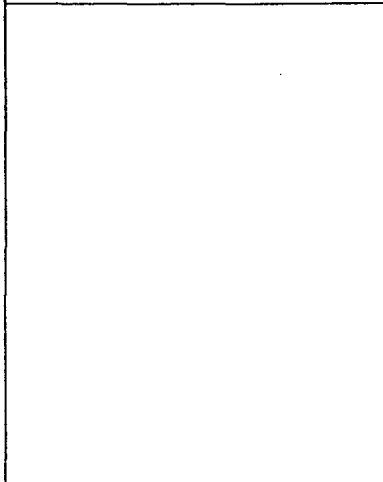
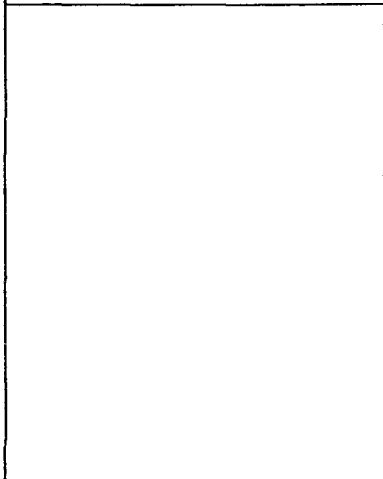
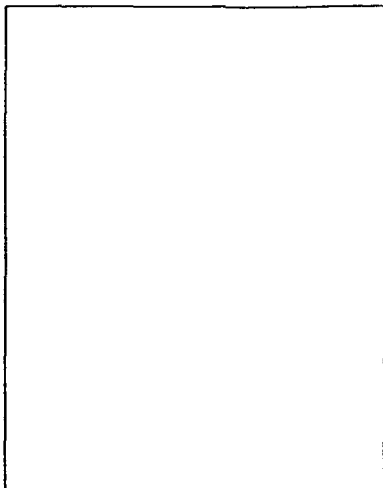
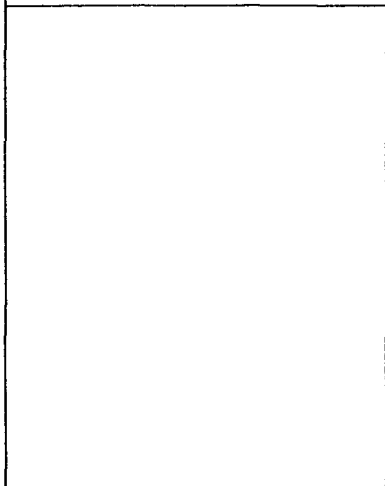
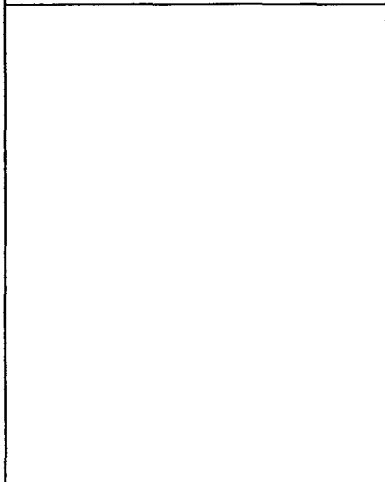
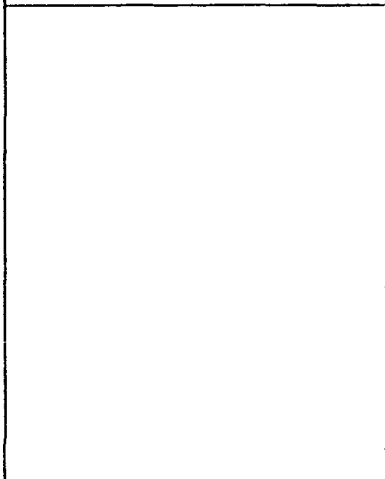
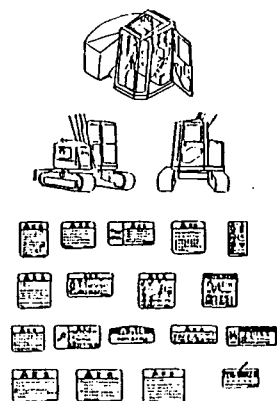
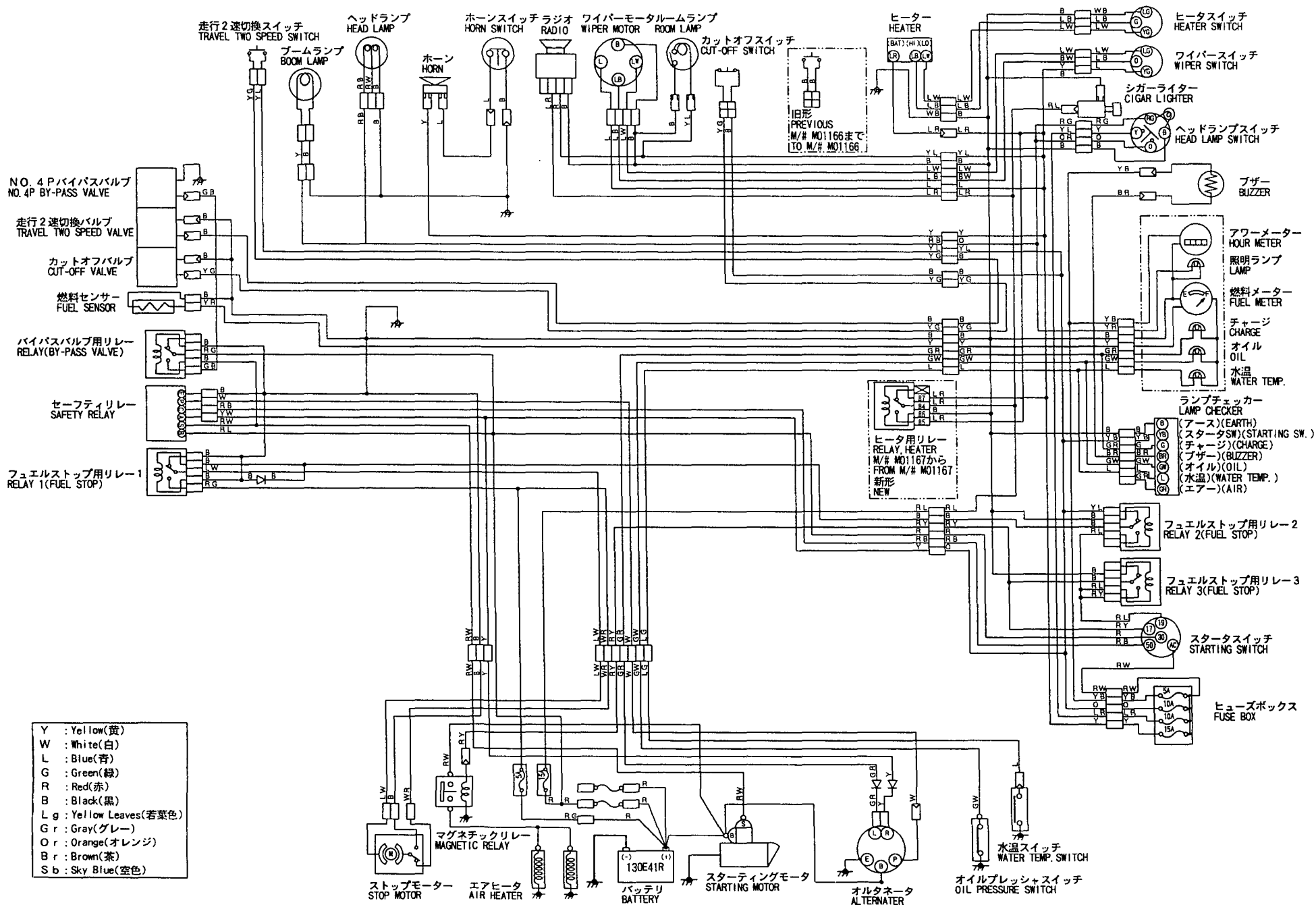


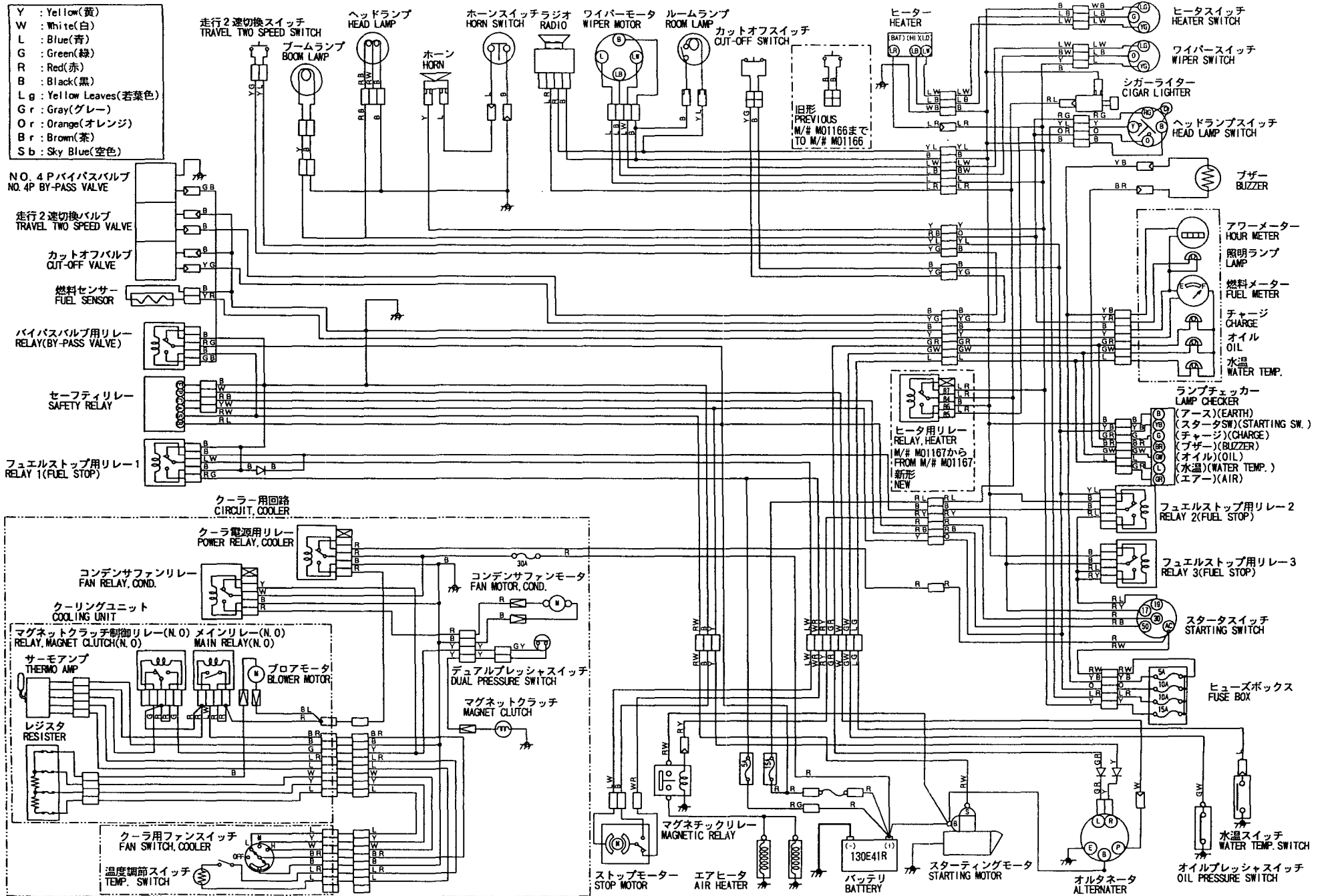
Fig. 85 安全銘板  
SAFTY LABEL



配線図 . . . . . 標準仕様  
 WIRING DIAGRAM . . . . . STANDARD SPEC.



配線図・・・クーラ仕様  
WIRING DIAGRAM・・・COOLER SPEC.

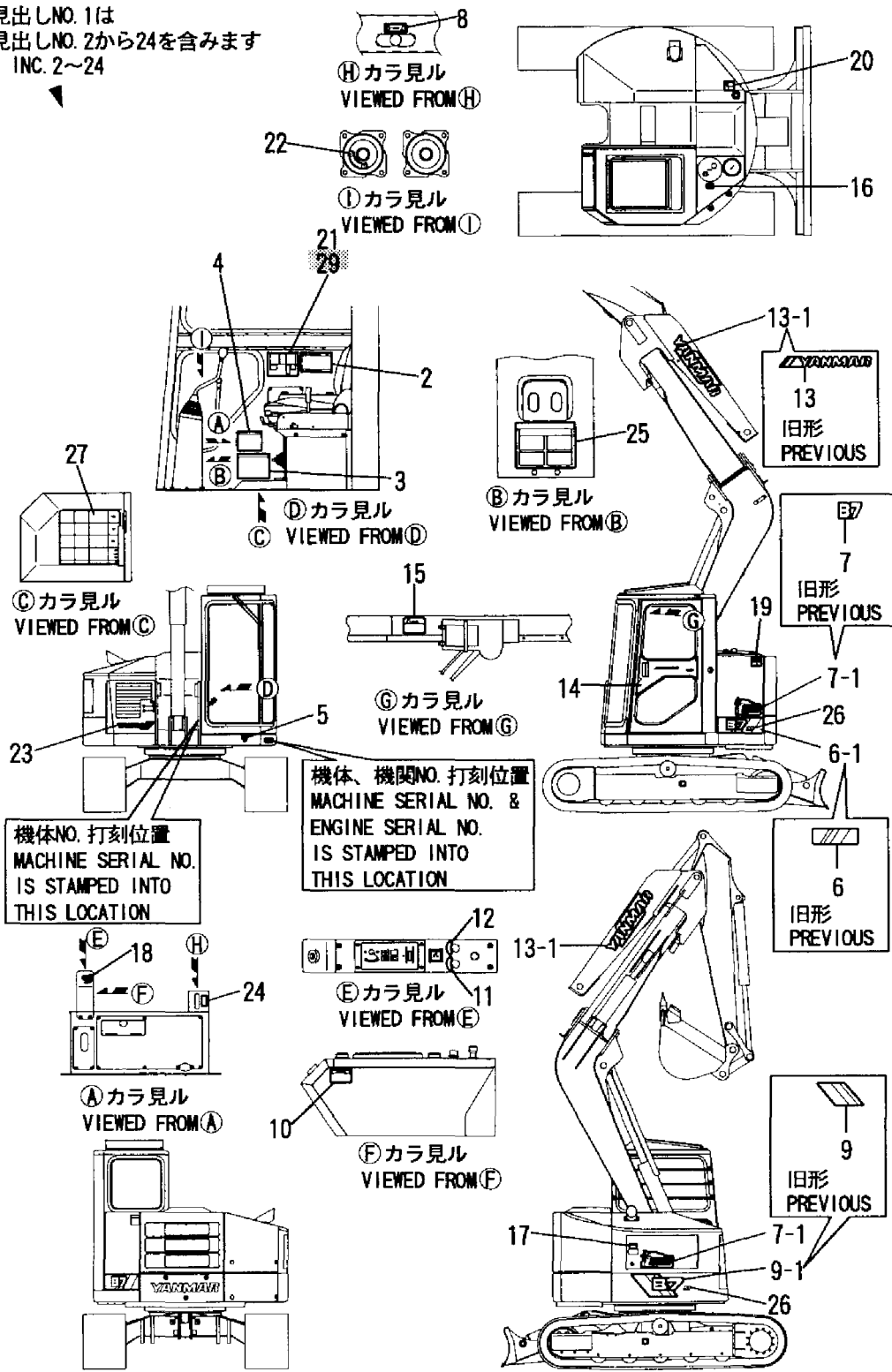




1,1,,772162-03100,, "LABEL ASSY.,CABIN",1,,,,,,,,,,,,,  
1-1,1,,772162-03101,, "LABEL ASSY.,CABIN",1,,,,,,N,,72162303,M00536,,,,,,,,,  
2,2,,172162-03110,, "LABEL,SMALL",1,,,,,,,,,,,,,  
3,2,,172162-03120,, "LABEL,FEED WATER",1,,,,,,,,,,,,,  
4,2,,172162-03130,, "LABEL,GREASE FEED",1,,,,,,,,,,,,,  
5,2,,172146-03140,, LABEL,1,,,,,,,,,,,,,  
6,2,,172162-03140,, "LABEL A,STRIPE",1,,,,,,,,,,,,,  
6-1,2,,172162-03141,, "LABEL A,STRIPE",1,,,,,,S,,72162303,M00536,,,,,,,,,  
7,2,,172162-03150,, "LABEL " "B7" """,2,,,,,,,,,,,,,  
7-1,2,,172162-03260,, LABEL,2,,,,,,S,,72162303,M00536,,,,,,,,,  
7-2,2,,172162-03261,, LABEL,2,,,,,,R,,72165253,M00678,,,,,,,,,  
8,2,,172519-03150,, "LABEL, ACCEL",1,,,,,,,,,,,,,  
9,2,,172162-03160,, "LABEL B,STRIPE",1,,,,,,,,,,,,,  
9-1,2,,172162-03161,, "LABEL(B), STRIPE",1,,,,,,S,,72162303,M00536,,,,,,,,,  
10,2,,172141-03170,, "LABEL, RESTART",1,,,,,,,,,,,,,  
11,2,,172162-03180,, "LABEL,HEATER SWITCH",1,,,,,,,,,,,,,  
12,2,,172162-03190,, "LABEL,WIPER SWITCH",1,,,,,,,,,,,,,  
13,2,,172162-03200,, "LABEL,BOOM",2,,,,,,,,,,,,,  
13-1,2,,172162-03201,, LABEL,2,,,,,,S,,72162303,M00536,,,,,,,,,  
13-2,2,,172162-03202,, "LABEL,BOOM",2,,,,,,R,,72165253,M00678,,,,,,,,,  
14,2,,172162-03220,, "LABEL,CAB",1,,,,,,,,,,,,,  
14-1,2,,172162-03221,, "LABEL,CAB",1,,,,,,S,,72162303,M00536,,,,,,,,,  
14-2,2,,172162-03222,, "LABEL,CAB",1,,,,,,R,,72165253,M00678,,,,,,,,,  
15,2,,172162-03240,, "LABEL,WIPER",1,,,,,,,,,,,,,  
16,2,,172141-03250,, "LABEL, OILING",1,,,,,,,,,,,,,  
16-1,2,,172155-03310,, "LABEL, OILING",1,,,,,,N,,72165295,M00720,,,,,,,,,  
17,2,,172519-03290,, "LABEL, ENG.COVER",1,,,,,,,,,,,,,  
18,2,,172141-03360,, "LABEL, START SWITCH",1,,,,,,,,,,,,,  
19,2,,172131-03670,, "LABEL, DANGER",1,,,,,,,,,,,,,  
20,2,,933112-52400,, "LABEL, FUEL",1,,,,,,,,,,,,,  
21,2,,172162-03250,, "LABEL,PATTERN A",1,,,,,,,,,,,,,  
22,2,,172142-03350,, "LABEL AB",1,,,,,,Z,,72162329,M00621,,,,,,,,,  
23,2,,172519-03680,, "LABEL,BRAND",1,,,,,,W,,72162458,M01049,,,,,,,,,  
24,2,,172511-03250,, "LABEL, LEVER LOCK",1,,,,,,W,,72183127,M01098,,,,,,,,,  
25,1,,172151-03550,, "LABEL,PATTERN B",1,,,,,,1,,,,,,,,,  
25-1,1,,172165-03471,, LABEL,1,,,,,,S,1,72162450,M00921,,,,,,,,,  
26,1,,172141-03710,, "LABEL, MULTI",2,,,,,,Z,1,72162399,M00747,,,,,,,,,  
27,1,,172151-03530,, "LABEL,MULTI-CHANGE",1,,,,,,Z,1,72162394,M00747,,,,,,,,,  
29,1,,172162-03360,, "LABEL,PATTERN B",1,,,,,,W,,72176167,\*1995.10,,,,,,,,,I

Fig. 1 銘板(キャビン)(トリム無し)  
 LABEL (CABIN)(NOT TRIM)

見出しNO. 1は  
 見出しNO. 2から24を含みます  
 1 INC. 2~24



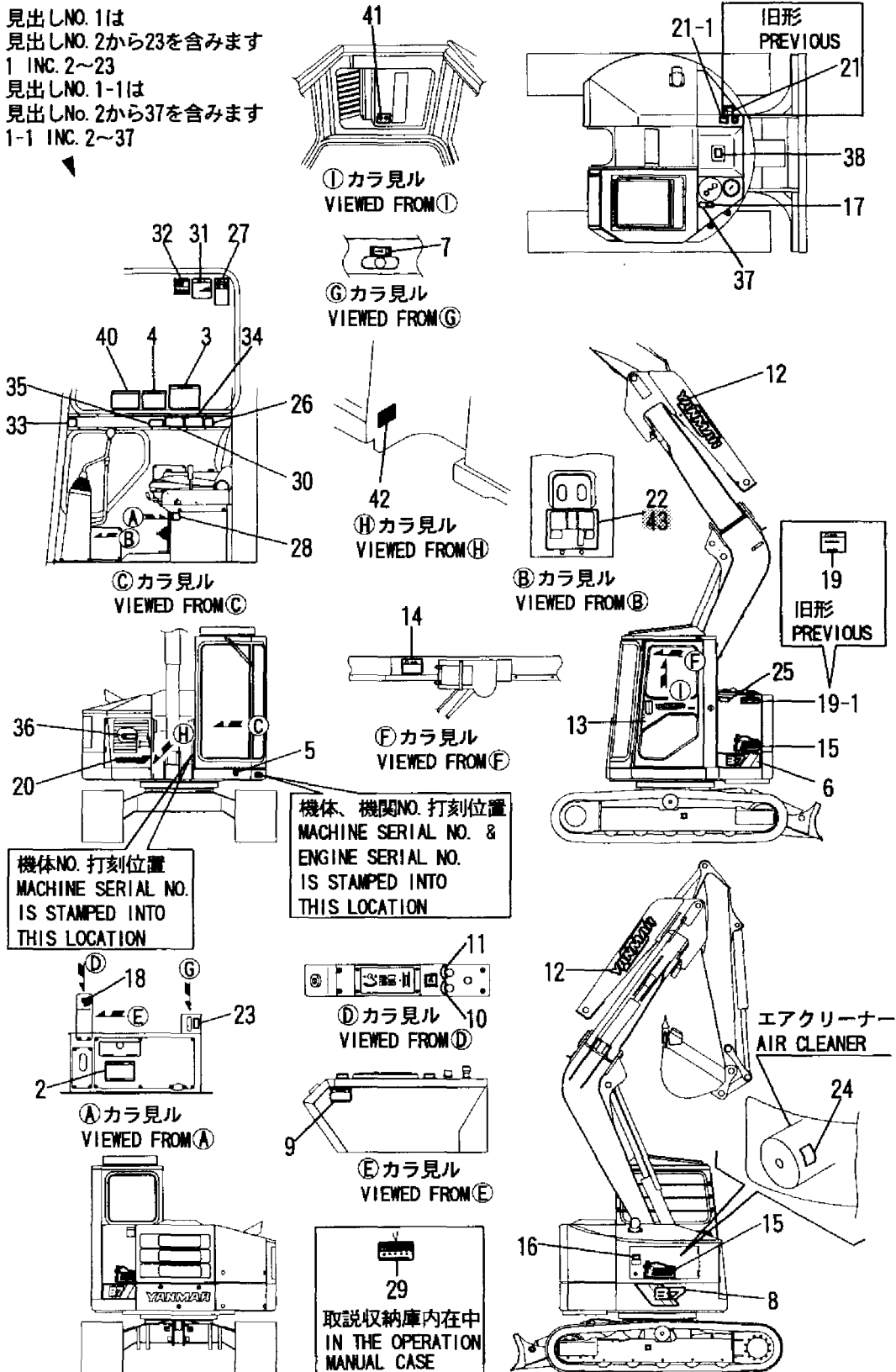
が今回変更した箇所です。  
 PART HAS BEEN CHANGED.

1,1,,772162-03101,, "LABEL ASSY.,CABIN",1,,,,,,,,,,,,,  
1-1,1,,772162-03102,, LABEL,1,,,,,,N,72164368,\*1995.06,,,,,  
2,2,,172162-03110,, "LABEL,SMALL",1,,,,,,,,,,,,,  
3,2,,172162-03120,, "LABEL,FEED WATER",1,,,,,,,,,,,,,  
4,2,,172162-03130,, "LABEL,GREASE FEED",1,,,,,,,,,,,,,  
5,2,,172146-03140,, LABEL,1,,,,,,,,,,,,,  
6,2,,172162-03141,, "LABEL A,STRIPE",1,,,,,,,,,,,,,  
7,2,,172519-03150,, "LABEL, ACCEL",1,,,,,,,,,,,,,  
8,2,,172162-03161,, "LABEL(B), STRIPE",1,,,,,,,,,,,,,  
9,2,,172141-03170,, "LABEL, RESTART",1,,,,,,,,,,,,,  
10,2,,172162-03180,, "LABEL,HEATER SWITCH",1,,,,,,,,,,,,,  
11,2,,172162-03190,, "LABEL,WIPER SWITCH",1,,,,,,,,,,,,,  
12,2,,172162-03202,, "LABEL,BOOM",2,,,,,,,,,,,,,  
13,2,,172162-03222,, "LABEL,CAB",1,,,,,,,,,,,,,  
14,2,,172162-03240,, "LABEL,WIPER",1,,,,,,,,,,,,,  
14-1,2,,172162-03241,, LABEL,1,,,,,,S,72164368,\*1995.06,,,,,  
15,2,,172162-03261,, LABEL,2,,,,,,,,,,,,,  
16,2,,172519-03290,, "LABEL, ENG.COVER",1,,,,,,,,,,,,,  
16-1,2,,172519-04180,, "LABEL,WARNING",1,,,,,,S,72164368,\*1995.06,,,,,  
17,2,,172155-03310,, "LABEL, OILING",1,,,,,,,,,,,,,  
18,2,,172141-03360,, "LABEL, START SWITCH",1,,,,,,,,,,,,,  
19,2,,172131-03670,, "LABEL, DANGER",1,,,,,,,,,,,,,  
19-1,2,,172164-03560,, LABEL,1,,,,,,S,72164368,\*1995.06,,,,,  
20,2,,172519-03680,, "LABEL,BRAND",1,,,,,,,,,,,,,  
21,2,,933112-52400,, "LABEL, FUEL",1,,,,,,,,,,,,,  
21-1,2,,172183-03250,, LABEL,1,,,,,,S,72164368,\*1995.06,,,,,  
22,2,,172162-03250,, "LABEL,PATTERN A",1,,,,,,,,,,,,,  
23,2,,172511-03250,, "LABEL, LEVER LOCK",1,,,,,,,,,,,,,  
24,2,,172141-03202,, "LABEL,CAUTION",1,,,,,,W,72162469,\*1995.06,,,,,  
25,2,,172142-03302,, "LABEL,CAUTION",1,,,,,,W,72164368,\*1995.06,,,,,  
26,2,,172162-03350,, LABEL,1,,,,,,W,72164368,\*1995.06,,,,,  
27,2,,172964-03370,, LABEL,1,,,,,,W,72164368,\*1995.06,,,,,  
28,2,,172964-03390,, "LABEL,WARNING",1,,,,,,W,72164368,\*1995.06,,,,,  
29,2,,172964-03480,, LABEL,1,,,,,,W,72164368,\*1995.06,,,,,  
30,2,,172164-03500,, LABEL,1,,,,,,W,72164368,\*1995.06,,,,,  
31,2,,172164-03510,, LABEL,1,,,,,,W,72164368,\*1995.06,,,,,  
32,2,,172164-03520,, "LABEL,DANGER",1,,,,,,W,72164368,\*1995.06,,,,,  
33,2,,172164-03530,, "LABEL,WARNING",1,,,,,,W,72164368,\*1995.06,,,,,  
34,2,,172164-03540,, LABEL,1,,,,,,W,72164368,\*1995.06,,,,,  
35,2,,172964-03610,, "LABEL A",1,,,,,,W,72164368,\*1995.06,,,,,  
36,2,,172165-03661,, "LABEL,DANGER",1,,,,,,W,72164368,\*1995.06,,,,,  
37,2,,172519-04290,, "LABEL,WARNING",1,,,,,,W,72164368,\*1995.06,,,,,  
38,1,,172519-04300,, LABEL,1,,,,,,W,72164368,\*1995.06,,,,,  
40,1,,172165-03471,, LABEL,1,,,,,,1,,,,,,,,,,,,,  
41,1,,172162-03500,, LABEL,1,,,,,,2,,,,,,,,,,,,,  
42,1,,172162-03510,, "LABEL, CAUTION",1,,,,,,2,,,,,,,,,,,,,  
43,1,,172162-03360,, "LABEL,PATTERN B",1,,,,,,W,72176167,\*1995.10,,,,,,I

発行No. 000Y00K2761-1  
 更新年月: 1998. 05  
 REVISED: MAY, 1998

## Fig. 2 銘板(キャビン)(トリム付き) LABEL (CABIN)(WITH TRIM)

見出しNO. 1は  
 見出しNO. 2から23を含みます  
 1 INC. 2~23  
 見出しNO. 1-1は  
 見出しNo. 2から37を含みます  
 1-1 INC. 2~37



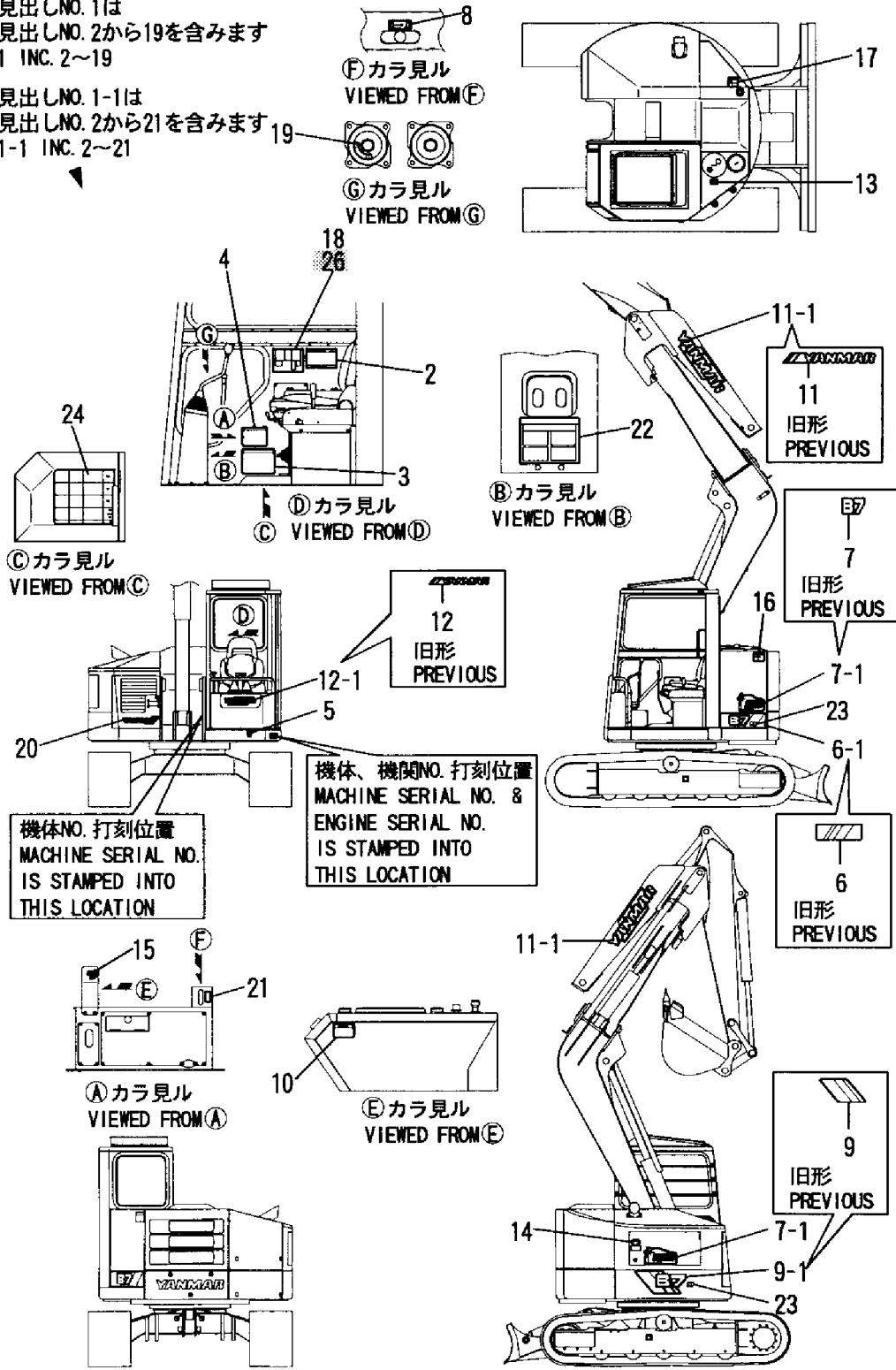
が今回変更した箇所です。  
 PART HAS BEEN CHANGED.

1,1,,772162-03110,, "LABEL ASSY.,CANOPY",,1,,,,,,,,,,,,,  
1-1,1,,772162-03111,, "LABEL ASSY.,CANOPY",,1,,,,,N,,,,,72162303,M00536,,,,,,  
2,2,,172162-03110,, "LABEL,SMALL",,1,,,,,,,,,,,,,  
3,2,,172162-03120,, "LABEL,FEED WATER",,1,,,,,,,,,,,,,  
4,2,,172162-03130,, "LABEL,GREASE FEED",,1,,,,,,,,,,,,,  
5,2,,172146-03140,, LABEL,,1,,,,,,,,,,,,,  
6,2,,172162-03140,, "LABEL A,STRIPE",,1,,,,,,,,,,,,,  
6-1,2,,172162-03141,, "LABEL A,STRIPE",,1,,,,,S,,,,,72162303,M00536,,,,,,  
7,2,,172162-03150,, "LABEL " "B7" """,,2,,,,,,,,,,,,,  
7-1,2,,172162-03260,, LABEL,,2,,,,,S,,,,,72162303,M00536,,,,,,  
7-2,2,,172162-03261,, LABEL,,2,,,,,R,,,,,72165253,M00678,,,,,,  
8,2,,172519-03150,, "LABEL, ACCEL",,1,,,,,,,,,,,,,  
9,2,,172162-03160,, "LABEL B,STRIPE",,1,,,,,,,,,,,,,  
9-1,2,,172162-03161,, "LABEL(B), STRIPE",,1,,,,,S,,,,,72162303,M00536,,,,,,  
10,2,,172141-03170,, "LABEL, RESTART",,1,,,,,,,,,,,,,  
11,2,,172162-03200,, "LABEL,BOOM",,2,,,,,,,,,,,,,  
11-1,2,,172162-03201,, LABEL,,2,,,,,S,,,,,72162303,M00536,,,,,,  
11-2,2,,172162-03202,, "LABEL,BOOM",,2,,,,,R,,,,,72165253,M00678,,,,,,  
12,2,,172162-03230,, "LABEL,FRONT",,1,,,,,,,,,,,,,  
12-1,2,,172162-03231,, LABEL,,1,,,,,S,,,,,72162303,M00536,,,,,,  
12-2,2,,172162-03232,, "LABEL,FRONT",,1,,,,,R,,,,,72165253,M00678,,,,,,  
13,2,,172141-03250,, "LABEL, OILING",,1,,,,,,,,,,,,,  
13-1,2,,172155-03310,, "LABEL, OILING",,1,,,,,N,,,,,72165295,M00720,,,,,,  
14,2,,172519-03290,, "LABEL, ENG.COVER",,1,,,,,,,,,,,,,  
15,2,,172141-03360,, "LABEL, START SWITCH",,1,,,,,,,,,,,,,  
16,2,,172131-03670,, "LABEL, DANGER",,1,,,,,,,,,,,,,  
17,2,,933112-52400,, "LABEL, FUEL",,1,,,,,,,,,,,,,  
18,2,,172162-03250,, "LABEL,PATTERN A",,1,,,,,,,,,,,,,  
19,2,,172142-03350,, "LABEL AB",,1,,,,,Z,,,,,72162329,M00621,,,,,,  
20,2,,172519-03680,, "LABEL,BRAND",,1,,,,,W,,,,,72162458,M01049,,,,,,  
21,2,,172511-03250,, "LABEL, LEVER LOCK",,1,,,,,W,,,,,72183127,M01098,,,,,,  
22,1,,172151-03550,, "LABEL,PATTERN B",,1,,,,,1,,,,,,,,,,,,,  
22-1,1,,172165-03471,, LABEL,,1,,,,,S,1,,72162450,M00921,,,,,,  
23,1,,172141-03710,, "LABEL, MULTI",,2,,,,,Z,1,,72162399,M00747,,,,,,  
24,1,,172151-03530,, "LABEL,MULTI-CHANGE",,1,,,,,Z,1,,72162394,M00747,,,,,,  
26,1,,172162-03360,, "LABEL,PATTERN B",,1,,,,,W,,,,,72176167,\*1995.10,,,,,,I

Fig. 3 銘板(キャノピ)(トリム無シ)  
 LABEL (CANOPY)(NOT TRIM)

見出しNO. 1は  
 見出しNO. 2から19を含みます  
 1 INC. 2~19

見出しNO. 1-1は  
 見出しNO. 2から21を含みます  
 1-1 INC. 2~21



が今回変更した箇所です。  
 PART HAS BEEN CHANGED.

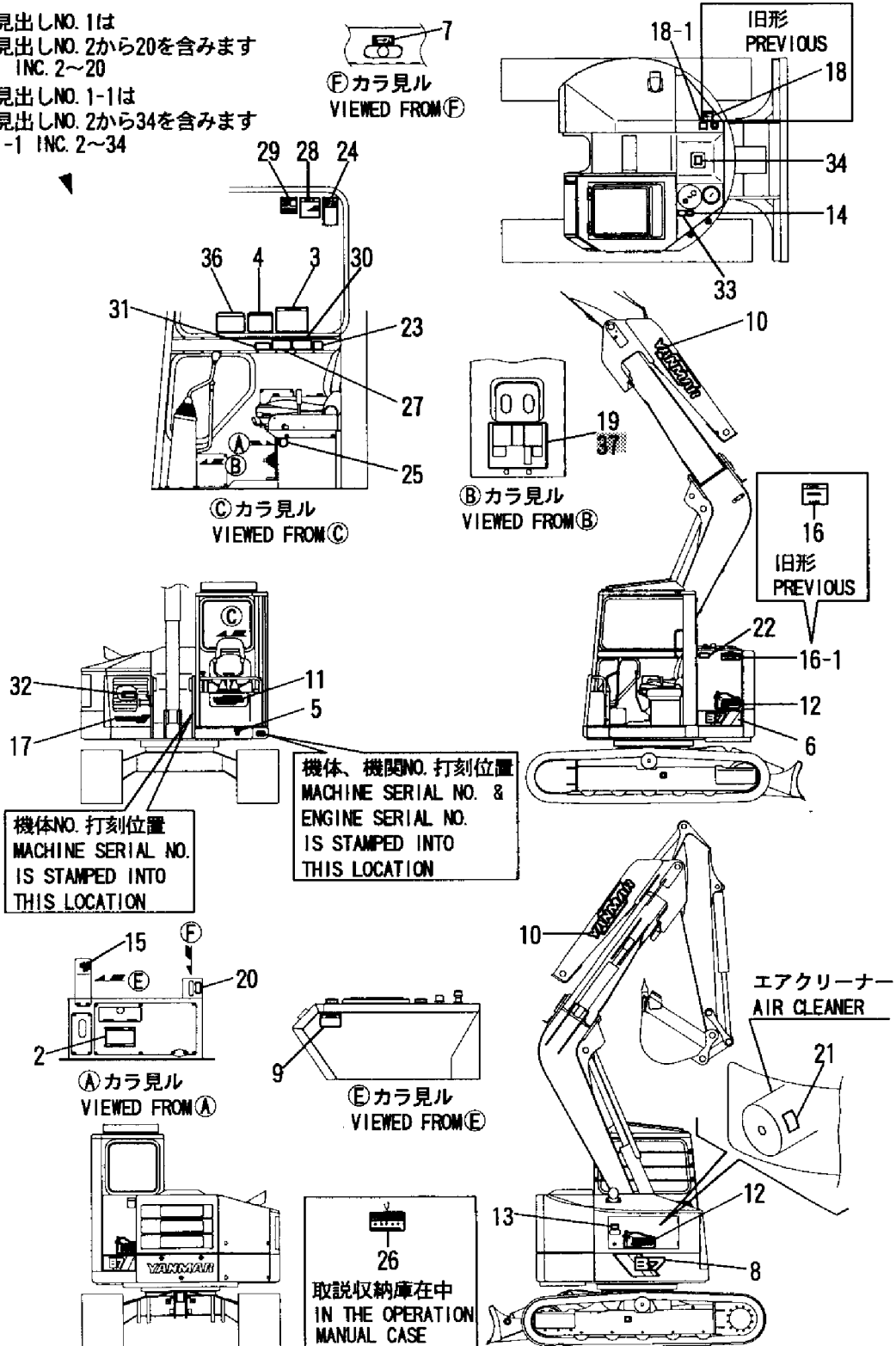
1,1,,772162-03111,, "LABEL ASSY.,CANOPY",,1,,,,,,,,,,,,,  
1-1,1,,772162-03112,, LABEL,,1,,,,,N,,,,,72164368,\*1995.06,,,,,  
2,2,,172162-03110,, "LABEL,SMALL",,1,,,,,,,,,,,,,  
3,2,,172162-03120,, "LABEL,FEED WATER",,1,,,,,,,,,,,,,  
4,2,,172162-03130,, "LABEL,GREASE FEED",,1,,,,,,,,,,,,,  
5,2,,172146-03140,, LABEL,,1,,,,,,,,,,,,,  
6,2,,172162-03141,, "LABEL A,STRIPE",,1,,,,,,,,,,,,,  
7,2,,172519-03150,, "LABEL, ACCEL",,1,,,,,,,,,,,,,  
8,2,,172162-03161,, "LABEL(B), STRIPE",,1,,,,,,,,,,,,,  
9,2,,172141-03170,, "LABEL, RESTART",,1,,,,,,,,,,,,,  
10,2,,172162-03202,, "LABEL,BOOM",,2,,,,,,,,,,,,,  
11,2,,172162-03232,, "LABEL,FRONT",,1,,,,,,,,,,,,,  
12,2,,172162-03261,, LABEL,,2,,,,,,,,,,,,,  
13,2,,172519-03290,, "LABEL, ENG.COVER",,1,,,,,,,,,,,,,  
13-1,2,,172519-04180,, "LABEL,WARNING",,1,,,,,S,,,,,72164368,\*1995.06,,,,,  
14,2,,172155-03310,, "LABEL, OILING",,1,,,,,,,,,,,,,  
15,2,,172141-03360,, "LABEL, START SWITCH",,1,,,,,,,,,,,,,  
16,2,,172131-03670,, "LABEL, DANGER",,1,,,,,,,,,,,,,  
16-1,2,,172164-03560,, LABEL,,1,,,,,S,,,,,72164368,\*1995.06,,,,,  
17,2,,172519-03680,, "LABEL,BRAND",,1,,,,,,,,,,,,,  
18,2,,933112-52400,, "LABEL, FUEL",,1,,,,,,,,,,,,,  
18-1,2,,172183-03250,, LABEL,,1,,,,,S,,,,,72164368,\*1995.06,,,,,  
19,2,,172162-03250,, "LABEL,PATTERN A",,1,,,,,,,,,,,,,  
20,2,,172511-03250,, "LABEL, LEVER LOCK",,1,,,,,,,,,,,,,  
21,2,,172141-03202,, "LABEL,CAUTION",,1,,,,,W,,,,,72162469,\*1995.06,,,,,  
22,2,,172142-03302,, "LABEL,CAUTION",,1,,,,,W,,,,,72164368,\*1995.06,,,,,  
23,2,,172162-03350,, LABEL,,1,,,,,W,,,,,72164368,\*1995.06,,,,,  
24,2,,172964-03370,, LABEL,,1,,,,,W,,,,,72164368,\*1995.06,,,,,  
25,2,,172964-03390,, "LABEL,WARNING",,1,,,,,W,,,,,72164368,\*1995.06,,,,,  
26,2,,172964-03480,, LABEL,,1,,,,,W,,,,,72164368,\*1995.06,,,,,  
27,2,,172164-03500,, LABEL,,1,,,,,W,,,,,72164368,\*1995.06,,,,,  
28,2,,172164-03510,, LABEL,,1,,,,,W,,,,,72164368,\*1995.06,,,,,  
29,2,,172164-03520,, "LABEL,DANGER",,1,,,,,W,,,,,72164368,\*1995.06,,,,,  
30,2,,172164-03540,, LABEL,,1,,,,,W,,,,,72164368,\*1995.06,,,,,  
31,2,,172964-03610,, "LABEL A",,1,,,,,W,,,,,72164368,\*1995.06,,,,,  
32,2,,172165-03661,, "LABEL,DANGER",,1,,,,,W,,,,,72164368,\*1995.06,,,,,  
33,2,,172519-04290,, "LABEL,WARNING",,1,,,,,W,,,,,72164368,\*1995.06,,,,,  
34,2,,172519-04300,, LABEL,,1,,,,,W,,,,,72164368,\*1995.06,,,,,  
36,1,,172165-03471,, LABEL,,1,,,,,1,,,,,,,,,,,,,  
37,1,,172162-03360,, "LABEL,PATTERN B",,1,,,,,W,,,,,72176167,\*1995.10,,,,,,I

発行No. 000Y00K2761-1  
 更新年月: 1996. 05  
 REVISED: MAY, 1996

Fig. 4 銘板(キャノピ)(トリム付き)  
 LABEL (CANOPY)(WITH TRIM)

見出しNO. 1は  
 見出しNO. 2から20を含みます  
 1 INC. 2~20

見出しNO. 1-1は  
 見出しNO. 2から34を含みます  
 1-1 INC. 2~34



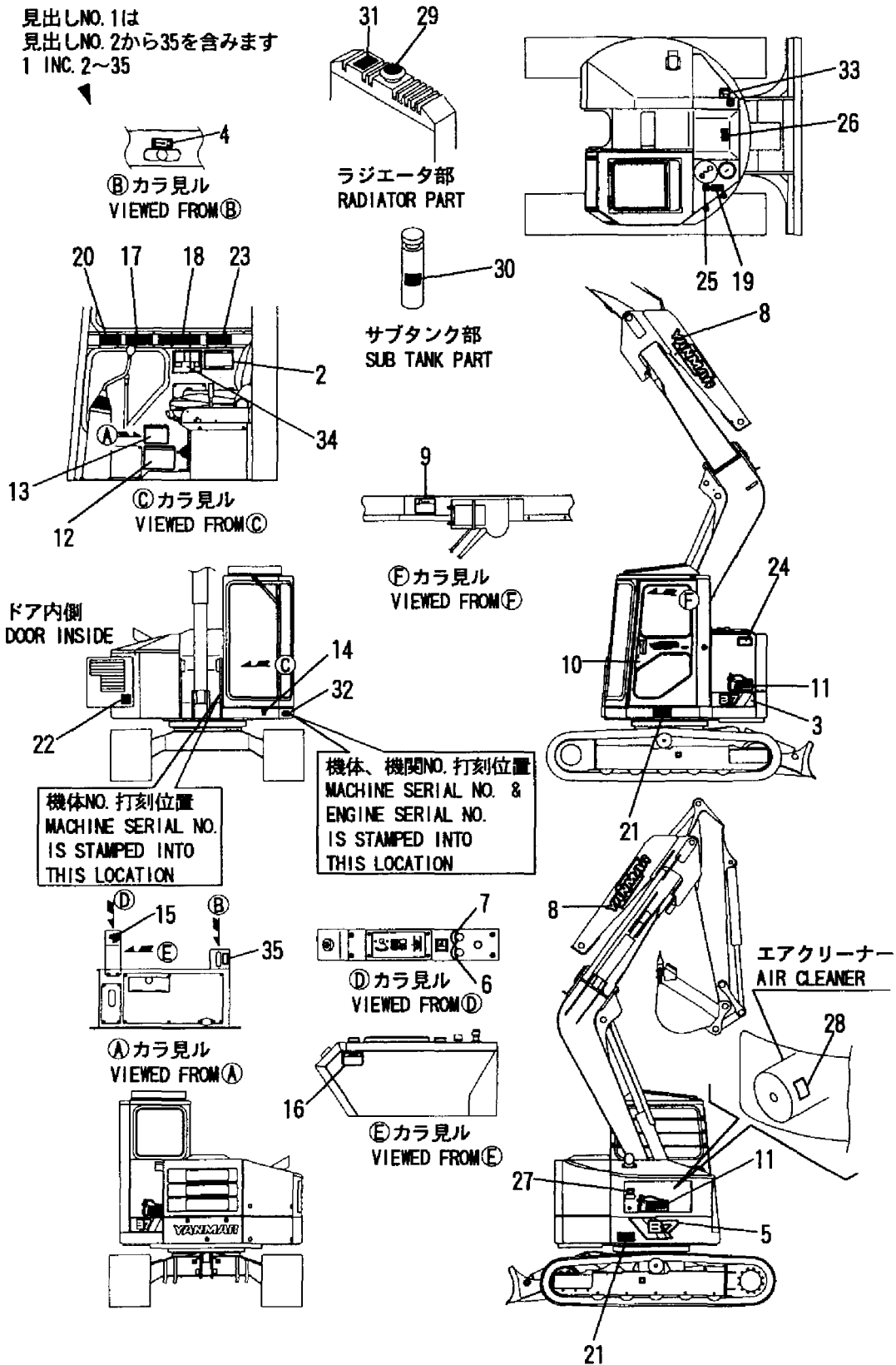
が今回変更した箇所です。  
 PART HAS BEEN CHANGED.



1,1,,772162-03170,,LABEL,,,1,,,,,,,,,,,,,,,,,,,,,  
2,2,,172162-03090,,,"LABEL, SPECIFICATION",,,1,,,,,,,,,,,,,,,,,,,,,  
3,2,,172162-03141,,,"LABEL A, STRIPE",,,1,,,,,,,,,,,,,,,,,,,,,  
4,2,,172519-03150,,,"LABEL, ACCEL",,,1,,,,,,,,,,,,,,,,,,,,,  
5,2,,172162-03161,,,"LABEL(B), STRIPE",,,1,,,,,,,,,,,,,,,,,,,,,  
6,2,,172162-03180,,,"LABEL,HEATER SWITCH",,,1,,,,,,,,,,,,,,,,,,,,,  
7,2,,172162-03190,,,"LABEL,WIPER SWITCH",,,1,,,,,,,,,,,,,,,,,,,,,  
8,2,,172162-03202,,,"LABEL,BOOM",,,2,,,,,,,,,,,,,,,,,,,,,  
9,2,,172162-03210,,,"LABEL,WIPER",,,1,,,,,,,,,,,,,,,,,,,,,  
10,2,,172162-03222,,,"LABEL,CAB",,,1,,,,,,,,,,,,,,,,,,,,,  
11,2,,172162-03261,,,"LABEL",,,2,,,,,,,,,,,,,,,,,,,,,  
12,2,,172162-03270,,,"LABEL",,,1,,,,,,,,,,,,,,,,,,,,,  
13,2,,172162-03280,,,"LABEL",,,1,,,,,,,,,,,,,,,,,,,,,  
14,2,,172146-03320,,,"LABEL,GREASE E",,,1,,,,,,,,,,,,,,,,,,,,,  
15,2,,172141-03360,,,"LABEL, START SWITCH",,,1,,,,,,,,,,,,,,,,,,,,,  
16,2,,172141-03440,,,"LABEL",,,1,,,,,,,,,,,,,,,,,,,,,  
17,2,,172171-03700,,,"LABEL",,,1,,,,,,,,,,,,,,,,,,,,,  
18,2,,172171-03710,,,"LABEL",,,1,,,,,,,,,,,,,,,,,,,,,  
19,2,,172171-03720,,,"LABEL",,,1,,,,,,,,,,,,,,,,,,,,,  
20,2,,172171-03740,,,"LABEL",,,1,,,,,,,,,,,,,,,,,,,,,  
21,2,,172171-03750,,,"LABEL",,,2,,,,,,,,,,,,,,,,,,,,,  
22,2,,172171-03760,,,"LABEL",,,1,,,,,,,,,,,,,,,,,,,,,  
23,2,,172171-03770,,,"LABEL",,,1,,,,,,,,,,,,,,,,,,,,,  
24,2,,172171-03780,,,"LABEL",,,1,,,,,,,,,,,,,,,,,,,,,  
25,2,,172155-03790,,,"LABEL,RE-FUELING",,,1,,,,,,,,,,,,,,,,,,,,,  
26,2,,172171-03790,,,"LABEL, RADIATOR",,,1,,,,,,,,,,,,,,,,,,,,,  
27,2,,172171-03810,,,"LABEL",,,1,,,,,,,,,,,,,,,,,,,,,  
28,2,,172125-03950,,,"LABEL, AIR CLEANER",,,1,,,,,,,,,,,,,,,,,,,,,  
29,2,,121120-44800,,,"LABEL, RADIATOR",,,1,,,,,,,,,,,,,,,,,,,,,  
30,2,,124764-44810,,,"LABEL",,,1,,,,,,,,,,,,,,,,,,,,,  
31,2,,124764-44920,,,"LABEL, ANTI-FREEZING",,,1,,,,,,,,,,,,,,,,,,,,,  
32,2,,22857-300050,,,"SCREW 3X 5",,,4,,,,,,,,,,,,,,,,,,,,,  
33,2,,933112-52100,,,"LABEL, FUEL",,,1,,,,,,,,,,,,,,,,,,,,,  
34,2,,172162-03250,,,"LABEL,PATTERN A",,,1,,,,,,,,,,,,,,,,,,,,,  
35,2,,172511-03250,,,"LABEL, LEVER LOCK",,,1,,,,,,,,,,,,,,,,,,,,,

Fig. 5 銘板(AS)  
LABEL (AS)

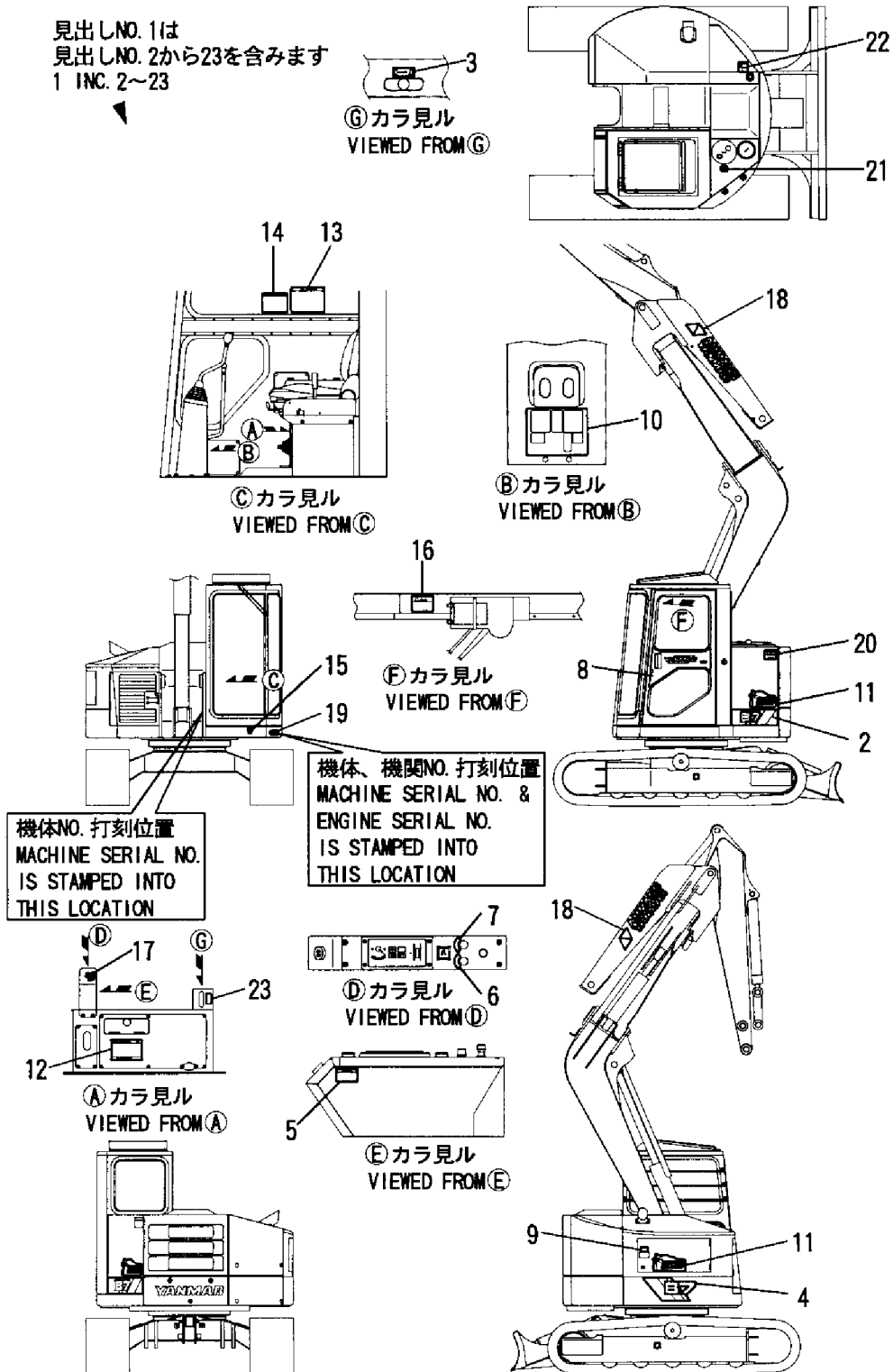
見出しNO. 11は  
見出しNO. 2から35を含みます  
1 INC. 2~35



1,1,,772162-03150,,LABEL,,,,,1,1,,,,,,,,,,,,,  
2,2,,172162-03141,,,"LABEL A, STRIPE",,,,,1,1,,,,,,,,,,,,,  
3,2,,172519-03150,,,"LABEL, ACCEL",,,,,1,1,,,,,,,,,,,,,  
4,2,,172162-03161,,,"LABEL(B), STRIPE",,,,,1,1,,,,,,,,,,,,,  
5,2,,172143-03180,,LABEL,,,,,1,1,,,,,,,,,,,,,  
6,2,,172162-03180,,,"LABEL, HEATER SWITCH",,,,,1,1,,,,,,,,,,,,,  
7,2,,172162-03190,,,"LABEL, WIPER SWITCH",,,,,1,1,,,,,,,,,,,,,  
8,2,,172162-03222,,,"LABEL, CAB",,,,,1,1,,,,,,,,,,,,,  
9,2,,172143-03240,,LABEL,,,,,1,1,,,,,,,,,,,,,  
10,2,,172162-03250,,,"LABEL, PATTERN A",,,,,1,1,,,,,,,,,,,,,  
11,2,,172162-03261,,LABEL,,,,,2,2,,,,,,,,,,,,,  
12,2,,172162-03310,,,"LABEL, SPECIFICATION",,,,,1,1,,,,,,,,,,,,,  
13,2,,172162-03320,,LABEL,,,,,1,1,,,,,,,,,,,,,  
14,2,,172162-03330,,,"LABEL, GREASING",,,,,1,1,,,,,,,,,,,,,  
15,2,,172147-03340,,LABEL,,,,,1,1,,,,,,,,,,,,,  
16,2,,172162-03340,,LABEL,,,,,1,1,,,,,,,,,,,,,  
17,2,,172141-03360,,,"LABEL, START SWITCH",,,,,1,1,,,,,,,,,,,,,  
18,2,,172151-03451,,,"LABEL, BOOM",,,,,2,2,,,,,,,,,,,,,  
19,2,,22857-300050,,,"SCREW 3X 5",,,,,4,4,,,,,,,,,,,,,  
20,2,,933112-45300,,,"LABEL, DANGER (A)",,,,,1,1,,,,,,,,,,,,,  
21,2,,933112-50700,,,"LABEL, OIL FEED",,,,,1,1,,,,,,,,,,,,,  
22,2,,933112-52500,,,"LABEL, FUEL",,,,,1,1,,,,,,,,,,,,,  
23,2,,172511-03250,,,"LABEL, LEVER LOCK",,,,,1,1,,,,,,,,,,,,,

Fig. 6 銘板(EP, AY)  
 LABEL (EP, AY)

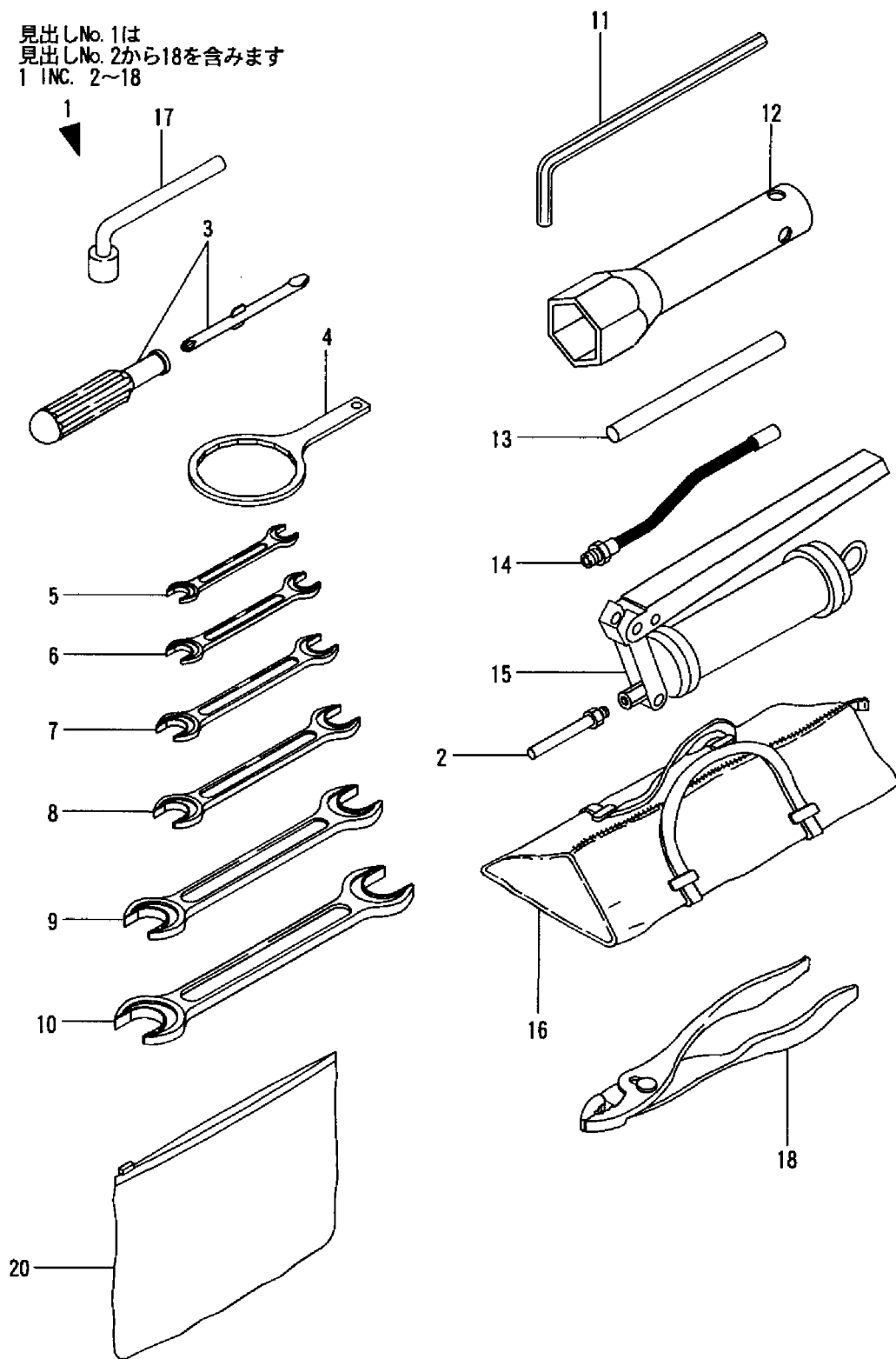
見出しNO. 1は  
 見出しNO. 2から23を含みます  
 1 INC. 2~23



1,1,,772162-05100,, "TOOL ASSY.",1,1,1,1,1,,,,,,,,,,,,,  
2,2,,172122-05100,,NOZZLE,1,1,,,,,,,,,,,,,  
2-1,2,,172122-  
05101,,NOZZLE,1,1,1,1,1,,N,,72165483,M01160,72165483,M01160,,,,,,,,,I  
3,2,,104200-92350,, "DRIVER, SCREW",1,1,1,1,1,,,,,,,,,,,,,  
4,2,,171301-92750,, "WRENCH, L.O. FILTER",1,1,1,1,1,,,,,,,,,,,,,  
5,2,,28110-080100,, "WRENCH 8X10",1,1,1,1,1,,,,,,,,,,,,,  
6,2,,28110-120140,, "WRENCH 12X14",1,1,1,1,1,,,,,,,,,,,,,  
7,2,,28110-170190,, "WRENCH 17X19",1,1,,,,,,,,,,,,,  
7-1,2,,28110-170190,, "WRENCH  
17X19",2,2,2,2,2,,K,,72149217,M01082,72149217,M01082,,,,,,,,,I  
8,2,,28110-220240,, "WRENCH 22X24",1,1,1,1,1,,,,,,,,,,,,,  
9,2,,28110-270300,, "WRENCH 27X30",1,1,1,1,1,,,,,,,,,,,,,  
10,2,,28110-320360,, "WRENCH  
32X36",1,1,,,,,Z,,72183020,M01049,72183020,M01049,,,,,,,,,I  
11,2,,28150-080000,, "BAR WRENCH 8",1,1,1,1,1,,,,,,,,,,,,,  
12,2,,28227-271400,, "BOX WRENCH 27X140",1,1,1,1,1,,,,,,,,,,,,,  
13,2,,28230-120250,, "TURNING HANDLE",1,1,1,1,1,,,,,,,,,,,,,  
14,2,,933110-09700,, "HOSE, GREASE",1,1,,,,,,,,,,,,,  
14-1,2,,933110-09701,, "HOSE,  
GREASE",1,1,1,1,1,,N,,72165483,M01160,72165483,M01160,,,,,,,,,I  
15,2,,933110-09800,, "GUN 800, GREASE",1,1,,,,,,,,,,,,,  
15-1,2,,933110-09801,, "GUN 800,  
GREASE",1,1,1,1,1,,N,,72165483,M01160,72165483,M01160,,,,,,,,,I  
16,2,,933110-90000,, "BAG, TOOL",1,1,1,1,1,,,,,,,,,,,,,  
17,2,,933110-90600,, "WRENCH 24, SOCKET",1,1,1,1,1,,,,,,,,,,,,,  
18,2,,933171-00470,, "PLIER (200)",1,1,1,1,1,,,,,,,,,,,,,  
20,1,,172176-07330,, "BAG, MANUAL",1,1,,,,,,,,,,,,,

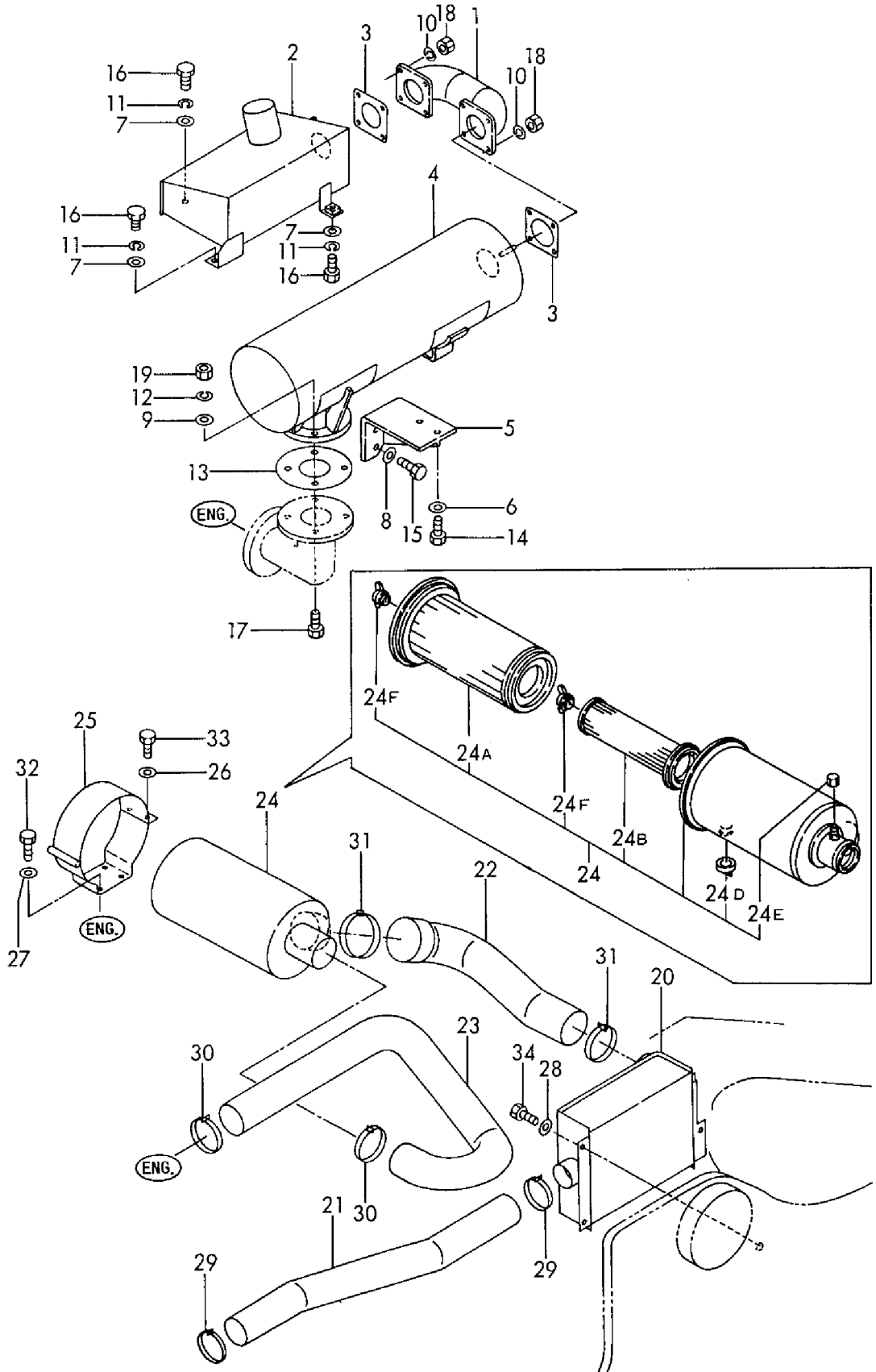
Fig. 7 工具  
TOOL

見出しNo. 1は  
見出しNo. 2から18を含みます  
1 INC. 2~18



1,1,,172162-11300,, "FLANGE COMP.,MUFFLER",1,1,1,1,1,,,,,,,,,,,,,  
2,1,,172162-11320,, "SILENCER COMP.,NO.2",1,1,1,1,1,,,,,,,,,,,,,  
3,1,,129400-13201,, "GASKET, (NON-ASB.)",2,2,2,2,2,,,,,,,,,,,,,  
4,1,,119129-13500,, SILENCER,1,1,1,1,1,,,,,,,,,,,,,  
5,1,,119129-13520,, "SUPPORT,SILENCER",1,1,1,1,1,,,,,,,,,,,,,  
6,1,,22137-080000,, "WASHER 8, POLISHED",2,2,2,2,2,,,,,,,,,,,,,  
7,1,,22137-100000,, "WASHER 10,POLISHED",4,4,4,4,4,,,,,,,,,,,,,  
8,1,,22137-100000,, "WASHER 10,POLISHED",3,3,3,3,3,,,,,,,,,,,,,  
9,1,,22137-120000,, "WASHER 12,POLISHED",4,4,4,4,4,,,,,,,,,,,,,  
10,1,,22217-080000,, "SPRING WASHER 8",8,8,8,8,8,,,,,,,,,,,,,  
11,1,,22217-100000,, "SPRING WASHER 10",4,4,4,4,4,,,,,,,,,,,,,  
12,1,,22217-120000,, "SPRING WASHER",4,4,4,4,4,,,,,,,,,,,,,  
13,1,,23446-050000,, "GASKET 50",1,1,1,1,1,,,,,,,,,,,,,  
14,1,,26013-080252,, "BOLT M 8X 25",2,2,2,2,2,,,,,,,,,,,,,  
15,1,,26013-100252,, "BOLT W/WASHER M10X25",3,3,3,3,3,,,,,,,,,,,,,  
16,1,,26116-100202,, "BOLT M10X 20 PLATED",4,4,4,4,4,,,,,,,,,,,,,  
17,1,,26116-120452,, "BOLT M12X 45 PLATED",4,4,4,4,4,,,,,,,,,,,,,  
18,1,,26716-080002,, "NUT M 8",8,8,8,8,8,,,,,,,,,,,,,  
19,1,,26716-120002,, "NUT 12",4,4,4,4,4,,,,,,,,,,,,,  
20,1,,172162-11500,, "DUCT COMPL.",1,1,1,1,1,,,,,,,,,,,,,  
21,1,,172162-11550,, "HOSE A,SUCTION",1,1,1,1,1,,,,,,,,,,,,,  
22,1,,172162-11560,, "HOSE B,SUCTION",1,1,1,1,1,,,,,,,,,,,,,  
23,1,,119129-12210,, "PIPE,SUCTION",1,1,1,1,1,,,,,,,,,,,,,  
24,1,,119129-12500,, "CLEANER COMP.,AIR",1,1,1,1,1,,,,,,,,,,,,,  
24A,2,,119005-12510,, "ELEMENT, OUTER",1,1,1,1,1,,W,,TN-93303,M00996,TN-  
93303,M01004,,,,,,,,,,,,,I  
24B,2,,119005-12570,, "ELEMENT, INNER",1,1,1,1,1,,W,,TN-93303,M00996,TN-  
93303,M01004,,,,,,,,,,,,,I  
24D,2,,121422-12580,, "VALVE, UNLOADER",1,1,1,1,1,,W,,TN-93303,M00996,TN-  
93303,M01004,,,,,,,,,,,,,I  
24E,2,,121820-12590,, NIPPLE,1,1,1,1,1,,W,,TN-93303,M00996,TN-  
93303,M01004,,,,,,,,,,,,,I  
24F,2,,124610-12630,, NUT,2,2,2,2,2,,W,,TN-93303,M00996,TN-93303,M01004,,,,,,,,,,,,,I  
25,1,,121872-12700,, "SUPPORT, CLEANER",1,1,1,1,1,,,,,,,,,,,,,  
26,1,,22137-080000,, "WASHER 8, POLISHED",2,2,2,2,2,,,,,,,,,,,,,  
27,1,,22217-080000,, "SPRING WASHER 8",4,4,4,4,4,,,,,,,,,,,,,  
28,1,,22217-100000,, "SPRING WASHER 10",3,3,3,3,3,,,,,,,,,,,,,  
29,1,,23000-070000,, "CLAMP 70",2,2,2,2,2,,,,,,,,,,,,,  
30,1,,23000-070000,, "CLAMP 70",2,2,2,2,2,,,,,,,,,,,,,  
31,1,,23000-080000,, "CLAMP 80",2,2,2,2,2,,,,,,,,,,,,,  
32,1,,26116-080202,, "BOLT M 8X 20 PLATED",4,4,4,4,4,,,,,,,,,,,,,  
33,1,,26116-080252,, "BOLT M 8X 25 PLATED",2,2,2,2,2,,,,,,,,,,,,,  
34,1,,26116-100202,, "BOLT M10X 20 PLATED",3,3,3,3,3,,,,,,,,,,,,,

Fig. 8 吸入管 & 噴出口  
AIR INTAKE & EXH. PIPE

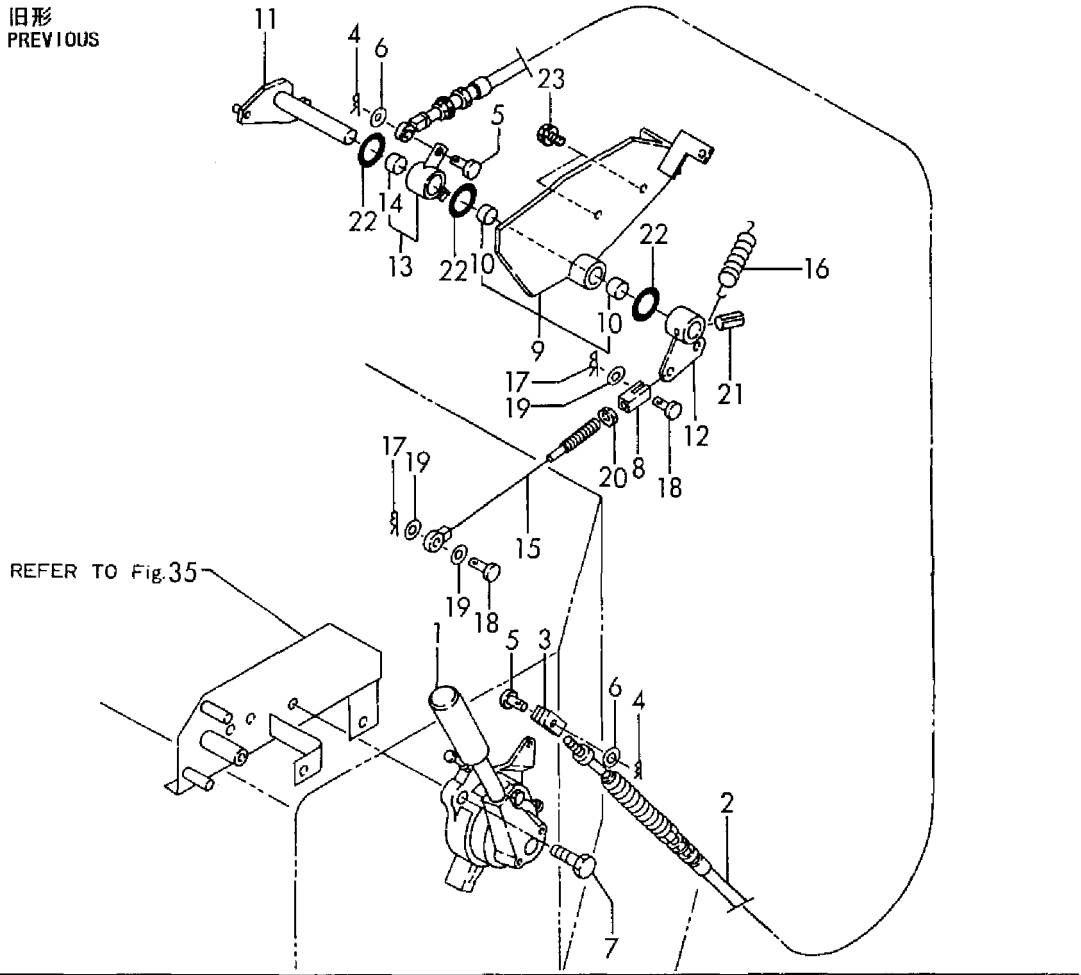




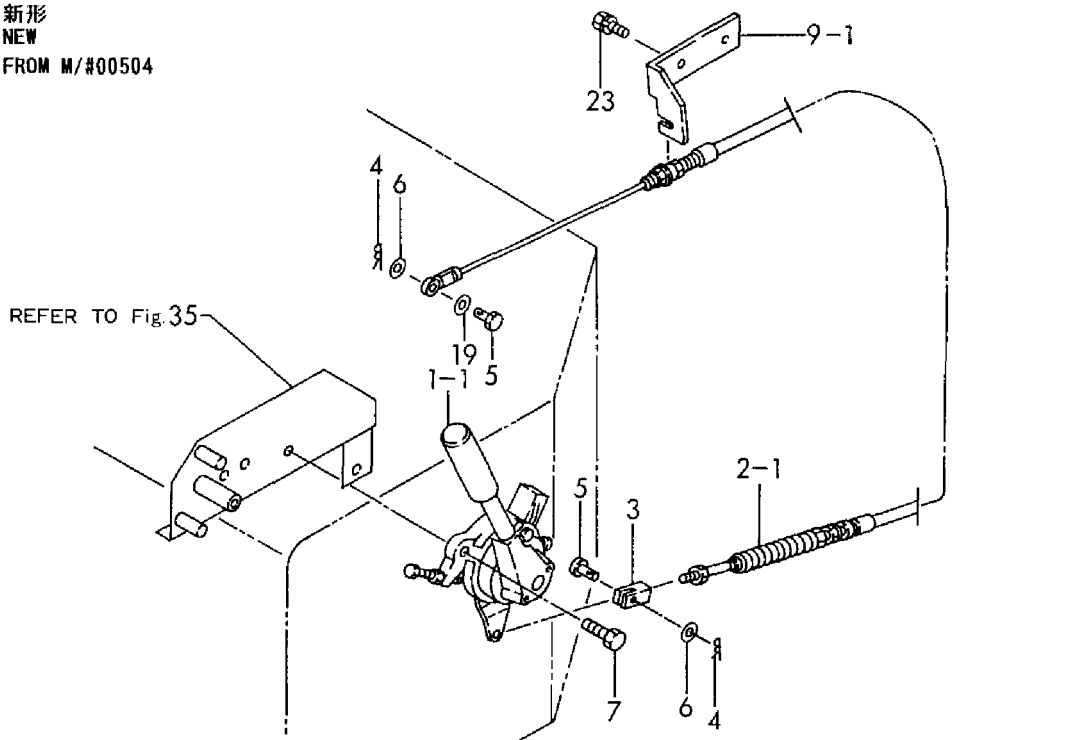
1,1,,172162-12100,, "LEVER,ACCELERATOR",1,1,,,,,,,,,,,,,  
1-1,1,,172162-  
12100,, "LEVER,ACCELERATOR",1,1,1,1,1,,S,,72162169,M00504,72162169,M00504,,,,,,,,,  
2,1,,172162-12110,, "CABLE,ACCELERATOR",1,1,,,,,,,,,,,,,  
2-1,1,,172162-  
12210,, "CABLE,ACCELERATOR",1,1,1,1,1,,S,,72162169,M00504,72162169,M00504,,,,,,,,,  
3,1,,172137-12270,, "JOINT, CABLE",1,1,1,1,1,,,,,,,,,,,,,  
4,1,,1C6281-52310,, "PIN 6,COME-OFF SNAP",2,2,2,2,2,,,,,,,,,,,,,  
5,1,,1A1040-56900,, "PIN 6X 17",1,1,,,,,,,,,,,,,  
5-1,1,,1A1040-56900,, "PIN 6X  
17",2,2,2,2,2,,K,,72162365,M00501,72162365,M00501,,,,,,,,,I  
6,1,,22137-060000,, "WASHER 6, POLISHED",1,1,,,,,,,,,,,,,  
6-1,1,,22137-060000,, "WASHER 6,  
POLISHED",2,2,2,2,2,,K,,72162365,M00501,72162365,M00501,,,,,,,,,I  
7,1,,26013-100252,, "BOLT W/WASHER M10X25",2,2,2,2,2,,,,,,,,,,,,,  
8,1,,172137-12270,, "JOINT,  
CABLE",1,1,,,,,Z,,72162169,M00504,72162169,M00504,,,,,,,,,  
9,1,,172162-12300,, "BASE COMPL.",1,1,,,,,,,,,,,,,  
9-1,1,,172162-12490,, PLATE,1,1,1,1,1,,S,,72162169,M00504,72162169,M00504,,,,,,,,,  
10,2,,172141-41360,, "BUSH  
1415",2,2,,,,,Z,,72162169,M00504,72162169,M00504,,,,,,,,,  
11,1,,172162-12340,, "SHAFT  
COMPL.",1,1,,,,,Z,,72162169,M00504,72162169,M00504,,,,,,,,,  
12,1,,172162-12380,, "LINK  
COMPL.",1,1,,,,,Z,,72162169,M00504,72162169,M00504,,,,,,,,,  
13,1,,172162-12400,, "LEVER  
COMPL.",1,1,,,,,Z,,72162169,M00504,72162169,M00504,,,,,,,,,  
14,2,,172141-41360,, "BUSH  
1415",1,1,,,,,Z,,72162169,M00504,72162169,M00504,,,,,,,,,  
15,1,,172162-  
12470,, "CABLE,ACCELERATOR",1,1,,,,,Z,,72162169,M00504,72162169,M00504,,,,,,,,,  
16,1,,172162-  
12480,, "SPRING,RETURN",1,1,,,,,Z,,72162169,M00504,72162169,M00504,,,,,,,,,  
17,1,,1C6281-52310,, "PIN 6,COME-OFF  
SNAP",2,2,,,,,Z,,72162169,M00504,72162169,M00504,,,,,,,,,I  
18,1,,1A1040-56900,, "PIN 6X  
17",2,2,,,,,Z,,72162169,M00504,72162169,M00504,,,,,,,,,I  
19,1,,22137-060000,, "WASHER 6,  
POLISHED",4,4,,,,,Z,,72162169,M00504,72162169,M00504,,,,,,,,,I  
20,1,,26756-060002,, "LOCK NUT  
6",1,1,,,,,Z,,72162169,M00504,72162169,M00504,,,,,,,,,  
21,1,,22351-040025,, "PIN  
4X25,SPRING",1,1,,,,,Z,,72162169,M00504,72162169,M00504,,,,,,,,,  
22,1,,24311-000210,, "O-RING 1A P-  
21.0",3,3,,,,,Z,,72162169,M00504,72162169,M00504,,,,,,,,,  
23,1,,26013-100252,, "BOLT W/WASHER M10X25",2,2,2,2,2,,,,,,,,,,,,,

Fig. 9 アクセル  
ACCELERATOR

旧形  
PREVIOUS

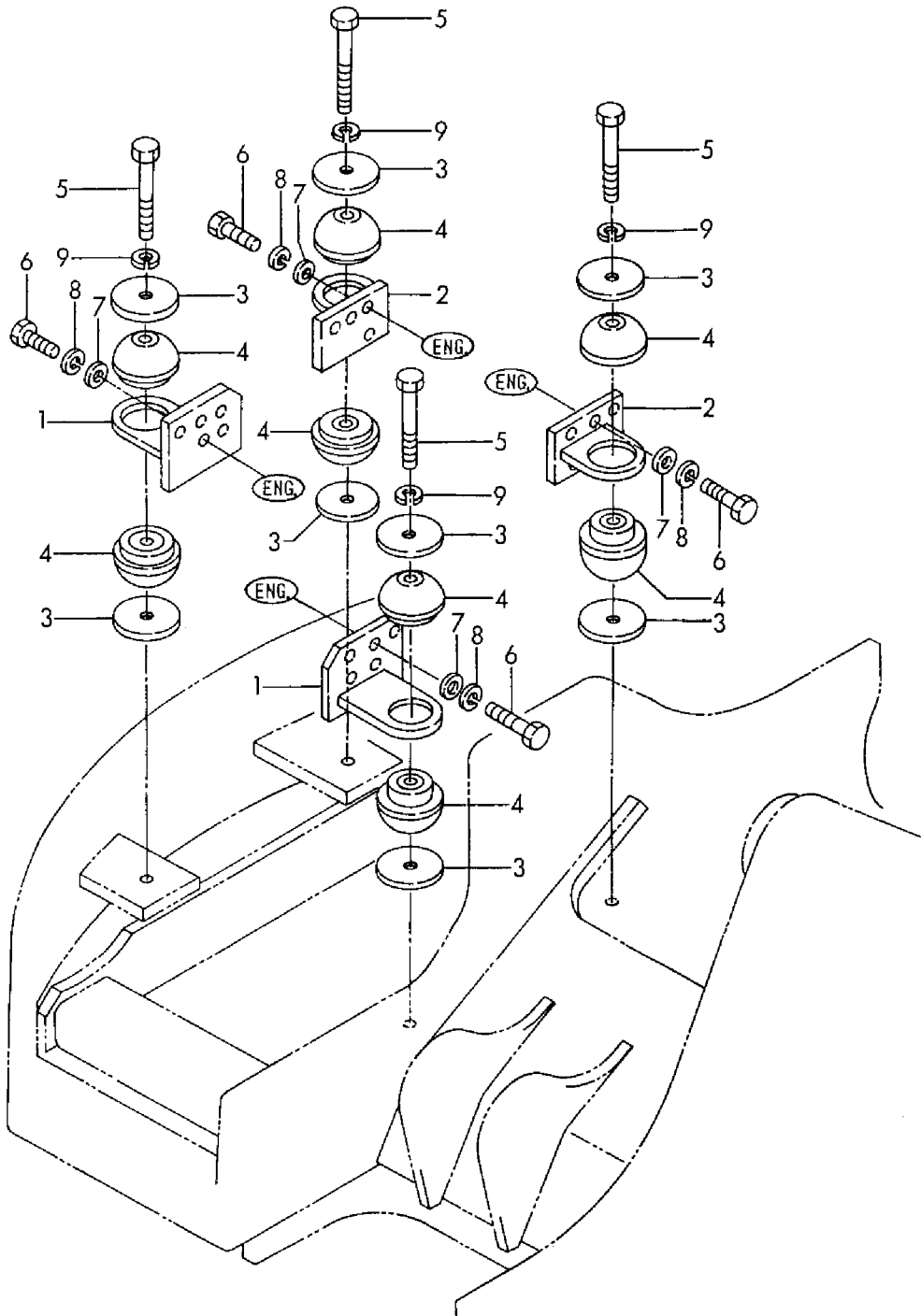


新形  
NEW  
FROM M/#00504



1,1,,172162-13100,, "BRACKET A CMP,ENGINE",2,2,2,2,2,,,,,,,,,,,,,  
2,1,,172162-13140,, "BRACKET B CMP,ENGINE",2,2,2,2,2,,,,,,,,,,,,,  
3,1,,172162-13170,, WASHER,8,8,8,8,8,,,,,,,,,,,,,  
4,1,,172162-13180,, "MOUNT,ENGINE",8,8,8,8,8,,,,,,,,,,,,,  
5,1,,172162-13190,, "BOLT M16X150",4,4,4,4,4,,,,,,,,,,,,,  
6,1,,172162-13200,, "BOLT M10X30",16,16,16,16,16,,,,,,,,,,,,,  
7,1,,172137-46040,, "SEAT, SPRING",16,16,16,16,16,,,,,,,,,,,,,  
8,1,,22217-100000,, "SPRING WASHER 10",16,16,16,16,16,,,,,,,,,,,,,  
9,1,,22217-160000,, "SPRING WASHER 16",4,4,4,4,4,,,,,,,,,,,,,

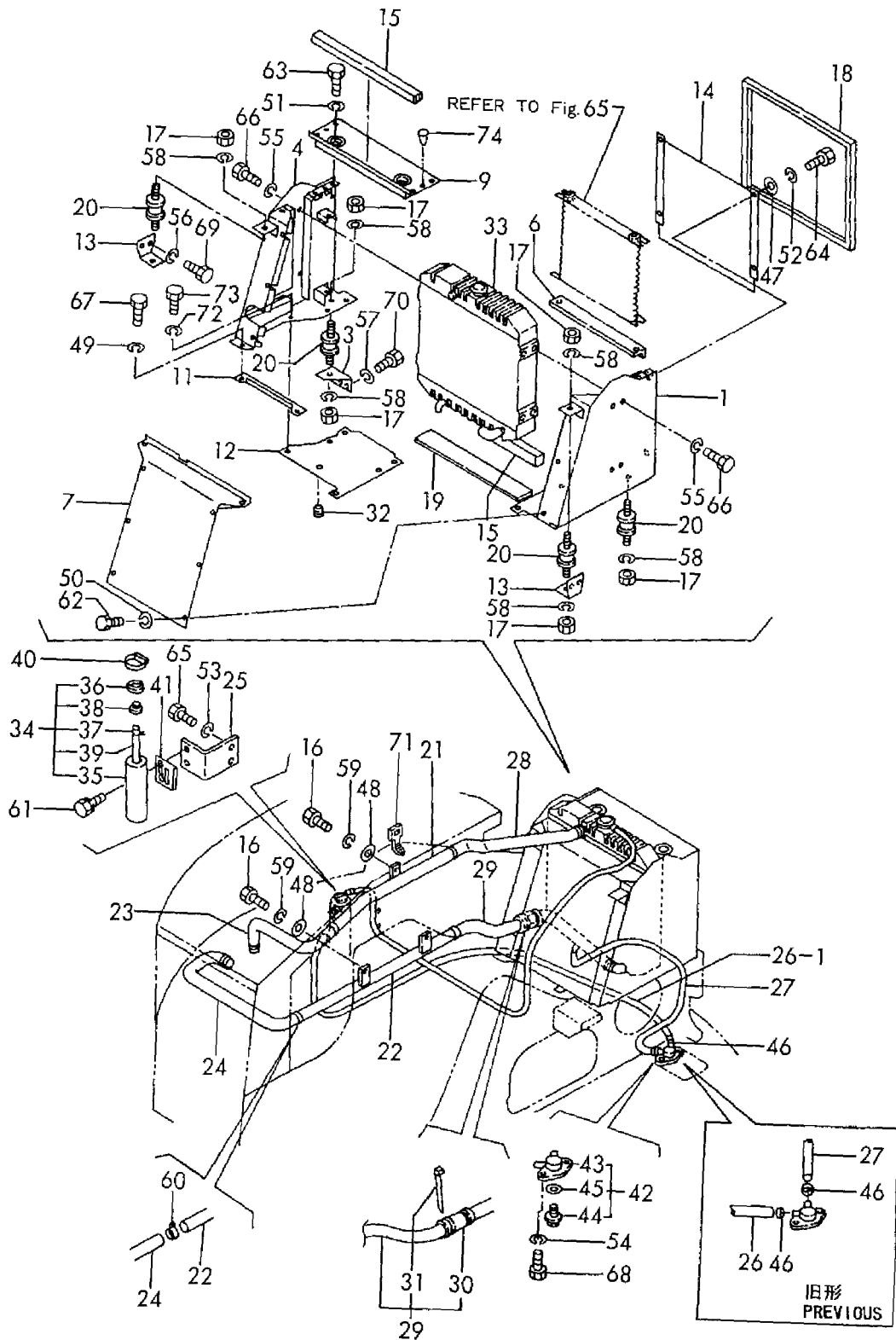
Fig. 10 エンジンマウント  
ENGINE MOUNT



1,1,,172162-13300,, "ABSORB.MTL.,MT.L SD.",1,1,1,1,1,,,,,,,,,,,,,  
3,1,,172162-13410,, BRACKET,1,1,1,1,1,,,,,,,,,,,,,  
4,1,,172162-13420,, "ABSORB.MTL.,MT.R SD.",1,1,1,1,1,,,,,,,,,,,,,  
6,1,,172162-13480,, BRACKET,1,1,1,1,1,,,,,,,,,,,,,  
7,1,,172162-13570,, "ABSORB.MTL.,CVR.A SD",1,1,1,1,1,,,,,,,,,,,,,  
9,1,,172162-13600,, "COVER B",1,1,1,1,1,,,,,,,,,,,,,  
11,1,,172162-13630,, "PLATE F COMPL.",1,1,1,1,1,,,,,,,,,,,,,  
12,1,,172162-13650,, "PLATE G COMPL.",1,1,1,1,1,,,,,,,,,,,,,  
13,1,,172162-13670,, BRACKET,2,2,2,2,2,,,,,,,,,,,,,  
14,1,,172162-13680,, "PLATE COMP.,GUARD",1,1,1,1,1,,,,,,,,,,,,,  
15,1,,172162-13730,, "SEAL A,RADIATOR",2,2,2,2,2,,,,,,,,,,,,,  
16,1,,26116-100202,, "BOLT M10X 20 PLATED",4,4,4,4,4,,,,,,,,,,,,,  
17,1,,26716-100002,, "NUT 10",8,8,8,8,8,,,,,,,,,,,,,  
18,1,,172162-13760,, "SEAL D",1,1,1,1,1,,,,,,,,,,,,,  
19,1,,172162-13770,, "SEAL,RADIATOR LOWER",1,1,1,1,1,,,,,,,,,,,,,  
20,1,,172162-13780,, "MOUNT 42-87,EVAPORTR",4,4,4,4,4,,,,,,,,,,,,,  
21,1,,172162-13810,, "TUBE A CMP.,RADIATOR",1,1,1,1,1,,,,,,,,,,,,,  
22,1,,172162-13830,, "TUBE B CMP.,RADIATOR",1,1,1,1,1,,,,,,,,,,,,,  
23,1,,172162-13860,, "HOSE,WIPER OUTLET",1,1,1,1,1,,,,,,,,,,,,,  
24,1,,172162-13870,, "HOSE,WIPER INLET",1,1,1,1,1,,,,,,,,,,,,,  
25,1,,172162-13880,, "SUPPORT CMP,SUB-TANK",1,1,1,1,1,,,,,,,,,,,,,  
26,1,,172162-13900,, "PIPE A,DRAIN",1,1,,,,,,,,,,,,,  
26-1,1,,172162-13280,, "PIPE A  
COMP.,DRAIN",1,1,,,,,S,,72162214,M00501,72162214,M00501,,,,,,  
26-2,1,,172162-13281,, "PIPE  
A,DRAIN",1,1,1,1,1,,N,,72162341,M00563,72162341,M00563,,,,,,I  
27,1,,172162-13710,, PIPE,1,1,,,,,W,,\*,M00501\*,M00501,,,,,,I  
27-1,1,,172162-  
13711,, PIPE,1,1,1,1,1,,N,,72146294,M01115,72146294,M01115,,,,,,I  
28,1,,172162-13920,, "HOSE COMP.,C.W.UPPER",1,1,1,1,1,,,,,,,,,,,,,  
29,1,,172162-13930,, "HOSE COMP.,C.W.UNDER",1,1,1,1,1,,,,,,,,,,,,,  
30,2,,172162-13960,, "ABSORB.MTL.,THRWR.SD",1,1,1,1,1,,,,,,,,,,,,,  
31,2,,172122-79890,, "CLAMP 350",2,2,2,2,2,,,,,,,,,,,,,  
32,1,,172725-16380,, "GROMMET 15X20",1,1,1,1,1,,,,,,,,,,,,,  
33,1,,119129-44500,, "RADIATOR COMPL.",1,1,1,1,1,,,,,,,,,,,,,  
33A,2,,123682-44210,, CAP,1,1,1,1,1,,,,,,,,,,,,,I  
33B,2,,X7008002700,, "HOSE, RUBBER",1,1,1,1,1,,,,,,,,,,,,,I  
33C,2,,23000-013000,, CLAMP,2,2,2,2,2,,,,,,,,,,,,,I  
34,1,,171064-44510,, "SUB-TANK ASSY",1,1,1,1,1,,,,,,,,,,,,,  
35,2,,171064-44520,, "BODY, SUB-TANK",1,1,1,1,1,,,,,,,,,,,,,  
36,2,,121450-44531,, CAP,1,1,1,1,1,,,,,,,,,,,,,  
37,2,,124450-44560,, CLAMP,1,1,1,1,1,,,,,,,,,,,,,  
38,2,,121470-44581,, GASKET,1,1,1,1,1,,,,,,,,,,,,,  
39,2,,23065-070225,, "HOSE 7X 225",1,1,1,1,1,,,,,,,,,,,,,  
40,1,,124450-44550,, "CLAMP, SUB-TANK",1,1,1,1,1,,,,,,,,,,,,,  
41,1,,121256-44600,, "BRACKET, SUB-TANK",1,1,1,1,1,,,,,,,,,,,,,  
42,1,,121450-49110,, "COCK ASSY, 3-WAY",1,1,1,1,1,,,,,,,,,,,,,  
43,2,,121450-49100,, "BODY, COCK",1,1,1,1,1,,,,,,,,,,,,,  
44,2,,121250-49121,, PLUG,1,1,1,1,1,,,,,,,,,,,,,  
45,2,,24311-000160,, "O-RING 1A P-16.0",1,1,1,1,1,,,,,,,,,,,,,  
46,1,,124766-59050,, "CLAMP 12",4,4,4,4,4,,,,,,,,,,,,,  
47,1,,22137-080000,, "WASHER 8, POLISHED",4,4,4,4,4,,,,,,,,,,,,,  
48,1,,22137-100000,, "WASHER 10,POLISHED",4,4,4,4,4,,,,,,,,,,,,,  
49,1,,22217-080000,, "SPRING WASHER 8",8,8,8,8,8,,,,,,,,,,,,,  
50,1,,22217-080000,, "SPRING WASHER 8",8,8,8,8,8,,,,,,,,,,,,,  
51,1,,22217-080000,, "SPRING WASHER 8",4,4,4,4,4,,,,,,,,,,,,,  
52,1,,22217-080000,, "SPRING WASHER 8",4,4,4,4,4,,,,,,,,,,,,,  
53,1,,22217-080000,, "SPRING WASHER  
8",2,2,,,,,Z,,72164299,M01153,72164299,M01153,,,,,,I  
54,1,,22217-080000,, "SPRING WASHER 8",2,2,2,2,2,,,,,,,,,,,,,  
55,1,,22217-080000,, "SPRING WASHER 8",8,8,8,8,8,,,,,,,,,,,,,  
56,1,,22217-100000,, "SPRING WASHER 10",4,4,4,4,4,,,,,,,,,,,,,  
57,1,,22217-100000,, "SPRING WASHER 10",4,4,4,4,4,,,,,,,,,,,,,

58,1,,22217-100000,, "SPRING WASHER 10",8,8,8,8,8,,,,,,,,,,,,,  
59,1,,22217-100000,, "SPRING WASHER 10",4,4,4,4,4,,,,,,,,,,,,,  
60,1,,23010-050000,, "CLAMP 50",8,8,8,8,8,,,,,,,,,,,,,  
61,1,,26013-080252,, "BOLT M 8X 25",2,2,2,2,2,,,,,,,,,,,,,  
62,1,,26116-080162,, "BOLT 8X16",8,8,8,8,8,,,,,,,,,,,,,  
63,1,,26116-080162,, "BOLT 8X16",4,4,4,4,4,,,,,,,,,,,,,  
64,1,,26116-080162,, "BOLT 8X16",4,4,4,4,4,,,,,,,,,,,,,  
65,1,,26116-080162,, "BOLT 8X16",2,2,2,2,2,,,,,,,,,,,,,  
65-1,1,,26557-080162,, "SCREW M 8X  
16",2,2,,,,,N,,72162268,M00504,72162268,M00504,,,,,,,,,  
65-2,1,,26022-080162,, "SCREW M 8X  
16",2,2,2,2,2,N,,72164299,M01153,72164299,M01153,,,,,,,,,I  
66,1,,26116-080162,, "BOLT 8X16",8,8,8,8,8,,,,,,,,,,,,,  
67,1,,26116-080202,, "BOLT M 8X 20 PLATED",8,8,8,8,8,,,,,,,,,,,,,  
68,1,,26116-080202,, "BOLT M 8X 20 PLATED",2,2,2,2,2,,,,,,,,,,,,,  
69,1,,26116-100202,, "BOLT M10X 20 PLATED",4,4,4,4,4,,,,,,,,,,,,,  
70,1,,26116-100202,, "BOLT M10X 20 PLATED",4,4,4,4,4,,,,,,,,,,,,,  
71,1,,933152-09280,, "BAND 170",1,1,1,1,1,,,,,,,,,,,,,  
72,1,,22217-080000,, "SPRING WASHER 8",6,6,6,6,6,,,,,,,,,,,,,  
73,1,,26116-080162,, "BOLT 8X16",6,6,6,6,6,,,,,,,,,,,,,  
74,1,,172122-17190,, CLIP,2,2,2,2,2,,W,,72162232,"FROM 1ST",72162232,"FROM  
1ST",,,,,,,,,,

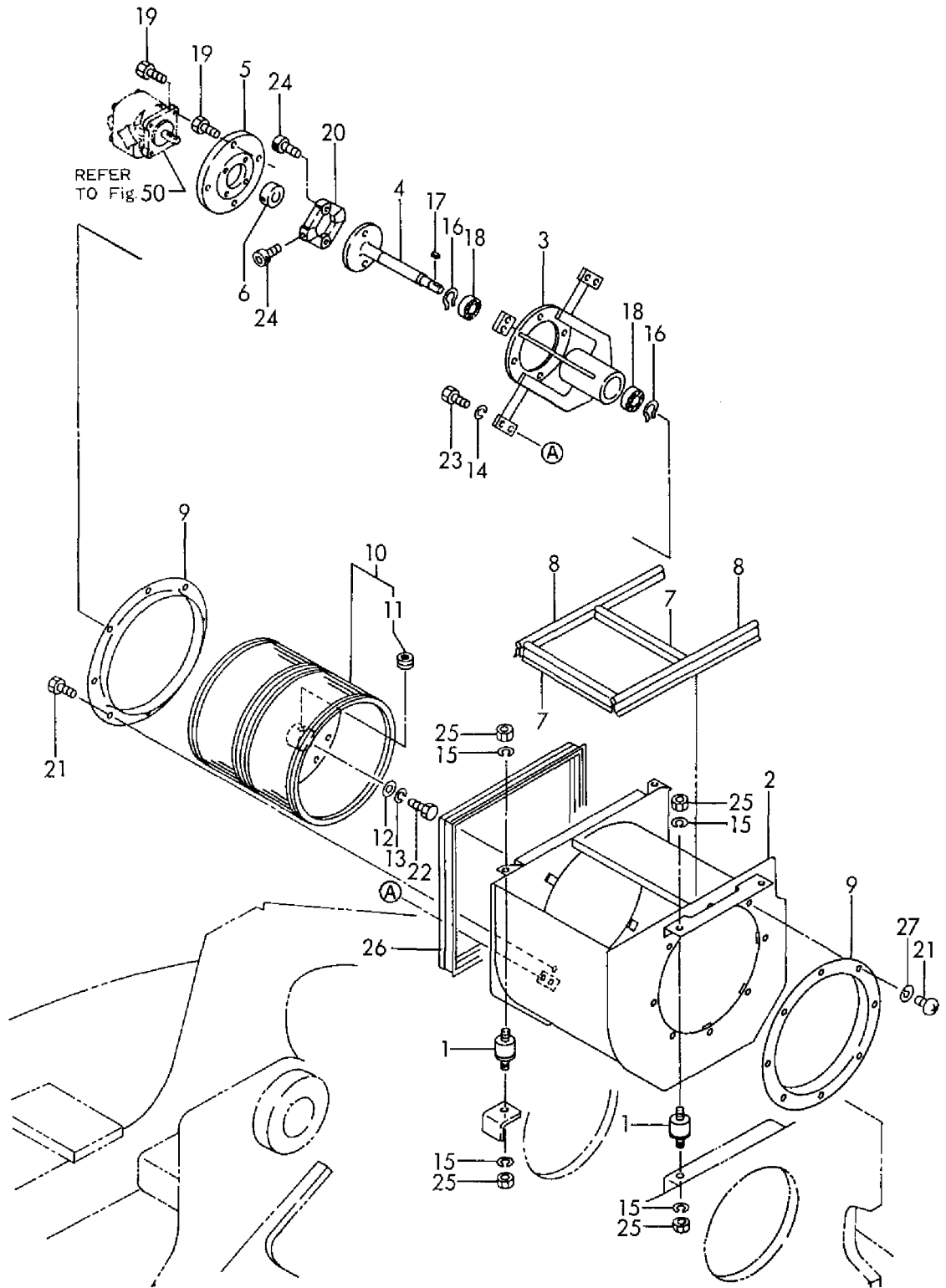
Fig. 11 ラジエータ、マウント & パイプ  
RADIATOR, MOUNT & LINE



1,1,,172124-13500,, "MOUNT, RADIATOR",4,4,4,4,4,,,,,,,,,,,,,  
2,1,,172162-15100,, "CASING COMP.,FAN",1,1,1,1,1,,,,,,,,,,,,,  
3,1,,172162-15200,, "SUPPORT COMP.,FAN",1,1,1,1,1,,,,,,,,,,,,,  
4,1,,172162-15260,, "SHAFT COMP.,FAN",1,1,1,1,1,,,,,,,,,,,,,  
5,1,,172162-15290,, COUPLING,1,1,1,1,1,,,,,,,,,,,,,  
6,1,,172162-15300,, "COUPLING,MOTOR",1,1,1,1,1,,,,,,,,,,,,,  
7,1,,172162-15310,, SEAL,2,2,2,2,2,,,,,,,,,,,,,  
8,1,,172162-15320,, SEAL,2,2,2,2,2,,,,,,,,,,,,,  
9,1,,172162-15330,, "DUCT,COOLING FAN",2,2,2,2,2,,,,,,,,,,,,,  
10,1,,172162-15340,, "FAN,COOLING",1,1,1,1,1,,,,,,,,,,,,,  
11,2,,26979-080102,, "SCREW 8X10",1,1,1,1,1,,,,,,,,,,,,,  
12,1,,22157-060000,, "WASHER 6",1,1,1,1,1,,,,,,,,,,,,,  
13,1,,22217-060000,, "SPRING WASHER 6",1,1,1,1,1,,,,,,,,,,,,,  
14,1,,22217-080000,, "SPRING WASHER 8",8,8,8,8,8,,,,,,,,,,,,,  
15,1,,22217-080000,, "SPRING WASHER 8",8,8,8,8,8,,,,,,,,,,,,,  
16,1,,22242-000170,, "CIRCLIP 17",2,2,2,2,2,,,,,,,,,,,,,  
17,1,,22512-050160,, "KEY 5X16,FEATHER",1,1,1,1,1,,,,,,,,,,,,,  
18,1,,24104-062033,, "BEARING 6203UU",2,2,2,2,2,,,,,,,,,,,,,  
19,1,,26013-080252,, "BOLT M 8X 25",8,8,8,8,8,,,,,,,,,,,,,  
20,1,,172155-71200,, "COUPLING (CF-A-2",1,1,1,1,1,,,,,,,,,,,,,  
21,1,,26022-040102,, "SCREW M 4X 10",16,16,,,,,,,,,,,,,  
21-1,1,,22857-400120,, "SCREW  
4X12",16,16,16,16,16,,R,,72162333,M00563,72162333,M00563,,,,,,,,,I  
22,1,,26116-060122,, "BOLT 6X12",1,1,1,1,1,,,,,,,,,,,,,  
23,1,,26116-080162,, "BOLT 8X16",8,8,8,8,8,,,,,,,,,,,,,  
24,1,,26450-080252,, "BOLT M 8X 25",4,4,4,4,4,,,,,,,,,,,,,  
25,1,,26716-080002,, "NUT M 8",8,8,8,8,8,,,,,,,,,,,,,  
26,1,,172162-15350,, SEAL,1,1,1,1,1,,,,,,,,,,,,,  
27,1,,22217-040000,, "SPRING WASHER  
4",16,16,16,16,16,,W,,72162333,M00563,72162333,M00563,,,,,,,,,I

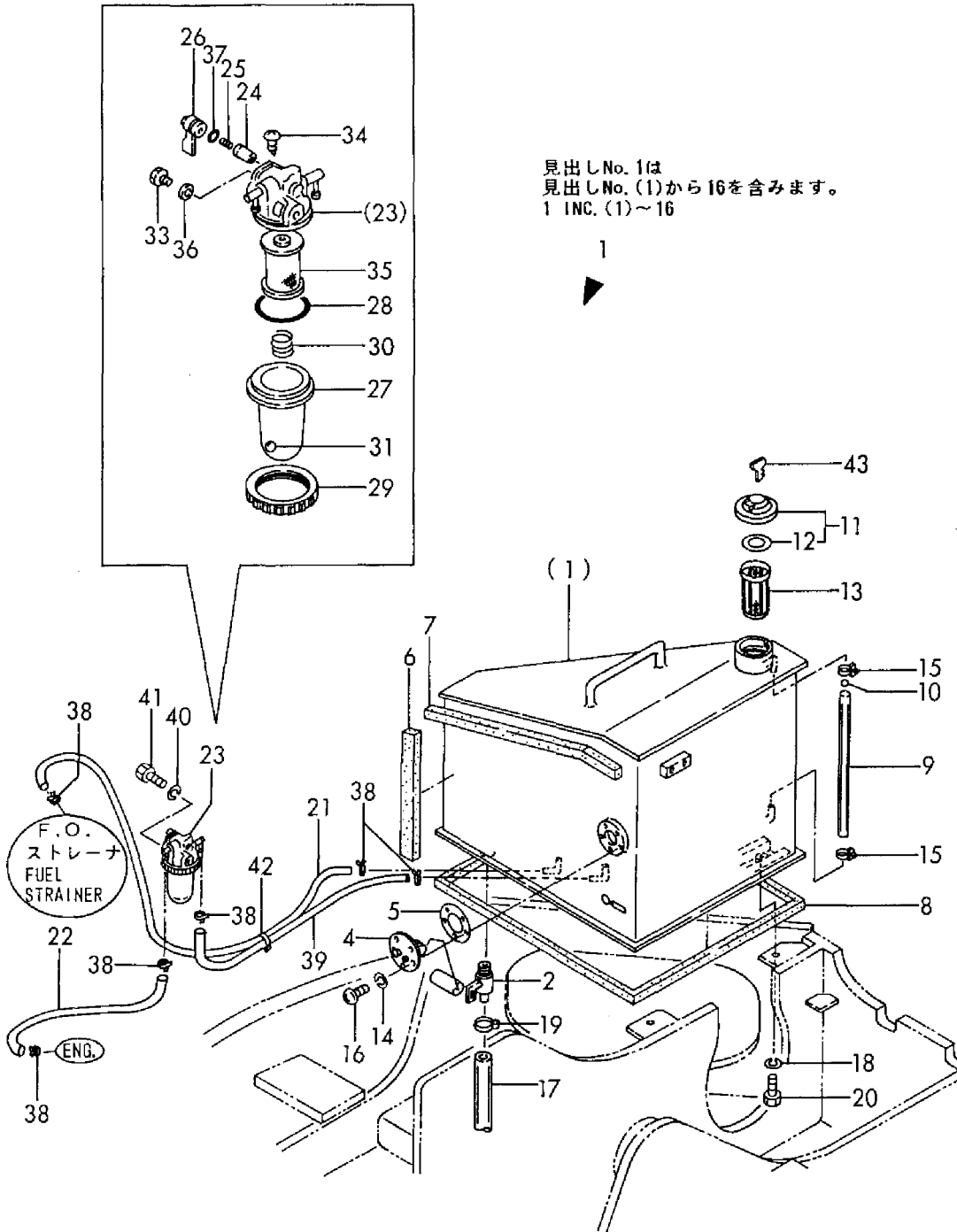


Fig. 12 クーリングファン  
COOLING FAN



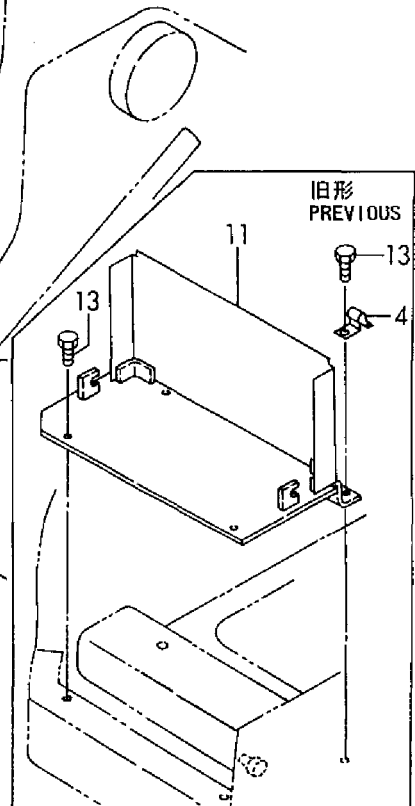
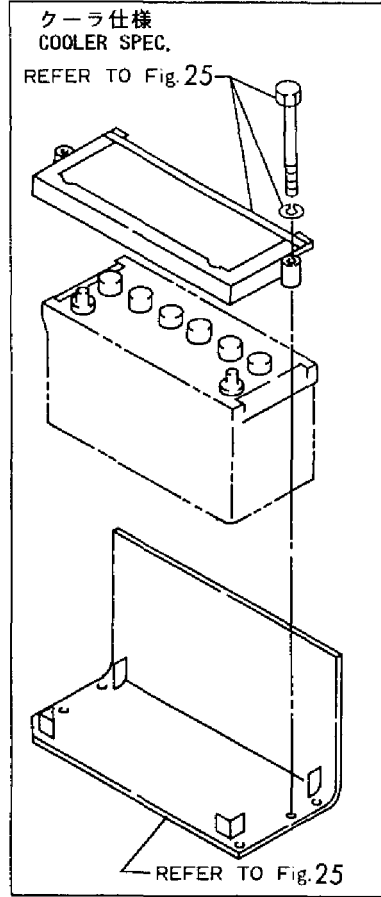
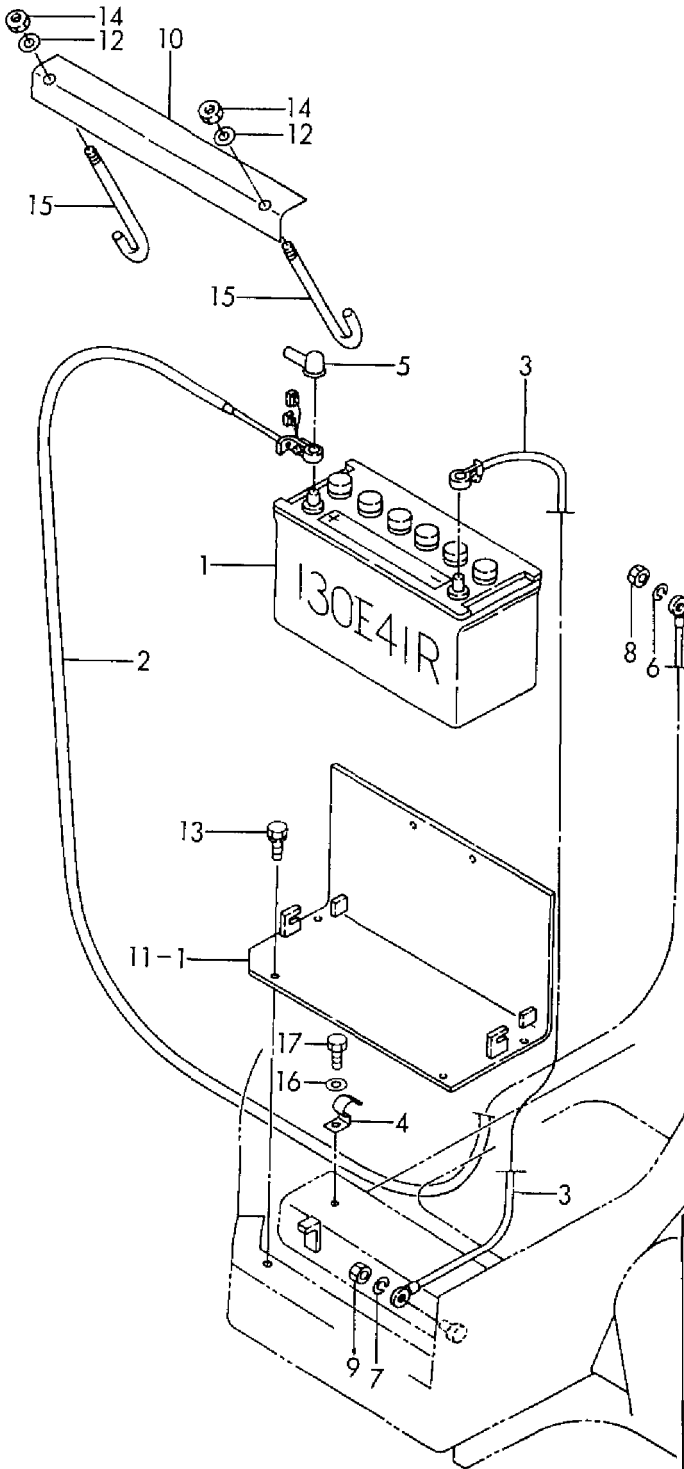
1,1,,772162-14100,, "TANK ASSY, FUEL",1,1,1,1,1,,,,,,,,,,,,,  
2,2,,104200-11920,, COCK,1,1,1,1,1,,,,,,,,,,,,,  
4,2,,172162-14180,, "GAUGE UNIT, FUEL",1,1,1,1,1,,,,,,,,,,,,,  
5,2,,172162-14200,, GASKET,1,1,1,1,1,,,,,,,,,,,,,  
6,2,,172162-14210,, "SEAL A, FUEL TANK",1,1,1,1,1,,,,,,,,,,,,,  
7,2,,172162-14220,, "SEAL B, FUEL TANK",1,1,1,1,1,,,,,,,,,,,,,  
8,2,,172162-14230,, "SEAL C, FUEL TANK",1,1,1,1,1,,,,,,,,,,,,,  
9,2,,172141-14250,, HOSE,1,1,,,,,,,,,,,,,  
9-1,2,,172141-  
14251,, HOSE,1,1,1,1,1,, N,, 72168223, M01115, 72168223, M01115,,,,,,,,, I  
10,2,,172141-14260,, FLOAT,1,1,1,1,1,,,,,,,,,,,,,  
11,2,,172122-14300,, "CAP, FUEL TANK",1,1,1,1,1,,,,,,,,,,,,,  
12,3,,105430-55070,, GASKET,1,1,1,1,1,,,,,,,,,,,,,  
13,2,,101504-55101,, "STRAINER, FUEL INLET",1,1,1,1,1,,,,,,,,,,,,,  
14,2,,22217-050000,, "SPRING WASHER 5",5,5,5,5,5,,,,,,,,,,,,,  
15,2,,23010-014000,, "CLAMP 14",2,2,2,2,2,,,,,,,,,,,,,  
16,2,,26557-050122,, "SCREW M 5X 12",5,5,5,5,5,,,,,,,,,,,,,  
17,1,,172162-14190,, "TUBE, FUEL DRAIN",1,1,1,1,1,,,,,,,,,,,,,  
18,1,,22217-140000,, "SPRING WASHER 14",3,3,3,3,3,,,,,,,,,,,,,  
19,1,,23080-013000,, "CLAMP 13, HOSE",1,1,1,1,1,,,,,,,,,,,,,  
20,1,,26116-140302,, "BOLT M14X 30 PLATED",3,3,3,3,3,,,,,,,,,,,,,  
21-1,1,,172142-14610,, "HOSE L900, FUEL",1,1,1,1,1,, M,,,,,,,,, I  
22,1,,172122-14610,, "PIPE (B), FUEL",1,1,1,1,1,,,,,,,,,,,,,  
23,1,,129335-55700,, "SEPARATOR, WATER",1,1,1,1,1,,,,,,,,,,,,,  
24,2,,104200-55321,, "VALVE, TAPER",1,1,1,1,1,,,,,,,,,,,,,  
25,2,,104200-55330,, "SPRING, TAPER VALVE",1,1,1,1,1,,,,,,,,,,,,,  
26,2,,104200-55341,, "HANDLE, COCK",1,1,1,1,1,,,,,,,,,,,,,  
27,2,,124064-55510,, "BOWL, FUEL STRAINER",1,1,1,1,1,,,,,,,,,,,,,  
28,2,,102103-55520,, O-RING,1,1,1,1,1,,,,,,,,,,,,,  
29,2,,110250-55610,, "RING, RETAINING",1,1,1,1,1,,,,,,,,,,,,,  
30,2,,121257-55720,, "SPRING, SCREEN",1,1,1,1,1,,,,,,,,,,,,,  
31,2,,121257-55731,, FLOAT,1,1,1,1,1,,,,,,,,,,,,,  
33,2,,101720-55750,, "PLUG 6",2,2,2,2,2,,,,,,,,,,,,,  
34,2,,104200-55750,, "SCREW M 4",1,1,1,1,1,,,,,,,,,,,,,  
35,2,,171081-55910,, SCREEN,1,1,1,1,1,,,,,,,,,,,,,  
36,2,,23418-060000,, "GASKET 6, NYLON",2,2,2,2,2,,,,,,,,,,,,,  
37,2,,24311-240100,, "O-RING 1A P-10A",1,1,1,1,1,,,,,,,,,,,,,  
38,1,,124766-59050,, "CLAMP 12",6,6,6,6,6,,,,,,,,,,,,,  
39,1,,1E6451-77620,, "PIPE, FUEL",1,1,1,1,1,,,,,,,,,,,,,  
40,1,,22217-080000,, "SPRING WASHER 8",1,1,1,1,1,,,,,,,,,,,,,  
41,1,,26116-080702,, "BOLT M 8X 70 PLATED",1,1,1,1,1,,,,,,,,,,,,,  
42,1,,933152-09280,, "BAND 170",1,1,1,1,1,,,,,,,,,,,,,  
43,1,,933110-00301,, "KEY ASSY",1,1,1,1,1,,,,,,,,,,,,,

Fig. 13 F.O. タンク & F.O. パイプ  
FUEL TANK & FUEL LINE



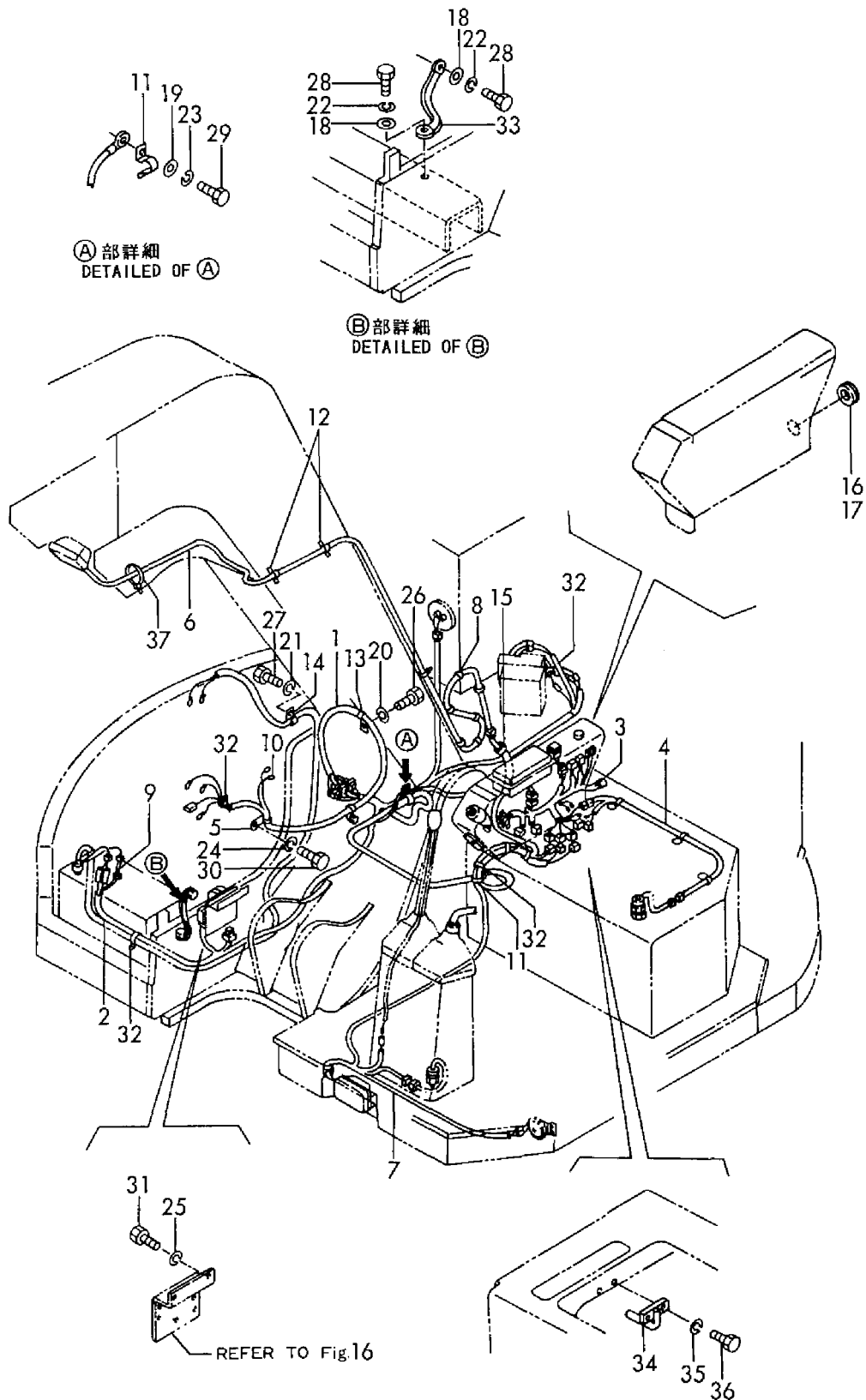
1,1,,172162-16100,, "BATTERY 130E41R",1,1,1,1,1,,,,,,,,,,,,,  
2,1,,172162-16110,, "CORD,BATTERY POS.",1,1,1,1,1,,,,,,,,,,,,,  
3,1,,172162-16120,, "CORD,BATTERY NEG.",1,1,1,1,1,,,,,,,,,,,,,  
4,1,,172112-16650,, CLAMP(B),2,2,2,2,2,,,,,,,,,,,,,  
5,1,,124550-77030,, "COVER, TERMINAL",1,1,1,1,1,,,,,,,,,,,,,  
6,1,,22217-080000,, "SPRING WASHER 8",1,1,1,1,1,,,,,,,,,,,,,  
7,1,,22217-100000,, "SPRING WASHER 10",1,1,1,1,1,,,,,,,,,,,,,  
8,1,,26716-080002,, "NUT M 8",1,1,1,1,1,,,,,,,,,,,,,  
9,1,,26716-100002,, "NUT 10",1,1,1,1,1,,,,,,,,,,,,,  
10,1,,172112-16201,, "RETAINER, BATTERY",1,1,1,1,1,,,,,,,,,,,,,  
11,1,,172162-16300,, "MOUNT COMP.,BATTERY",1,1,,,,,,,,,,,,,  
11-1,1,,172162-16301,, "MOUNT  
COMP.,BATTERY",1,1,1,1,1,,S,,72162132,M00504,72162132,M00504,,,,,,,,,  
12,1,,22157-080000,, "WASHER 8",2,2,2,2,2,,,,,,,,,,,,,  
13,1,,26013-100252,, "BOLT W/WASHER M10X25",4,4,4,4,4,,,,,,,,,,,,,  
14,1,,26716-080002,, "NUT M 8",4,4,4,4,4,,,,,,,,,,,,,  
15,1,,933171-15710,, "ROD(B), BATTERY FIX",2,2,2,2,2,,,,,,,,,,,,,  
16,1,,22137-100000,, "WASHER  
10,POLISHED",2,2,2,2,2,,W,,72162132,M00504,72162132,M00504,,,,,,,,,  
17,1,,26013-100202,, "BOLT W/WASHER  
M10X20",2,2,2,2,2,,W,,72162132,M00504,72162132,M00504,,,,,,,,,

Fig. 14 バッテリ BATTERY



1,1,,172162-16500,, "HARNESS A,WIRE",1,1,,,,,,,,,,,,,  
1-1,1,,172162-16501,, "HARNESS A,WIRE",1,1,1,1,1,1,N,,72162165,"FROM  
1ST",72162165,"FROM 1ST",,,,,,  
2,1,,172162-16510,, "HARNESS B,WIRE",1,1,,,,,,,,,,,,,  
2-1,1,,172162-16511,, "HARNESS B,WIRE",1,1,1,1,1,1,N,,72162165,"FROM  
1ST",72162165,"FROM 1ST",,,,,,  
3,1,,172162-16520,, "HARNESS C,WIRE",1,1,,,,,,,,,,,,,  
3-1,1,,172162-16521,, "HARNESS C,WIRE",1,1,1,1,1,1,N,,72162165,"FROM  
1ST",72162165,"FROM 1ST",,,,,,  
3-2,1,,172162-16522,, "WIRE HARNESS  
C",1,1,1,1,1,1,N,,72165273,M01166,72165273,M01166,72165273,M01166,72165273,M01166  
,72165273,M01166,,,I  
4,1,,172162-16530,, "HARNESS D,WIRE",1,1,1,1,1,1,,,,,,,,,,,,,  
5,1,,172126-16540,, "CLAMP 10X70",2,2,2,2,2,2,,,,,,,,,,,,,  
6,1,,172162-16540,, "HARNESS E,WIRE",1,1,,,,,,,,,,,,,  
6-1,1,,172162-16541,, "HARNESS  
B,WIRE",1,1,1,1,1,1,S,,72162308,M00550,72162308,M00550,,,,,,,,,I  
7,1,,172162-16550,, "HARNESS F,WIRE",1,1,,,,,,,,,,,,,  
7-1,1,,172162-16551,, "HARNESS F,  
WIRE",1,1,1,1,1,1,R,,72162308,M00550,72162308,M00550,,,,,,,,,I  
8,1,,172137-16560,,BAND,9,9,,,,,,,,,,,,,  
8-1,1,,172137-  
16560,,BAND,8,8,8,8,8,8,K,,72162365,M00653,72162365,M00653,,,,,,,,,I  
9,1,,172122-16570,, "LINK, FUSIBLE",1,1,1,1,1,1,,,,,,,,,,,,,  
10,1,,172162-16570,, "HARNESS H,WIRE",1,1,1,1,1,1,,,,,,,,,,,,,  
11,1,,172112-16650,,CLAMP(B),2,2,2,2,2,2,,,,,,,,,,,,,  
12,1,,194940-51450,, "CLAMP,LIGHT CORD",4,4,4,4,4,4,,,,,,,,,,,,,  
13,1,,194440-51620,, "CLAMP, WIRE HARNESS",3,3,3,3,3,3,,,,,,,,,,,,,  
14,1,,194440-51620,, "CLAMP, WIRE HARNESS",1,1,1,1,1,1,,,,,,,,,,,,,  
15,1,,172162-61850,,GROMMET,1,1,1,1,1,1,,,,,,,,,,,,,  
16,1,,172137-66230,,GROMMET,1,,1,1,1,1,,,,,,,,,,,,,  
17,1,,172112-69790,, "PLUG 32X2",,1,,,,,,,,,,,,,  
18,1,,22137-100000,, "WASHER 10,POLISHED",2,2,2,2,2,2,,,,,,,,,,,,,  
19,1,,22137-100000,, "WASHER 10,POLISHED",3,3,3,3,3,3,,,,,,,,,,,,,  
20,1,,22217-080000,, "SPRING WASHER 8",3,3,3,3,3,3,,,,,,,,,,,,,  
21,1,,22217-080000,, "SPRING WASHER 8",1,1,1,1,1,1,,,,,,,,,,,,,  
22,1,,22217-100000,, "SPRING WASHER 10",2,2,2,2,2,2,,,,,,,,,,,,,  
23,1,,22217-100000,, "SPRING WASHER 10",3,3,3,3,3,3,,,,,,,,,,,,,  
24,1,,22217-100000,, "SPRING WASHER 10",2,2,2,2,2,2,,,,,,,,,,,,,  
25,1,,22217-100000,, "SPRING WASHER 10",2,2,2,2,2,2,,,,,,,,,,,,,  
26,1,,26116-080162,, "BOLT 8X16",3,3,3,3,3,3,,,,,,,,,,,,,  
27,1,,26116-080162,, "BOLT 8X16",1,1,1,1,1,1,,,,,,,,,,,,,  
28,1,,26116-100162,, "BOLT M10X 16 PLATED",2,2,2,2,2,2,,,,,,,,,,,,,  
29,1,,26116-100162,, "BOLT M10X 16 PLATED",3,3,3,3,3,3,,,,,,,,,,,,,  
30,1,,26116-100162,, "BOLT M10X 16 PLATED",2,2,2,2,2,2,,,,,,,,,,,,,  
31,1,,26116-100202,, "BOLT M10X 20 PLATED",2,2,2,2,2,2,,,,,,,,,,,,,  
32,1,,933168-55770,, "BAND 146",11,11,11,11,11,11,,,,,,,,,,,,,  
33,1,,933171-15801,, "WIRE, EARTH",1,1,1,1,1,1,,,,,,,,,,,,,  
34,1,,172162-16600,, "STAY  
COMP.,HARNESS",1,1,1,1,1,1,W,,72162129,M00504,72162129,M00504,,,,,,,,,  
35,1,,22217-080000,, "SPRING WASHER  
8",2,2,2,2,2,2,W,,72162129,M00504,72162129,M00504,,,,,,,,,  
36,1,,26116-080162,, "BOLT  
8X16",2,2,2,2,2,2,W,,72162129,M00504,72162129,M00504,,,,,,,,,  
37,1,,172126-16540,, "CLAMP  
10X70",1,1,1,1,1,1,W,,72162365,M00653,72162365,M00653,,,,,,,,,

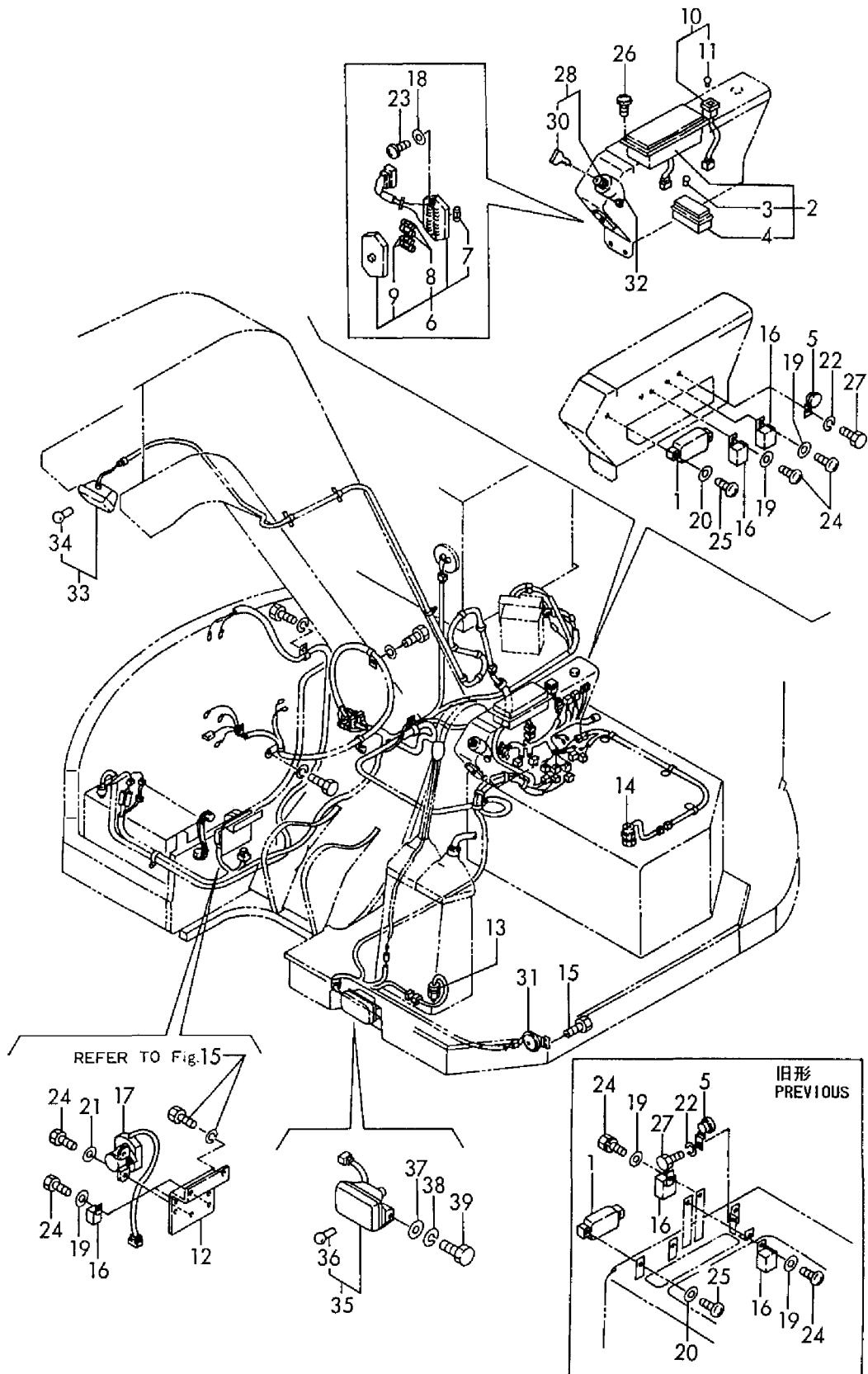
Fig. 15 電装品(ワイヤリング:キャビン,キャノピ共通)  
ELECTRIC PART(WIRING:CABIN,CANOPI)



1,1,,172151-17100,, "LAMP, CHECKER",1,1,1,1,1,,,,,,,,,,,,,  
2,1,,172162-17100,, "BOX ASSY, INDICATOR",1,1,,,,,,,,,,,,,  
2-1,1,,172162-17101,, "BOX ASSY,  
INDICATOR",1,1,1,1,1,,N,,72162464,M01119,72162464,M01119,,,,,,,,,  
3,2,,172162-17120,, VALVE,4,4,4,4,4,,,,,,,,,,,,,  
4,2,,172162-  
17130,, HOURMETER,1,1,1,1,1,,W,,72162464,M01119,72162464,M01119,,,,,,,,,  
5,1,,172141-17150,, BUZZER,1,1,1,1,1,,,,,,,,,,,,,  
6,1,,172141-17160,, "BOX, FUSE",1,1,,,,,,,,,,,,,  
6-1,1,,172141-17161,, "BOX,  
FUSE",1,1,1,1,1,,N,,72165378,M00850,72165378,M00850,,,,,,,,,I  
7,2,,29411-050000,, "FUSE (  
5A), CARTRIDGE",1,1,,,,,Z,,72165378,M00850,72165378,M00850,,,,,,,,,  
8,2,,29411-100000,, "FUSE  
(10A), CARTRIDGE",2,2,,,,,Z,,72165378,M00850,72165378,M00850,,,,,,,,,  
9,2,,29411-150000,, "FUSE (15A), CARTRIDGE",2,2,,,,,,,,,,,,,  
9-1,2,,29411-150000,, "FUSE  
(15A), CARTRIDGE",5,5,5,5,5,,K,,72165378,M00850,72165378,M00850,,,,,,,,,I  
10,1,,172141-17190,, "SWITCH, WORK LAMP",1,1,1,1,1,,,,,,,,,,,,,  
11,2,,172141-17230,, "BULB 24V- 6W",1,1,1,1,1,,,,,,,,,,,,,  
12,1,,172162-17200,, "BRACKET COMPL.",1,1,1,1,1,,,,,,,,,,,,,  
13,1,,194464-52190,, "SWITCH, SAFETY START",1,1,1,1,1,,,,,,,,,,,,,  
14,1,,194464-52190,, "SWITCH, SAFETY START",1,1,,,,,,,,,,,,,  
14-1,1,,172164-17140,, SWITCH,1,1,1,1,1,,S,,72168272,"M/# 01167",72168272,"M/#  
01167",,,,,,,,,,I  
15,1,,1A1380-62480,, "BOLT 6X12, SLIT",2,2,2,2,2,,,,,,,,,,,,,  
16,1,,119247-77100,, "RELAY, SAFETY",4,4,4,4,4,,,,,,,,,,,,,  
17,1,,129432-77100,, RELAY,1,1,1,1,1,,,,,,,,,,,,,  
18,1,,22137-050000,, "WASHER 5, POLISHED",2,2,2,2,2,,,,,,,,,,,,,  
19,1,,22137-060000,, "WASHER 6, POLISHED",4,4,4,4,4,,,,,,,,,,,,,  
20,1,,22137-060000,, "WASHER 6, POLISHED",2,2,2,2,2,,,,,,,,,,,,,  
21,1,,22137-060000,, "WASHER 6, POLISHED",2,2,2,2,2,,,,,,,,,,,,,  
22,1,,22217-060000,, "SPRING WASHER 6",1,1,1,1,1,,,,,,,,,,,,,  
23,1,,26022-050162,, "SCREW M 5X 16",2,2,2,2,2,,,,,,,,,,,,,  
24,1,,26022-060122,, "SCREW M 6X 12",6,6,6,6,6,,,,,,,,,,,,,  
25,1,,26022-060202,, "SCREW M 6X 20",2,2,2,2,2,,,,,,,,,,,,,  
26,1,,26589-040202,, "SCREW M4, BINDING",4,4,4,4,4,,,,,,,,,,,,,  
27,1,,26116-060122,, "BOLT 6X12",1,1,1,1,1,,,,,,,,,,,,,  
28,1,,933110-00100,, "SWITCH ASSY, STARTER",1,1,1,1,1,,,,,,,,,,,,,  
30,2,,933110-00301,, "KEY ASSY",1,1,1,1,1,,,,,,,,,,,,,  
31,1,,933110-05300,, HORN,1,1,1,1,1,,,,,,,,,,,,,  
32,1,,933113-15900,, "COVER, SWITCH TERMI.",1,1,1,1,1,,,,,,,,,,,,,  
33,1,,172162-17400,, "LAMP COMP, WORKING",1,1,1,1,1,,,,,,,,,,,,,  
34,2,,172141-17211,, "BULB 12V55W",1,1,1,1,1,,W,,72162287,"FROM  
1ST",72162287,"FROM 1ST",,,,,,,,,,  
35,1,,172162-17410,, "LAMP ASSY, HEADLIGHT",1,1,1,1,1,,,,,,,,,,,,,  
36,2,,29220-788200,, BULB,1,1,1,1,1,,W,,72162287,"FROM 1ST",72162287,"FROM  
1ST",,,,,,,,,,  
37,1,,933152-02900,, WASHER,2,2,2,2,2,,,,,,,,,,,,,  
38,1,,22217-080000,, "SPRING WASHER 8",2,2,2,2,2,,,,,,,,,,,,,  
39,1,,26116-080162,, "BOLT 8X16",2,2,2,2,2,,,,,,,,,,,,,

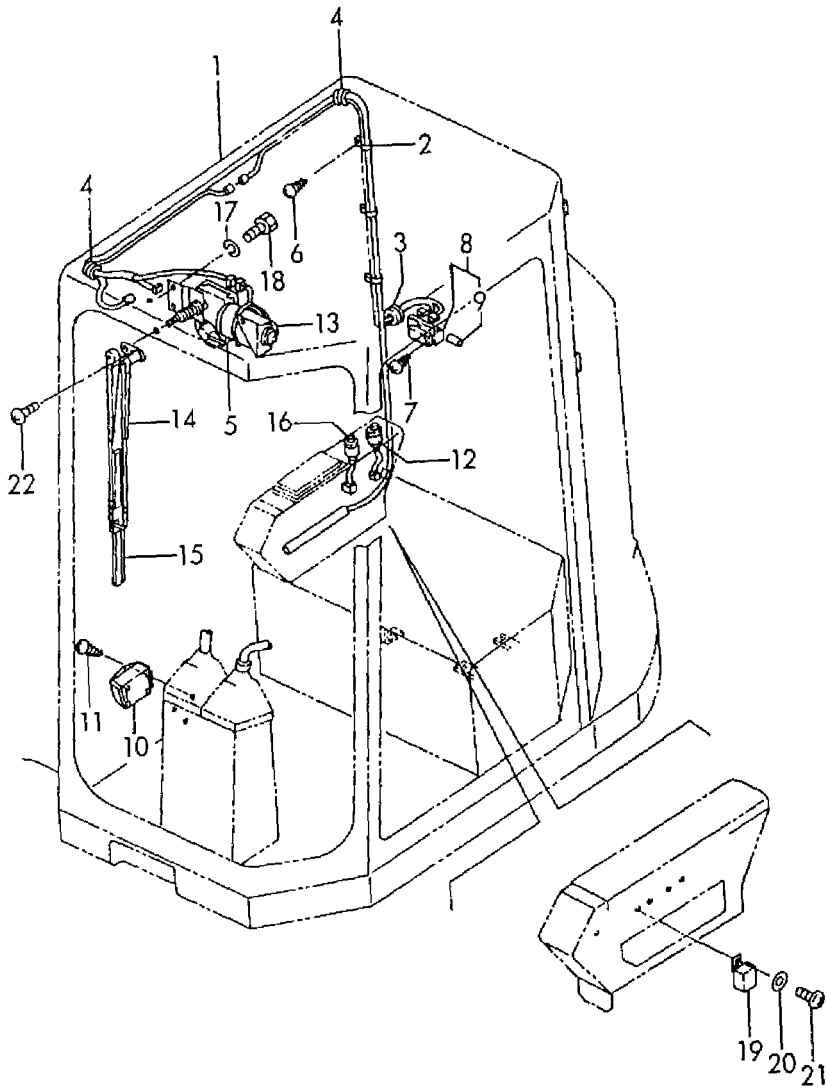


Fig. 16 電装品(機器:キャビン, キャノピー 共通)  
ELECTRIC PART(EQUIPMENT: CABIN, CANOPY)



1,1,,172162-16560,, "HARNESS G,WIRE",1,,1,1,1,,,,,,,,,,,,,  
2,1,,172122-16590,, "BAND 200F",3,,3,3,3,,,,,,,,,,,,,  
3,1,,172137-62970,, "GROMMET 16",1,,1,1,1,,,,,,,,,,,,,  
4,1,,172137-66230,, GROMMET,2,,2,2,2,,,,,,,,,,,,,  
5,1,,172122-79890,, "CLAMP 350",1,,1,1,1,,,,,,,,,,,,,  
6,1,,22857-400120,, "SCREW 4X12",3,,3,3,3,,,,,,,,,,,,,  
7,1,,22857-400100,, "SCREW 4X10",2,,2,2,2,,,,,,,,,,,,,  
8,1,,933113-05150,, "LAMP, ROOM",1,,1,1,1,,,,,,,,,,,,,  
9,2,,933113-05160,, "BULB (12V5W)",1,,1,1,1,,,,,,,,,,,,,  
10,1,,172312-17250,, ASHTRAY,1,,1,1,1,,,,,,,,,,,,,  
11,1,,22867-400100,, "SCREW 4X10",3,,3,3,3,,,,,,,,,,,,,  
12,1,,933113-15000,, "CIGAR LIGHTER ASSY",1,,1,1,1,,,,,,,,,,,,,  
13,1,,172162-17300,, "MOTOR 520A,WIPER",1,,1,1,1,,,,,,,,,,,,,  
14,1,,172162-17310,, "ARM 450,WIPER",1,,1,1,1,,,,,,,,,,,,,  
15,1,,172162-17320,, "BLADE 400,WIPER",1,,1,1,1,,,,,,,,,,,,,  
16,1,,172162-17330,, "SWITCH,WIPER",1,,1,1,1,,,,,,,,,,,,,  
17,1,,22217-060000,, "SPRING WASHER 6",3,,3,3,3,,,,,,,,,,,,,  
18,1,,26116-060122,, "BOLT 6X12",3,,3,3,3,,,,,,,,,,,,,  
19,1,,119247-77100,, "RELAY, SAFETY",1,,1,1,1,,W,,72168273,\*1995.06,,,,,,,,,,,,,I  
20,1,,22137-060000,, "WASHER 6,  
POLISHED",1,,1,1,1,,W,,72168273,\*1995.06,,,,,,,,,,,,,I  
21,1,,26022-060122,, "SCREW M 6X 12",1,,1,1,1,,W,,72168273,\*1995.06,,,,,,,,,,,,,I  
22,1,,26559-050162,, SCREW,1,,1,1,1,,W,,72162374,"FROM 1ST",,,,,,,,,,,,,,I

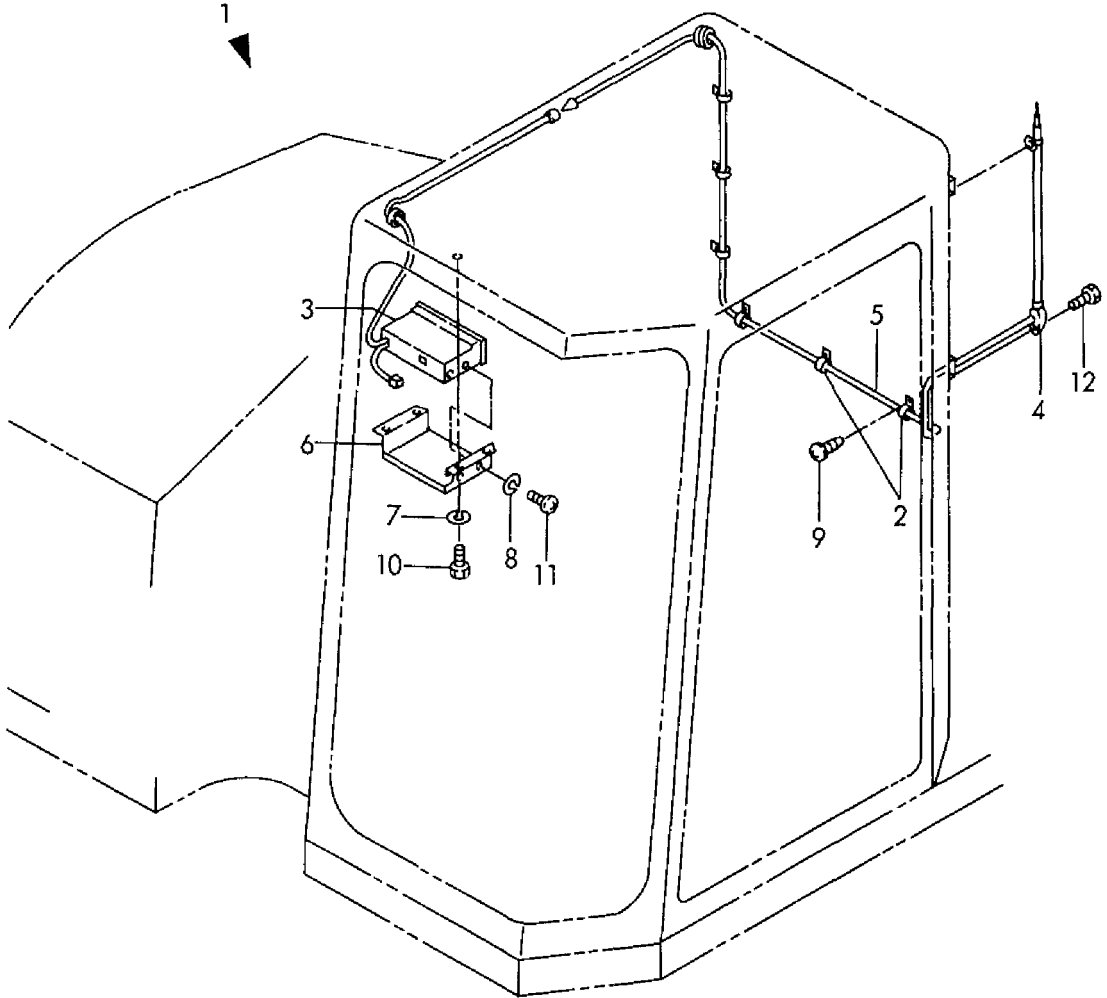
Fig. 17 電装品(キャビン専用)  
ELECTRIC PART(CABIN)



1,1,,772162-17800,, "RADIO ASSY.",1,,,,,,,,,,,,,,,,,,,,,  
2,2,,172122-16590,, "BAND 200F",3,,,,,,,,,,,,,,,,,,,,,  
3,2,,172162-17800,, RADIO,1,,,,,,,,,,,,,,,,,,,,,  
4,2,,172162-17810,, ANTENNA,1,,,,,,,,,,,,,,,,,,,,,  
5,2,,172162-17820,, "CORD,ANT.EXTENSION",1,,,,,,,,,,,,,,,,,,,,,  
6,2,,172162-17850,, "BRACKET,RADIO",1,,,,,,,,,,,,,,,,,,,,,  
7,2,,22217-080000,, "SPRING WASHER 8",4,,,,,,,,,,,,,,,,,,,,,  
8,2,,22217-080000,, "SPRING WASHER 8",4,,,,,,,,,,,,,,,,,,,,,  
9,2,,22857-400120,, "SCREW 4X12",3,,,,,,,,,,,,,,,,,,,,,  
10,2,,26116-080162,, "BOLT 8X16",4,,,,,,,,,,,,,,,,,,,,,  
11,2,,26557-080102,, "SCREW M 8X 10",4,,,,,,,,,,,,,,,,,,,,,  
12,2,,26022-040162,, "SCREW M 4X 16",2,,,,,,,,,,,,,,,,,,,,,

Fig. 18 ラジオ  
RADIO

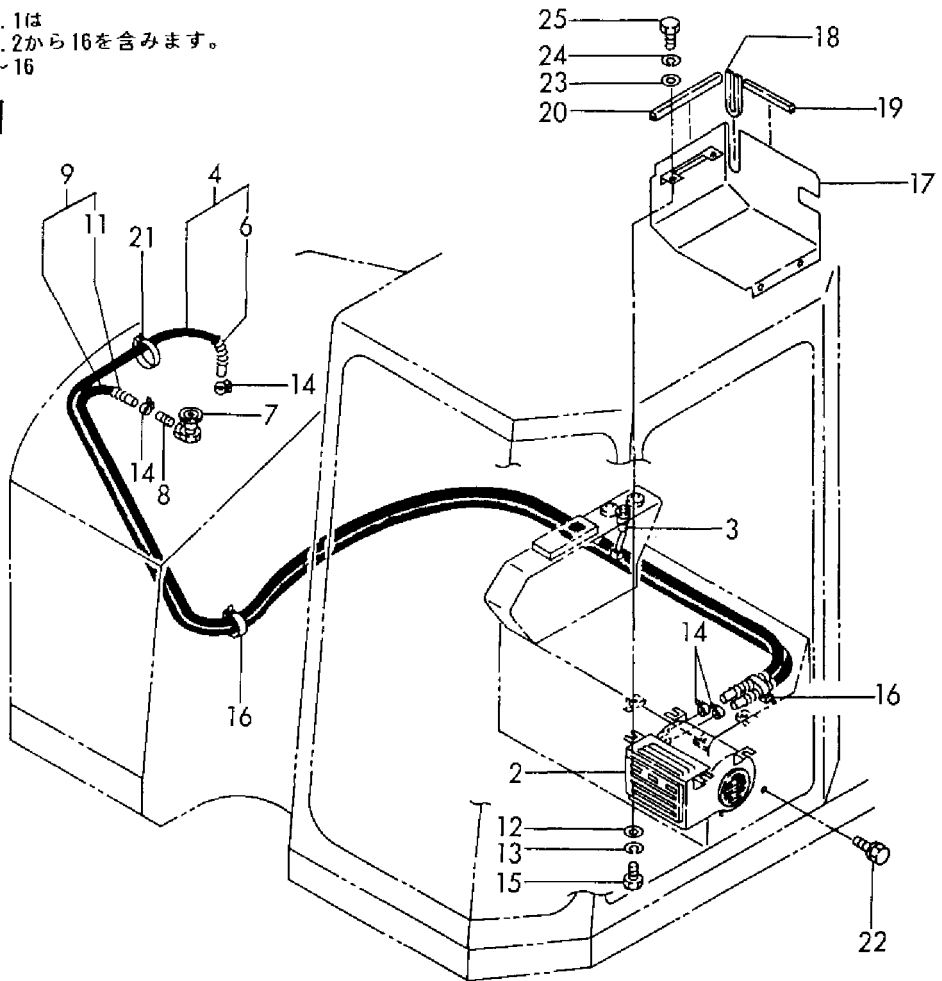
見出しNo. 1は  
見出しNo. 2から12を含みます。  
1 INC. 2~12



1,1,,772162-17600,, "HEATER ASSY.",1,,,,,1,,,,,  
2,2,,172162-17600,, "HEATER COMPL.",1,,,,,  
2-1,2,,172162-17601,, HEATER,1,,1,1,1,,N,,72162438,M00971,,,,,I  
3,2,,172162-17610,, "SWITCH,HEATER",1,,1,1,1,,,,,  
4,2,,172162-17620,, "HOSE 3850 CMP,HEATER",1,,1,1,1,,,,,  
6,3,,172162-17640,, "TUBE,CORRUGATED",1,,1,1,1,,,,,  
7,2,,172124-17630,, "VALVE, MINIATURE",1,,1,1,1,,,,,  
8,2,,172124-17640,, "JOINT 3/8",2,,2,2,2,,,,,  
9,2,,172162-17650,, "HOSE 3100 CMP,HEATER",1,,1,1,1,,,,,  
11,3,,172162-17670,, "TUBE,CORRUGATED",1,,1,1,1,,,,,  
12,2,,22137-100000,, "WASHER 10,POLISHED",3,,,,,  
13,2,,22217-100000,, "SPRING WASHER 10",3,,,,,  
14,2,,23000-022000,, "CLAMP 22",4,,4,4,4,,,,,  
15,2,,26116-100162,, "BOLT M10X 16 PLATED",3,,,,,  
16,2,,933152-09280,, "BAND 170",3,,3,3,3,,,,,  
17,1,,172162-17500,, COVER,1,,1,1,1,,W,,72162433,M00937,,,,,I  
18,1,,172162-17540,, SEAL,1,,1,1,1,,W,,72162433,M00937,,,,,I  
19,1,,172162-17560,, SEAL,1,,1,1,1,,W,,72162433,M00937,,,,,I  
20,1,,172168-65790,, RUBBER,1,,1,1,1,,W,,72162452,M00996,,,,,I  
21,1,,172122-79890,, "CLAMP 350",1,,1,1,1,,W,,72162365,M00653,,,,,I  
22,1,,26013-080202,, "BOLT W/WASHER  
M8X20",2,,2,2,2,,W,,72162433,M00937,,,,,I  
23,2,,22137-100000,, "WASHER  
10,POLISHED",1,,1,1,1,,W,,72162433,M00937,,,,,I  
24,2,,22217-100000,, "SPRING WASHER 10",1,,1,1,1,,W,,72162433,M00937,,,,,I  
25,2,,26116-100162,, "BOLT M10X 16  
PLATED",1,,1,1,1,,W,,72162433,M00937,,,,,I

Fig. 19 ヒータ  
HEATER

見出しNo. 1は  
見出しNo. 2から16を含みます。  
1 INC. 2~16



1,1,,172162-08100,, "REMODEL KIT, COOLER",1,,,,,,,,,,,,,  
2,2,,172162-03110,, "LABEL, SMALL",1,,,,,,,,,,,,,  
3,2,,172519-03680,, "LABEL, BRAND",1,,,,,,,,,,,,,  
4,2,,172122-17190,, CLIP,1,,,,,,,,,,,,,  
5,2,,172162-17500,, COVER,1,,,,,,,,,,,,,  
6,2,,172162-17540,, SEAL,1,,,,,,,,,,,,,  
7,2,,172162-17560,, SEAL,1,,,,,,,,,,,,,  
8,2,,172162-18430,, "SEAL, BONNET",1,,,,,,,,,,,,,  
9,2,,172162-61930,, COVER,1,,,,,,,,,,,,,  
10,2,,172162-61950,, LABEL,1,,,,,,,,,,,,,  
11,2,,172162-62850,, PLATE,1,,,,,,,,,,,,,  
12,2,,172519-63240,, "BOLT 8X 16",4,,,,,,,,,,,,,  
13,2,,172149-64360,, "PLATE, FRAME(L)",1,,,,,,,,,,,,,  
14,2,,172168-65790,, RUBBER,1,,,,,,,,,,,,,  
15,2,,172162-65800,, "COVER B COMPL.",1,,,,,,,,,,,,,  
16,2,,172162-67400,, "ROOF, CABIN",1,,,,,,,,,,,,,  
17,2,,172162-67580,, COVER,1,,,,,,,,,,,,,  
18,2,,172162-67590,, SEAL,1,,,,,,,,,,,,,  
19,2,,172162-67600,, "WINDOW, ROOF",1,,,,,,,,,,,,,  
20,2,,172162-67610,, "GUARD COMP., ROOF",1,,,,,,,,,,,,,  
21,2,,22137-080000,, "WASHER 8, POLISHED",8,,,,,,,,,,,,,  
22,2,,22137-100000,, "WASHER 10, POLISHED",1,,,,,,,,,,,,,  
23,2,,22190-080000,, "SEAL WASHER 8(BOLT)",4,,,,,,,,,,,,,  
24,2,,22217-080000,, "SPRING WASHER 8",8,,,,,,,,,,,,,  
25,2,,22217-100000,, "SPRING WASHER 10",1,,,,,,,,,,,,,  
26,2,,26013-080202,, "BOLT W/WASHER M8X20",2,,,,,,,,,,,,,  
27,2,,26116-080162,, "BOLT 8X16",8,,,,,,,,,,,,,  
28,2,,26116-080202,, "BOLT M 8X 20 PLATED",6,,,,,,,,,,,,,  
29,2,,26116-100162,, "BOLT M10X 16 PLATED",1,,,,,,,,,,,,,  
30,2,,172162-67980,, "M1A688301 Y QZ",1,1,,,,,,,,,,,,,  
31,2,,172162-67990,, "MBG201400 Y QZ",1,1,,,,,,,,,,,,,  
32,2,,172162-68620,, "SUPPORT, DASHBOARD",2,1,,,,,,,,,,,,,  
33,2,,22217-080000,, "SPRING WASHER 8",2,,,,,,,,,,,,,  
34,2,,26116-080162,, "BOLT 8X16",2,,,,,,,,,,,,,



# Fig. 20 クーラ(カバー-関連) COOLER(COVER RELATED)

クーラ改装キット  
COOLER REMODEL KIT  
172162-08100

項目No. 20の見出しNo. 1は  
項目No. 20の見出しNo. 2から34と  
項目No. 21の見出しNo. 1から13と  
項目No. 22の見出しNo. 1から30と  
項目No. 23の見出しNo. 1から26と  
項目No. 24の見出しNo. 1から34と  
項目No. 25の見出しNo. 1から18と  
項目No. 26の見出しNo. 1から21を含みます。

Fig. 20 Ref. No. 1

INC Fig. 20 Ref. No. 2~34

Fig. 21 Ref. No. 1~13

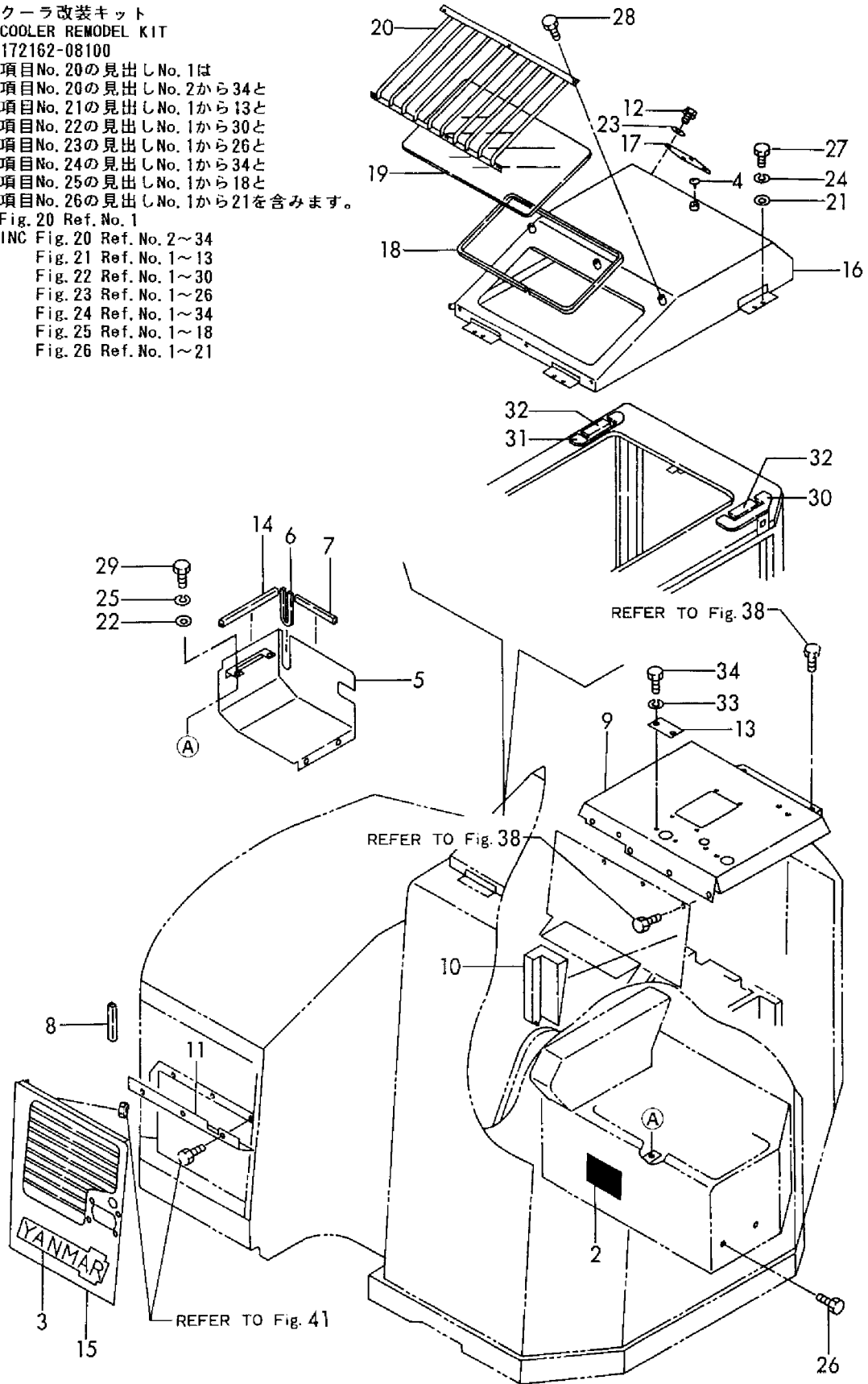
Fig. 22 Ref. No. 1~30

Fig. 23 Ref. No. 1~26

Fig. 24 Ref. No. 1~34

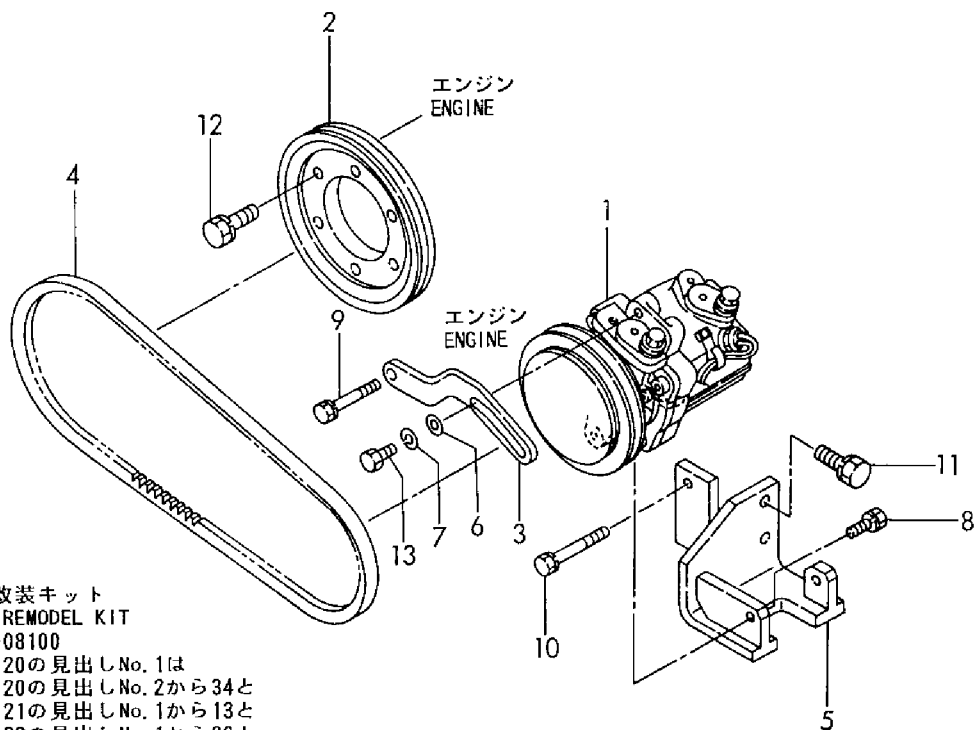
Fig. 25 Ref. No. 1~18

Fig. 26 Ref. No. 1~21



1,2,,172162-18020,,COMPRESSOR,1,,,,,,,,,,,,,,,,,,,,,  
2,2,,172162-18750,,V-PULLEY,1,,,,,,,,,,,,,,,,,,,,,  
3,2,,172162-18760,, "ADJUSTER, BELT",1,,,,,,,,,,,,,,,,,,,,,  
4,2,,172162-18770,,V-BELT,1,,,,,,,,,,,,,,,,,,,,,  
5,2,,172162-18780,,BRACKET,1,,,,,,,,,,,,,,,,,,,,,  
6,2,,22137-080000,, "WASHER 8, POLISHED",2,,,,,,,,,,,,,,,,,,,,,  
7,2,,22217-080000,, "SPRING WASHER 8",2,,,,,,,,,,,,,,,,,,,,,  
8,2,,26013-080252,, "BOLT M 8X 25",2,,,,,,,,,,,,,,,,,,,,,  
9,2,,26013-080502,, "BOLT M 8X 50",1,,,,,,,,,,,,,,,,,,,,,  
10,2,,26013-080552,, "BOLT M 8X 55",1,,,,,,,,,,,,,,,,,,,,,  
11,2,,26013-100302,, "BOLT M10X 30",2,,,,,,,,,,,,,,,,,,,,,  
12,2,,26013-100302,, "BOLT M10X 30",6,,,,,,,,,,,,,,,,,,,,,  
13,2,,26116-080202,, "BOLT M 8X 20 PLATED",2,,,,,,,,,,,,,,,,,,,,,

Fig. 21 クーラ(コンプレッサ関連)  
COOLER (COMPRESSOR RELATED)



クーラ改装キット  
COOLER REMODEL KIT  
172162-08100

項目No. 20の見出しNo. 1は  
項目No. 20の見出しNo. 2から34と  
項目No. 21の見出しNo. 1から13と  
項目No. 22の見出しNo. 1から30と  
項目No. 23の見出しNo. 1から26と  
項目No. 24の見出しNo. 1から34と  
項目No. 25の見出しNo. 1から18と  
項目No. 26の見出しNo. 1から21を含みます。

Fig. 20 Ref. No. 1

INC Fig. 20 Ref. No. 2~34

Fig. 21 Ref. No. 1~13

Fig. 22 Ref. No. 1~30

Fig. 23 Ref. No. 1~26

Fig. 24 Ref. No. 1~34

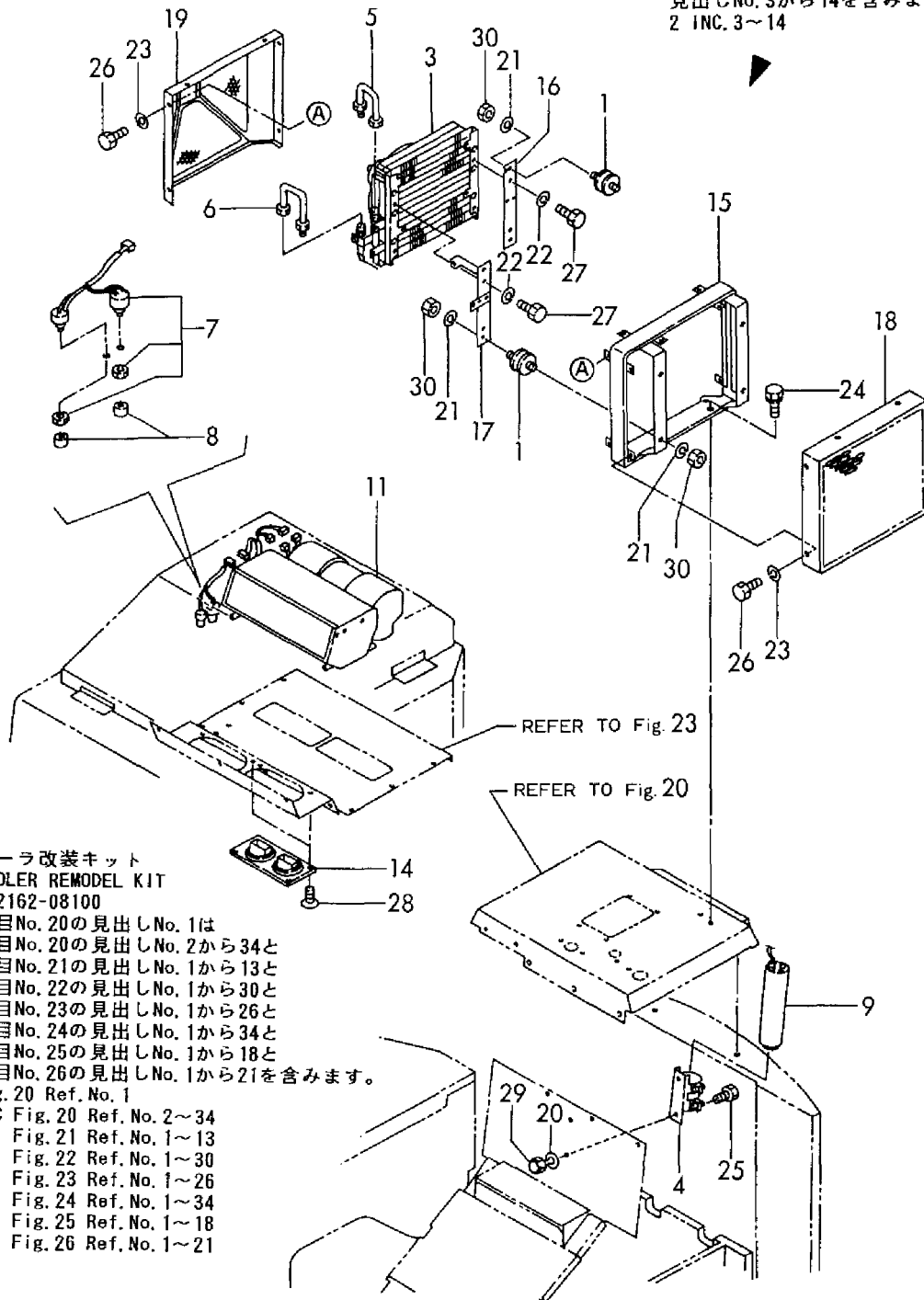
Fig. 25 Ref. No. 1~18

Fig. 26 Ref. No. 1~21

1,2,,172122-13310,, "MOUNT, RADIATOR",4,,,,,,,,,,,,,  
2,2,,172162-18000,, "COOLER NO.1 ASSY",1,,,,,,,,,,,,,  
3,3,,172162-18030,, CONDENSER,1,,,,,,,,,,,,,  
4,3,,172162-18040,, BRACKET,1,,,,,,,,,,,,,  
5,3,,172162-18160,, TUBE,1,,,,,,,,,,,,,  
6,3,,172162-18170,, TUBE,1,,,,,,,,,,,,,  
7,3,,1E8080-79430,, "SWITCH ASSY, CONTROL",1,,,,,,,,,,,,,  
8,3,,1E8080-79450,, "KNOB,FAN",2,,,,,,,,,,,,,  
9,3,,198325-87110,, DRYER,1,,,,,,,,,,,,,  
11,3,,198325-87200,, "CASE,LOWER",1,,,,,,,,,,,,,  
14,3,,197821-88070,, GRILLE,2,,,,,,,,,,,,,  
15,2,,172162-18500,, BRACKET,1,,,,,,,,,,,,,  
16,2,,172162-18580,, PLATE,1,,,,,,,,,,,,,  
17,2,,172162-18590,, PLATE,1,,,,,,,,,,,,,  
18,2,,172162-18640,, COVER,1,,,,,,,,,,,,,  
19,2,,172162-18650,, COVER,1,,,,,,,,,,,,,  
20,2,,22217-080000,, "SPRING WASHER 8",2,,,,,,,,,,,,,  
21,2,,22217-080000,, "SPRING WASHER 8",8,,,,,,,,,,,,,  
22,2,,22217-080000,, "SPRING WASHER 8",4,,,,,,,,,,,,,  
23,2,,22217-080000,, "SPRING WASHER 8",12,,,,,,,,,,,,,  
24,2,,26013-120252,, "BOLT M12X 25",4,,,,,,,,,,,,,  
25,2,,26116-080162,, "BOLT 8X16",2,,,,,,,,,,,,,  
26,2,,26116-080162,, "BOLT 8X16",12,,,,,,,,,,,,,  
27,2,,26116-080202,, "BOLT M 8X 20 PLATED",4,,,,,,,,,,,,,  
28,2,,26579-050162,, "SCREW 5\* 16",8,,,,,,,,,,,,,  
29,2,,26668-080002,, "NUT,CAP 8",2,,,,,,,,,,,,,  
30,2,,26716-080002,, "NUT M 8",8,,,,,,,,,,,,,

Fig. 22 クーラ(コンデ`ナ関連)  
COOLER(CONDENSER RELATED)

見出しNo. 2は  
見出しNo. 3から14を含みます。  
2 INC. 3~14



クーラ改装キット  
COOLER REMODEL KIT  
172162-08100

項目No. 20の見出しNo. 1は  
項目No. 20の見出しNo. 2から34と  
項目No. 21の見出しNo. 1から13と  
項目No. 22の見出しNo. 1から30と  
項目No. 23の見出しNo. 1から26と  
項目No. 24の見出しNo. 1から34と  
項目No. 25の見出しNo. 1から18と  
項目No. 26の見出しNo. 1から21を含みます。

Fig. 20 Ref. No. 1

INC Fig. 20 Ref. No. 2~34

Fig. 21 Ref. No. 1~13

Fig. 22 Ref. No. 1~30

Fig. 23 Ref. No. 1~26

Fig. 24 Ref. No. 1~34

Fig. 25 Ref. No. 1~18

Fig. 26 Ref. No. 1~21

1,2,,172162-18240,, "COVER A ASSY",1,,,,,,,,,,,,,  
2,2,,172162-18260,, "COVER B COMPL.",1,,,,,,,,,,,,,  
3,2,,172162-18280,, GRILLE,1,,,,,,,,,,,,,  
4,2,,172162-18290,, FILTER,1,,,,,,,,,,,,,  
5,2,,172162-18300,, "DUCT,COOLER",1,,,,,,,,,,,,,  
6,2,,172162-18340,, BRACKET,1,,,,,,,,,,,,,  
7,2,,172162-18350,, BRACKET,2,,,,,,,,,,,,,  
8,2,,172162-18360,, SEAL,1,,,,,,,,,,,,,  
9,2,,172162-18370,, SEAL,1,,,,,,,,,,,,,  
10,2,,172162-18380,, SEAL,1,,,,,,,,,,,,,  
11,2,,172162-18390,, SEAL,1,,,,,,,,,,,,,  
12,2,,172162-18400,, SEAL,1,,,,,,,,,,,,,  
13,2,,172162-18410,, SEAL,1,,,,,,,,,,,,,  
14,2,,194940-61790,, "SCRFW 5X16",5,,,,,,,,,,,,,  
15,2,,22137-050000,, "WASHER 5, POLISHED",12,,,,,,,,,,,,,  
16,2,,22137-080000,, "WASHER 8, POLISHED",6,,,,,,,,,,,,,  
17,2,,22217-050000,, "SPRING WASHER 5",9,,,,,,,,,,,,,  
18,2,,22217-050000,, "SPRING WASHER 5",6,,,,,,,,,,,,,  
19,2,,22217-050000,, "SPRING WASHER 5",6,,,,,,,,,,,,,  
20,2,,22217-080000,, "SPRING WASHER 8",11,,,,,,,,,,,,,  
21,2,,26116-080162,, "BOLT 8X16",8,,,,,,,,,,,,,  
22,2,,26116-080202,, "BOLT M 8X 20 PLATED",2,,,,,,,,,,,,,  
23,2,,26559-050162,, SCREW,9,,,,,,,,,,,,,  
24,2,,26559-050162,, SCREW,6,,,,,,,,,,,,,  
25,2,,26559-050162,, SCREW,6,,,,,,,,,,,,,  
26,2,,26716-080002,, "NUT M 8",1,,,,,,,,,,,,,

# Fig. 23 クーラ(キャビン ルーフ インナ-関連) COOLER(CABIN ROOF INNER RELATED)

クーラ改装キット  
COOLER REMODEL KIT  
172162-08100

項目No. 20の見出しNo. 1は  
項目No. 20の見出しNo. 2から34と  
項目No. 21の見出しNo. 1から13と  
項目No. 22の見出しNo. 1から30と  
項目No. 23の見出しNo. 1から26と  
項目No. 24の見出しNo. 1から34と  
項目No. 25の見出しNo. 1から18と  
項目No. 26の見出しNo. 1から21を含みます。

Fig. 20 Ref. No. 1

INC Fig. 20 Ref. No. 2~34

Fig. 21 Ref. No. 1~13

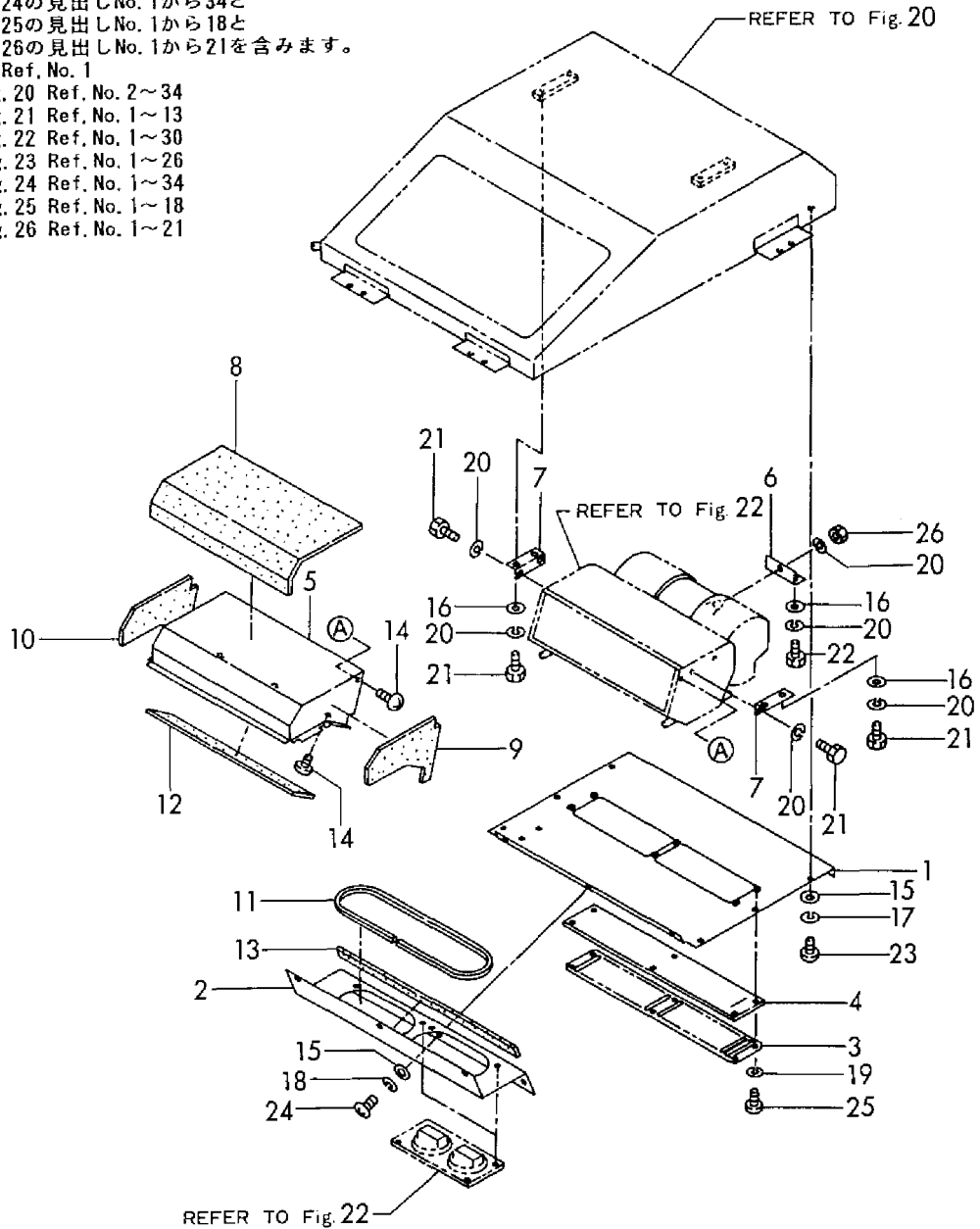
Fig. 22 Ref. No. 1~30

Fig. 23 Ref. No. 1~26

Fig. 24 Ref. No. 1~34

Fig. 25 Ref. No. 1~18

Fig. 26 Ref. No. 1~21

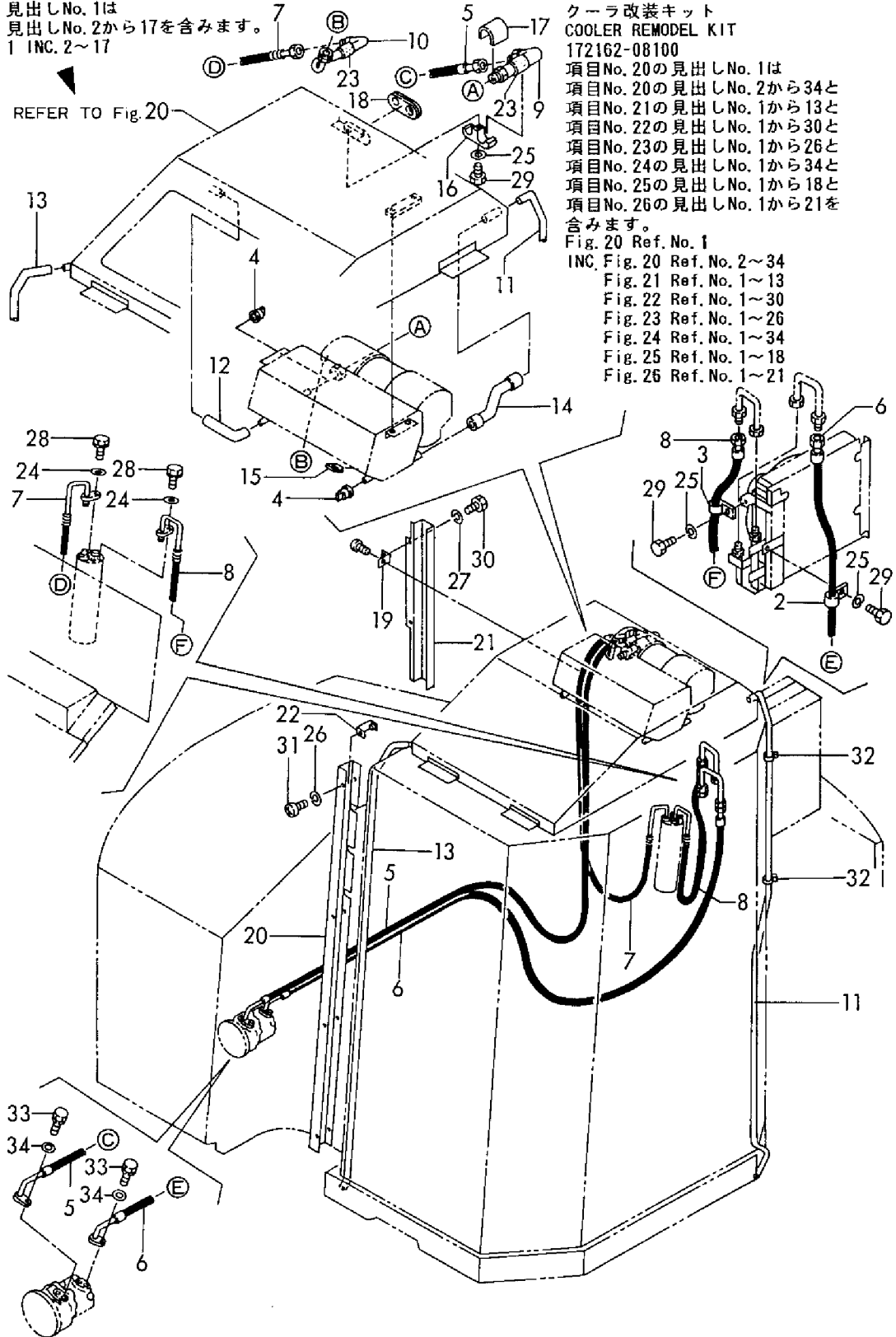


1,2,,172162-18010,, "COOLER NO2",1,,,,,,,,,,,,,,,,,,,,,  
2,3,,172162-18050,,CLAMP,1,,,,,,,,,,,,,,,,,,,,,  
3,3,,172162-18060,,CLAMP,1,,,,,,,,,,,,,,,,,,,,,  
4,3,,172162-18070,, "PLUG, DRAIN",2,,,,,,,,,,,,,,,,,,,,,  
5,3,,172162-18100,,HOSE,1,,,,,,,,,,,,,,,,,,,,,  
6,3,,172162-18110,,HOSE,1,,,,,,,,,,,,,,,,,,,,,  
7,3,,172162-18120,,HOSE,1,,,,,,,,,,,,,,,,,,,,,  
8,3,,172162-18130,,HOSE,1,,,,,,,,,,,,,,,,,,,,,  
9,3,,172162-18140,,HOSE,1,,,,,,,,,,,,,,,,,,,,,  
10,3,,172162-18150,,HOSE,1,,,,,,,,,,,,,,,,,,,,,  
11,3,,172162-18180,, "HOSE, DRAIN",1,,,,,,,,,,,,,,,,,,,,,  
12,3,,172162-18190,, "HOSE, DRAIN",1,,,,,,,,,,,,,,,,,,,,,  
13,3,,172162-18200,, "HOSE, DRAIN",1,,,,,,,,,,,,,,,,,,,,,  
14,3,,172165-18210,,HOSE,1,,,,,,,,,,,,,,,,,,,,,  
15,3,,1E8080-79470,, "NUT 4,JN",3,,,,,,,,,,,,,,,,,,,,,  
16,3,,1E8080-79480,, "CLIP C",1,,,,,,,,,,,,,,,,,,,,,  
17,3,,197821-88380,,INSULATOR,1,,,,,,,,,,,,,,,,,,,,,  
18,2,,172162-18420,,GROMMET,1,,,,,,,,,,,,,,,,,,,,,  
19,2,,172162-18450,,SUPPORT,2,,,,,,,,,,,,,,,,,,,,,  
20,2,,172162-18830,, "COVER, DRAIN",1,,,,,,,,,,,,,,,,,,,,,  
21,2,,172162-18840,,COVER,1,,,,,,,,,,,,,,,,,,,,,  
22,2,,172162-67960,, "BRACKET ASSY",4,,,,,,,,,,,,,,,,,,,,,  
23,2,,172147-78780,, "GUIDE,HOSE",2,,,,,,,,,,,,,,,,,,,,,  
24,2,,22137-060000,, "WASHER 6, POLISHED",2,,,,,,,,,,,,,,,,,,,,,  
25,2,,22217-060000,, "SPRING WASHER 6",4,,,,,,,,,,,,,,,,,,,,,  
26,2,,22217-060000,, "SPRING WASHER 6",8,,,,,,,,,,,,,,,,,,,,,  
27,2,,22217-080000,, "SPRING WASHER 8",2,,,,,,,,,,,,,,,,,,,,,  
28,2,,26013-060252,, "BOLT M 6X 25",2,,,,,,,,,,,,,,,,,,,,,  
29,2,,26116-060122,, "BOLT 6X12",4,,,,,,,,,,,,,,,,,,,,,  
30,2,,26116-080162,, "BOLT 8X16",2,,,,,,,,,,,,,,,,,,,,,  
31,2,,26589-060162,, "SCREW M6,BINDING",8,,,,,,,,,,,,,,,,,,,,,  
32,2,,933168-55770,, "BAND 146",5,,,,,,,,,,,,,,,,,,,,,  
33,2,,26013-080252,, "BOLT M 8X 25",2,,,,,,,,,,,,,,,,,,,,,  
34,2,,22137-080000,, "WASHER 8, POLISHED",2,,,,,,,,,,,,,,,,,,,,,



Fig. 24 クーラ(配管)  
COOLER(PIPING)

見出しNo. 1は  
見出しNo. 2から17を含みます。  
1 INC. 2~17



クーラ改装キット  
COOLER REMODEL KIT  
172162-08100

項目No. 20の見出しNo. 1は  
項目No. 20の見出しNo. 2から34と  
項目No. 21の見出しNo. 1から13と  
項目No. 22の見出しNo. 1から30と  
項目No. 23の見出しNo. 1から26と  
項目No. 24の見出しNo. 1から34と  
項目No. 25の見出しNo. 1から18と  
項目No. 26の見出しNo. 1から21を  
含みます。

Fig. 20 Ref. No. 1

INC. Fig. 20 Ref. No. 2~34

Fig. 21 Ref. No. 1~13

Fig. 22 Ref. No. 1~30

Fig. 23 Ref. No. 1~26

Fig. 24 Ref. No. 1~34

Fig. 25 Ref. No. 1~18

Fig. 26 Ref. No. 1~21

1,2,,172310-16080,, "BOLT, BATTERY",2,,,,,,,,,,,,,,,,,,,,,  
2,2,,172162-16200,,CLAMP,1,,,,,,,,,,,,,,,,,,,,,  
3,2,,172162-16250,, "MOUNT COMP.,BATTERY",1,,,,,,,,,,,,,,,,,,,,,  
4,2,,172162-16700,, "HARNESS, WIRE",1,,,,,,,,,,,,,,,,,,,,,  
5,2,,172162-16710,, "HARNESS, WIRE",1,,,,,,,,,,,,,,,,,,,,,  
6,2,,172162-16720,, "HARNESS, WIRE",1,,,,,,,,,,,,,,,,,,,,,  
7,2,,172162-16730,, "HARNESS, WIRE",1,,,,,,,,,,,,,,,,,,,,,  
8,2,,172162-16740,, "HARNESS, WIRE",1,,,,,,,,,,,,,,,,,,,,,  
9,2,,1A1040-45890,, "WASHER 10 36 4.5",1,,,,,,,,,,,,,,,,,,,,,  
10,2,,194250-51660,, "BAND 250",1,,,,,,,,,,,,,,,,,,,,,  
11,2,,119247-77100,, "RELAY, SAFETY",2,,,,,,,,,,,,,,,,,,,,,  
12,2,,22217-080000,, "SPRING WASHER 8",2,,,,,,,,,,,,,,,,,,,,,  
13,2,,22217-100000,, "SPRING WASHER 10",1,,,,,,,,,,,,,,,,,,,,,  
14,2,,26013-100252,, "BOLT W/WASHER M10X25",3,,,,,,,,,,,,,,,,,,,,,  
15,2,,26116-100452,, "BOLT M10X 45 PLATED",1,,,,,,,,,,,,,,,,,,,,,  
16,2,,26716-100002,, "NUT 10",1,,,,,,,,,,,,,,,,,,,,,  
17,2,,933168-55770,, "BAND 146",10,,,,,,,,,,,,,,,,,,,,,  
18,2,,172126-16540,, "CLAMP 10X70",1,,,,,,,,,1,,,,,,,,,,,,,

# Fig. 25 クーラ(電装品) COOLER(ELECTRIC PART)

クーラ改装キット  
COOLER REMODEL KIT  
172162-08100

項目No. 20の見出しNo. 1は  
項目No. 20の見出しNo. 2から34と  
項目No. 21の見出しNo. 1から13と  
項目No. 22の見出しNo. 1から30と  
項目No. 23の見出しNo. 1から26と  
項目No. 24の見出しNo. 1から34と  
項目No. 25の見出しNo. 1から18と  
項目No. 26の見出しNo. 1から21を含みます。

Fig. 20 Ref. No. 1

INC Fig. 20 Ref. No. 2~34

Fig. 21 Ref. No. 1~13

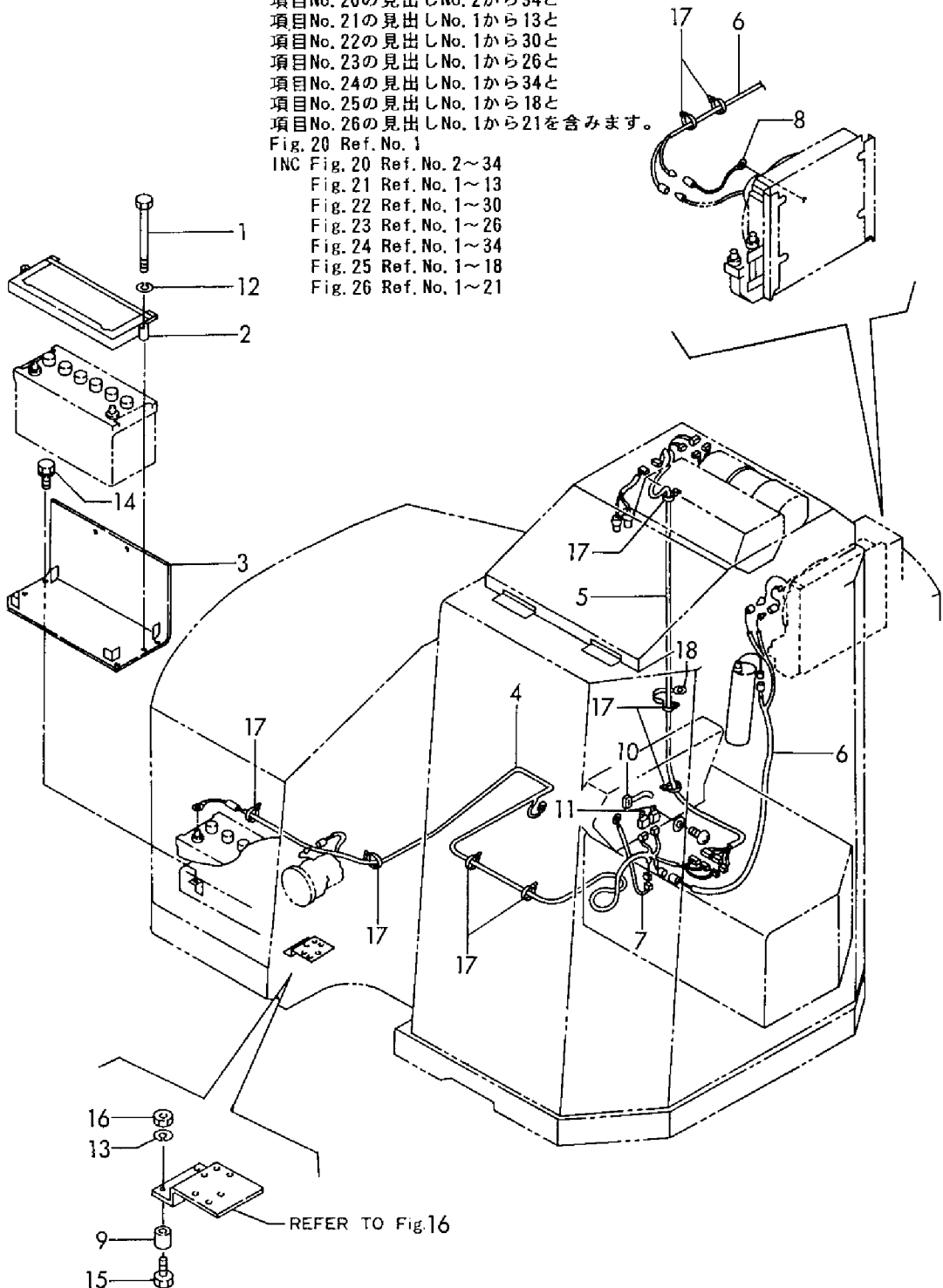
Fig. 22 Ref. No. 1~30

Fig. 23 Ref. No. 1~26

Fig. 24 Ref. No. 1~34

Fig. 25 Ref. No. 1~18

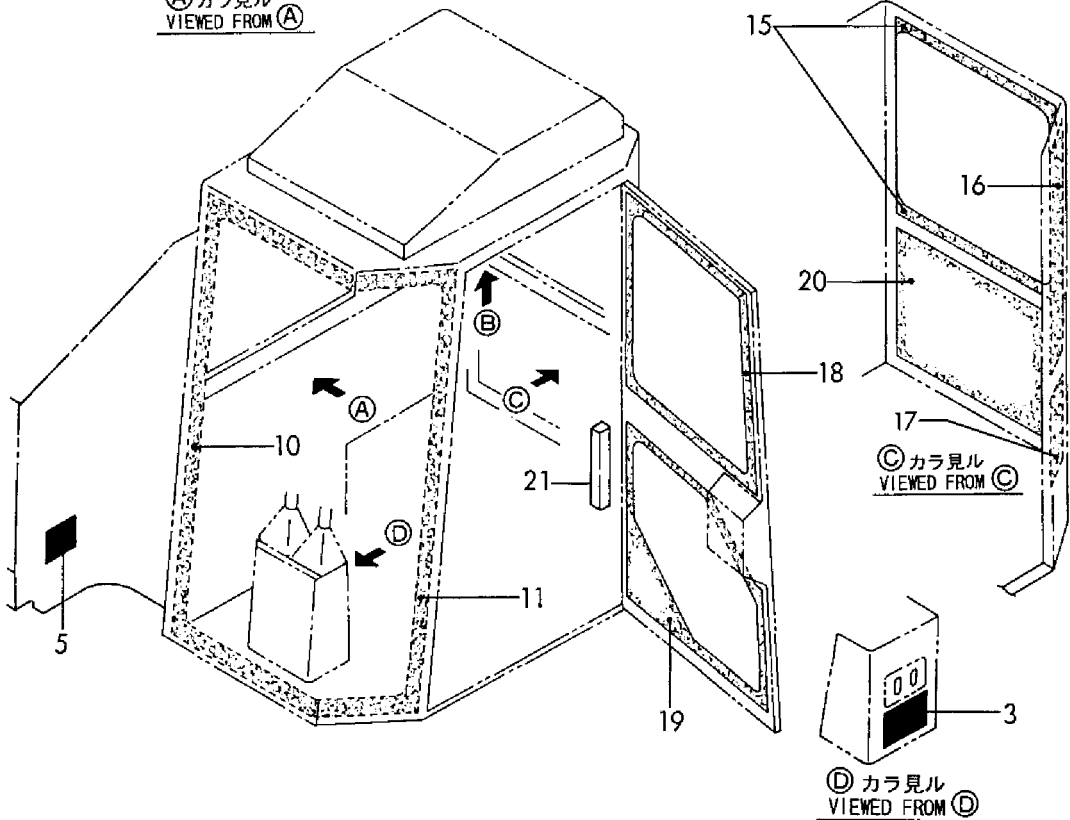
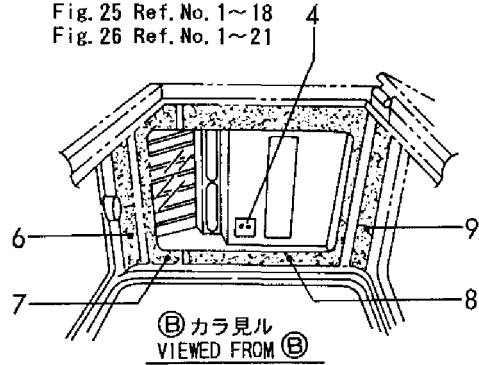
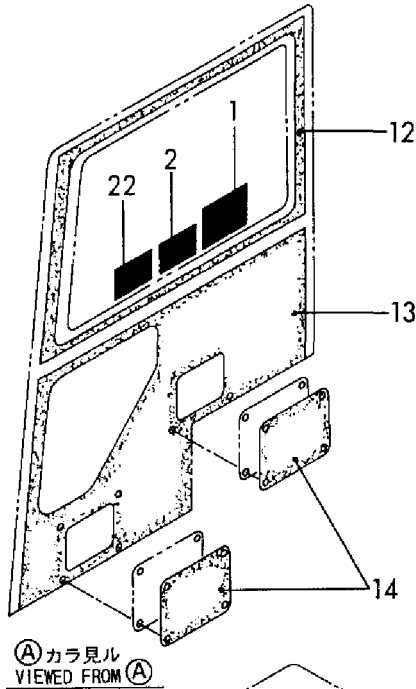
Fig. 26 Ref. No. 1~21



1,2,,172162-03120,, "LABEL,FEED WATER",1,,,,,,,,,,,,,  
2,2,,172162-03130,, "LABEL,GREASE FEED",1,,,,,,,,,,,,,  
3,2,,172162-03250,, "LABEL,PATTERN A",1,,,,,,,,,,,,,  
4,2,,172162-03500,, LABEL,1,,,,,,,,,,,,,  
5,2,,172162-03510,, "LABEL, CAUTION",1,,,,,,,,,,,,,  
6,2,,172162-67100,, "TRIM,ROOF A",1,,,,,,,,,,,,,  
7,2,,172162-67110,, "TRIM,ROOF B",1,,,,,,,,,,,,,  
8,2,,172162-67120,, "TRIM,ROOF C",1,,,,,,,,,,,,,  
9,2,,172162-67130,, "TRIM,ROOF D",1,,,,,,,,,,,,,  
10,2,,172162-67140,, "TRIM,FROMT A",1,,,,,,,,,,,,,  
11,2,,172162-67150,, "TRIM,FROMT B",1,,,,,,,,,,,,,  
12,2,,172162-67160,, "TRIM A,SIDE",1,,,,,,,,,,,,,  
13,2,,172162-67170,, "TRIM B,SIDE",1,,,,,,,,,,,,,  
14,2,,172162-67180,, "TRIM,SIDE C",2,,,,,,,,,,,,,  
15,2,,172162-67190,, "TRIM,REAR A",2,,,,,,,,,,,,,  
16,2,,172162-67200,, "TRIM,REAR C",1,,,,,,,,,,,,,  
17,2,,172162-67210,, "TRIM,REAR D",1,,,,,,,,,,,,,  
18,2,,172162-67230,, "TRIM,DOOR A",1,,,,,,,,,,,,,  
19,2,,172162-67240,, "TRIM,DOOR B",1,,,,,,,,,,,,,  
20,2,,172162-69161,, "TRIM REAR B",1,,,,,,,,,,,,,  
21,2,,172162-14210,, "SEAL A,FUEL TANK",1,,,,,,,,,,,,,  
22,1,,172165-03471,, LABEL,1,,,,,,,,,,,,,

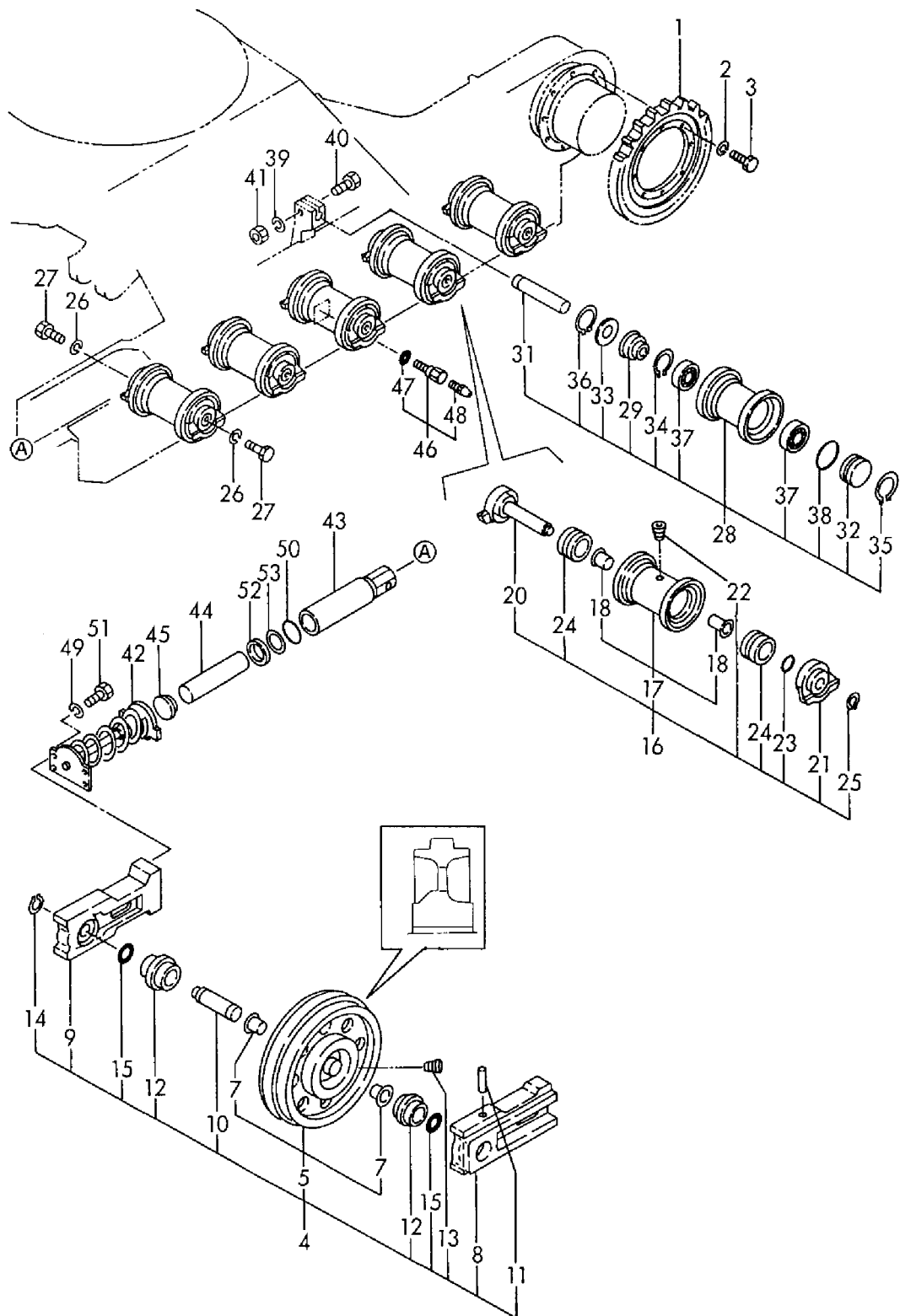
Fig. 26 クーラ(キャビン内装他)  
COOLER(CABIN INTERIOR OTHERS)

クーラ改装キット  
COOLER REMODEL KIT  
172162-08100  
項目No. 20の見出しNo. 1は  
項目No. 20の見出しNo. 2から34と  
項目No. 21の見出しNo. 1から13と  
項目No. 22の見出しNo. 1から30と  
項目No. 23の見出しNo. 1から26と  
項目No. 24の見出しNo. 1から34と  
項目No. 25の見出しNo. 1から18と  
項目No. 26の見出しNo. 1から21を含みます。  
Fig. 20 Ref. No. 1  
INC Fig. 20 Ref. No. 2~34  
Fig. 21 Ref. No. 1~13  
Fig. 22 Ref. No. 1~30  
Fig. 23 Ref. No. 1~26  
Fig. 24 Ref. No. 1~34  
Fig. 25 Ref. No. 1~18  
Fig. 26 Ref. No. 1~21



1,1,,172162-29100,,SPROCKET,2,2,2,2,2,,,,,,,,,,,,,  
2,1,,22217-140000,, "SPRING WASHER 14",24,24,24,24,24,,,,,,,,,,,,,  
3,1,,26116-140402,, "BOLT M14X 40 PLATED",24,24,24,24,24,,,,,,,,,,,,,  
4,1,,772162-37100,, "IDLER ASSY",2,2,2,2,2,,,,,,,,,,,,,  
5,2,,172162-37100,, "IDLER 340 COMPL.",2,2,2,2,2,,,,,,,,,,,,,  
7,3,,172162-37180,, "BUSH 45,ROLLER",4,4,4,4,4,,,,,,,,,,,,,  
8,2,,172162-37130,, "COVER A,IDLER SEAL",2,2,2,2,2,,,,,,,,,,,,,  
9,2,,172162-37140,, "COVER B,IDLER SEAL",2,2,2,2,2,,,,,,,,,,,,,  
10,2,,172162-37150,, "SHAFT,IDLER",2,2,2,2,2,,,,,,,,,,,,,  
11,2,,172124-37160,, PIN,2,2,2,2,2,,,,,,,,,,,,,  
12,2,,172162-37170,, "SEAL,FLOATING",4,4,4,4,4,,,,,,,,,,,,,  
13,2,,194630-42120,, "PLUG PT1/8",2,2,2,2,2,,,,,,,,,,,,,  
14,2,,22242-000400,, "CIRCLIP 40",2,2,2,2,2,,,,,,,,,,,,,  
15,2,,24321-000400,, "O-RING 1A G-40.0",4,4,4,4,4,,,,,,,,,,,,,  
16,1,,772162-37300,, "TRACK,ROLLER ASSY",10,10,10,10,10,,,,,,,,,,,,,  
17,2,,172162-37300,, "ROLLER COMP.,LOWER",10,10,10,10,10,,,,,,,,,,,,,  
18,3,,172124-37120,, "BUSH 40",20,20,20,20,20,,,,,,,,,,,,,  
20,2,,172162-37330,, "SHAFT COMP.,ROLLER",10,10,10,10,10,,,,,,,,,,,,,  
21,2,,172162-37360,, "COVER B,ROLLER SEAL",10,10,10,10,10,,,,,,,,,,,,,  
22,2,,194630-42120,, "PLUG PT1/8",10,10,10,10,10,,,,,,,,,,,,,  
23,2,,24321-000400,, "O-RING 1A G-40.0",10,10,10,10,10,,,,,,,,,,,,,  
24,2,,933112-00500,, "SEAL 66 86 28",20,20,20,20,20,,,,,,,,,,,,,  
25,2,,22242-000350,, "CIRCLIP 35",10,10,10,10,10,,,,,,,,,,,,,  
26,1,,22217-200000,, "SPRING WASHER 20",20,20,20,20,20,,,,,,,,,,,,,  
27,1,,26116-200402,, "BOLT M20X40",20,20,20,20,20,,,,,,,,,,,,,  
28,1,,772162-37500,, "CARRIER ROLLER ASSY.",2,2,2,2,2,,,,,,,,,,,,,  
29,2,,172141-37140,, "SEAL 357220",2,2,2,2,2,,,,,,,,,,,,,  
31,2,,172162-37520,, "SHAFT,CARRIER ROLLER",2,2,2,2,2,,,,,,,,,,,,,  
32,2,,172162-37530,, PLUG,2,2,2,2,2,,,,,,,,,,,,,  
33,2,,172162-37540,, "COVER,SEAL",2,2,2,2,2,,,,,,,,,,,,,  
34,2,,22252-000720,, "CIRCLIP 72",2,2,2,2,2,,,,,,,,,,,,,  
35,2,,22252-000750,, "CIRCLIP 75",2,2,2,2,2,,,,,,,,,,,,,  
36,2,,22252-000850,, "CIRCLIP 85",2,2,2,2,2,,,,,,,,,,,,,  
37,2,,24101-062074,, "BALL BEARING",4,4,4,4,4,,,,,,,,,,,,,  
38,2,,24311-000650,, "O-RING 1A P-65.0",2,2,2,2,2,,,,,,,,,,,,,  
39,1,,22217-120000,, "SPRING WASHER",2,2,2,2,2,,,,,,,,,,,,,  
40,1,,26116-120652,, "BOLT M12X 65 PLATED",2,2,2,2,2,,,,,,,,,,,,,  
41,1,,26716-120002,, "NUT 12",2,2,2,2,2,,,,,,,,,,,,,  
42,1,,172162-37700,, "ADJUSTER CMP,CRAWLER",2,2,2,2,2,,,,,,,,,,,,,  
43,1,,172162-37770,, "TUBE COMP.,ADJUSTER",2,2,2,2,2,,,,,,,,,,,,,  
44,1,,172162-37800,, PISTON,2,2,2,2,2,,,,,,,,,,,,,  
45,1,,172162-37810,, "PLATE,ADJUSTER",2,2,2,2,2,,,,,,,,,,,,,  
46,1,,172122-37843,, "VALVE ASSY, NIPPLE",2,2,2,2,2,,,,,,,,,,,,,  
47,2,,24315-000140,, "O-RING 1B P-14.0",2,2,2,2,2,,,,,,,,,,,,,  
48,2,,24761-020000,, "NIPPLE PT1/8,GREASE",2,2,2,2,2,,,,,,,,,,,,,  
49,1,,22217-140000,, "SPRING WASHER 14",8,8,8,8,8,,,,,,,,,,,,,  
50,1,,24325-000550,, "O-RING 1B G-55.0",2,2,2,2,2,,,,,,,,,,,,,  
51,1,,26116-140552,, "BOLT M14X 55 PLATED",8,8,8,8,8,,,,,,,,,,,,,  
52,1,,933126-50500,, "SEAL 5569811, DKB",2,2,2,2,2,,,,,,,,,,,,,  
53,1,,933138-12101,, "RING G55,BACKUP",2,2,2,2,2,,,,,,,,,,,,,

Fig. 27 ローラ & アジャスト(鉄クローラ仕様)  
 ROLLER & ADJUST(IRON CRAWLER SPEC.)

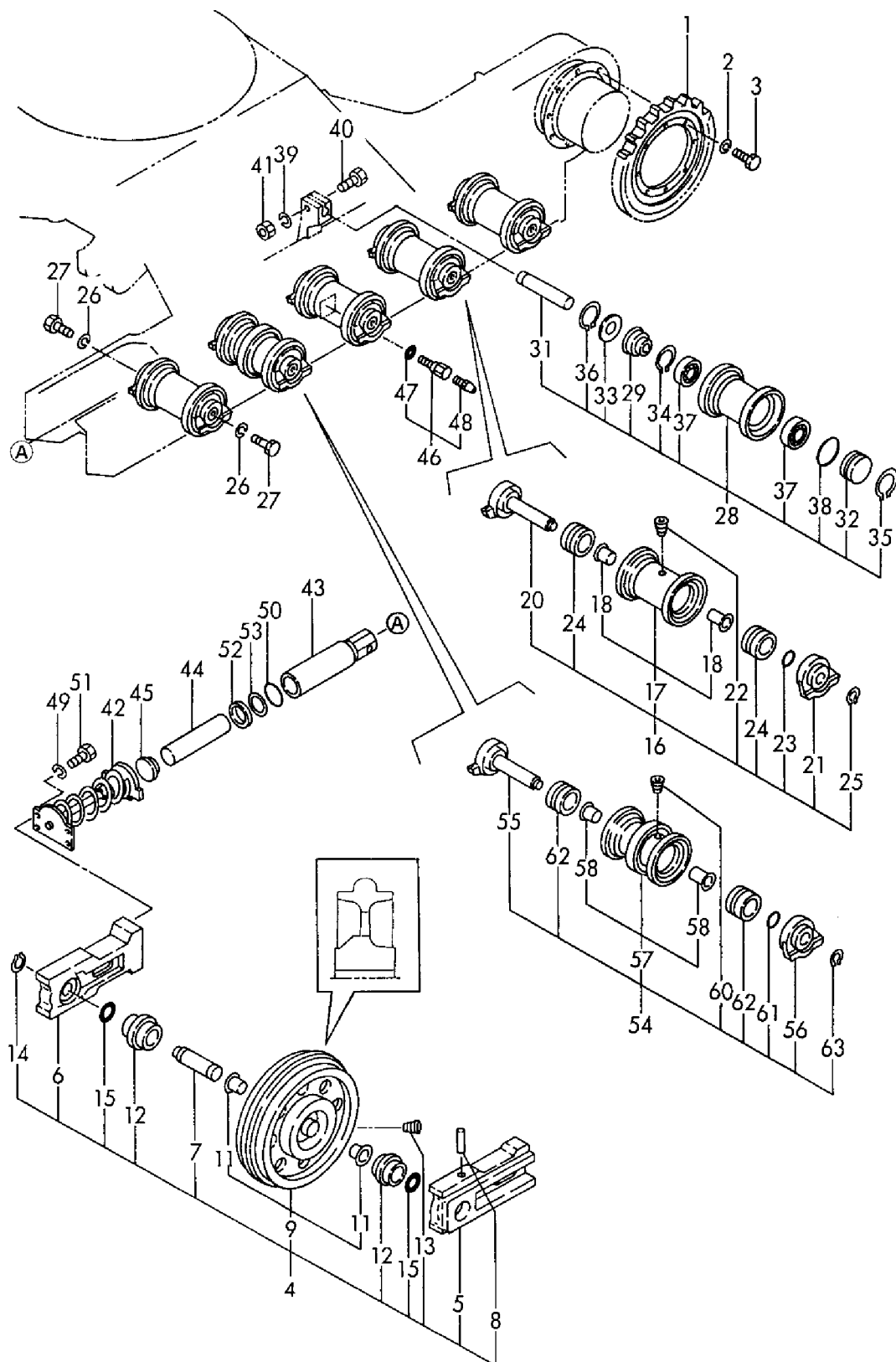


1,1,,172162-29100,,SPROCKET,2,2,2,2,2,,,,,,,,,,,,,  
2,1,,22217-140000,, "SPRING WASHER 14",24,24,24,24,24,,,,,,,,,,,,,  
3,1,,26116-140402,, "BOLT M14X 40 PLATED",24,24,24,24,24,,,,,,,,,,,,,  
4,1,,772162-37110,, "IDLER ASSY," ,2,2,2,2,2,,,,,,,,,,,,,  
5,2,,172162-37130,, "COVER A, IDLER SEAL",2,2,2,2,2,,,,,,,,,,,,,  
6,2,,172162-37140,, "COVER B, IDLER SEAL",2,2,2,2,2,,,,,,,,,,,,,  
7,2,,172162-37150,, "SHAFT, IDLER",2,2,2,2,2,,,,,,,,,,,,,  
8,2,,172124-37160,, PIN,2,2,2,2,2,,,,,,,,,,,,,  
9,2,,172162-37160,, "IDLER 350 COMPL." ,2,2,2,2,2,,,,,,,,,,,,,  
11,3,,172162-37180,, "BUSH 45, ROLLER",4,4,4,4,4,,,,,,,,,,,,,  
12,2,,172162-37170,, "SEAL, FLOATING",4,4,4,4,4,,,,,,,,,,,,,  
13,2,,194630-42120,, "PLUG PT1/8" ,2,2,2,2,2,,,,,,,,,,,,,  
14,2,,22242-000400,, "CIRCLIP 40" ,2,2,2,2,2,,,,,,,,,,,,,  
15,2,,24321-000400,, "O-RING 1A G-40.0" ,4,4,4,4,4,,,,,,,,,,,,,  
16,1,,772162-37300,, "TRACK, ROLLER ASSY",8,8,8,8,8,,,,,,,,,,,,,  
17,2,,172162-37300,, "ROLLER COMP., LOWER",8,8,8,8,8,,,,,,,,,,,,,  
18,3,,172124-37120,, "BUSH 40",16,16,16,16,16,,,,,,,,,,,,,  
20,2,,172162-37330,, "SHAFT COMP., ROLLER",8,8,8,8,8,,,,,,,,,,,,,  
21,2,,172162-37360,, "COVER B, ROLLER SEAL",8,8,8,8,8,,,,,,,,,,,,,  
22,2,,194630-42120,, "PLUG PT1/8" ,8,8,8,8,8,,,,,,,,,,,,,  
23,2,,24321-000400,, "O-RING 1A G-40.0" ,8,8,8,8,8,,,,,,,,,,,,,  
24,2,,933112-00500,, "SEAL 66 86 28",16,16,16,16,16,,,,,,,,,,,,,  
25,2,,22242-000350,, "CIRCLIP 35" ,8,8,8,8,8,,,,,,,,,,,,,  
26,1,,22217-200000,, "SPRING WASHER 20",16,16,16,16,16,,,,,,,,,,,,,  
27,1,,26116-200402,, "BOLT M20X40",16,16,16,16,16,,,,,,,,,,,,,  
28,1,,772162-37500,, "CARRIER ROLLER ASSY." ,2,2,2,2,2,,,,,,,,,,,,,  
29,2,,172141-37140,, "SEAL 357220" ,2,2,2,2,2,,,,,,,,,,,,,  
31,2,,172162-37520,, "SHAFT, CARRIER ROLLER" ,2,2,2,2,2,,,,,,,,,,,,,  
32,2,,172162-37530,, PLUG,2,2,2,2,2,,,,,,,,,,,,,  
33,2,,172162-37540,, "COVER, SEAL",2,2,2,2,2,,,,,,,,,,,,,  
34,2,,22252-000720,, "CIRCLIP 72" ,2,2,2,2,2,,,,,,,,,,,,,  
35,2,,22252-000750,, "CIRCLIP 75" ,2,2,2,2,2,,,,,,,,,,,,,  
36,2,,22252-000850,, "CIRCLIP 85" ,2,2,2,2,2,,,,,,,,,,,,,  
37,2,,24101-062074,, "BALL BEARING",4,4,4,4,4,,,,,,,,,,,,,  
38,2,,24311-000650,, "O-RING 1A P-65.0" ,2,2,2,2,2,,,,,,,,,,,,,  
39,1,,22217-120000,, "SPRING WASHER",2,2,2,2,2,,,,,,,,,,,,,  
40,1,,26116-120652,, "BOLT M12X 65 PLATED",2,2,2,2,2,,,,,,,,,,,,,  
41,1,,26716-120002,, "NUT 12" ,2,2,2,2,2,,,,,,,,,,,,,  
42,1,,172162-37700,, "ADJUSTER CMP, CRAWLER",2,2,2,2,2,,,,,,,,,,,,,  
43,1,,172162-37770,, "TUBE COMP., ADJUSTER",2,2,2,2,2,,,,,,,,,,,,,  
44,1,,172162-37800,, PISTON,2,2,2,2,2,,,,,,,,,,,,,  
45,1,,172162-37810,, "PLATE, ADJUSTER",2,2,2,2,2,,,,,,,,,,,,,  
46,1,,172122-37843,, "VALVE ASSY, NIPPLE",2,2,2,2,2,,,,,,,,,,,,,  
47,2,,24315-000140,, "O-RING 1B P-14.0" ,2,2,2,2,2,,,,,,,,,,,,,  
48,2,,24761-020000,, "NIPPLE PT1/8, GREASE" ,2,2,2,2,2,,,,,,,,,,,,,  
49,1,,22217-140000,, "SPRING WASHER 14",8,8,8,8,8,,,,,,,,,,,,,  
50,1,,24325-000550,, "O-RING 1B G-55.0" ,2,2,2,2,2,,,,,,,,,,,,,  
51,1,,26116-140552,, "BOLT M14X 55 PLATED",8,8,8,8,8,,,,,,,,,,,,,  
52,1,,933126-50500,, "SEAL 5569811, DKB",2,2,2,2,2,,,,,,,,,,,,,  
53,1,,933138-12101,, "RING G55, BACKUP",2,2,2,2,2,,,,,,,,,,,,,  
54,1,,772162-  
37310,, "ROLLER, TRACK",2,2,2,2,2,, W,, 72162208, M00502, 72162208, M00502,,,,,,  
55,2,,172162-37330,, "SHAFT  
COMP., ROLLER" ,2,2,2,2,2,, W,, 72162208, M00502, 72162208, M00502,,,,,,  
56,2,,172162-37360,, "COVER B, ROLLER  
SEAL",2,2,2,2,2,, W,, 72162208, M00502, 72162208, M00502,,,,,,  
57,2,,172162-37400,, "ROLLER  
COMP., LOWER" ,2,2,2,2,2,, W,, 72162208, M00502, 72162208, M00502,,,,,,  
58,3,,172124-37120,, "BUSH  
40" ,4,4,4,4,4,, W,, 72162208, M00502, 72162208, M00502,,,,,,  
60,2,,194630-42120,, "PLUG  
PT1/8" ,2,2,2,2,2,, W,, 72162208, M00502, 72162208, M00502,,,,,,



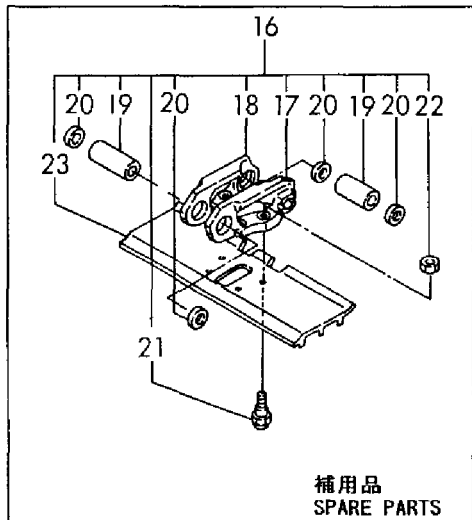
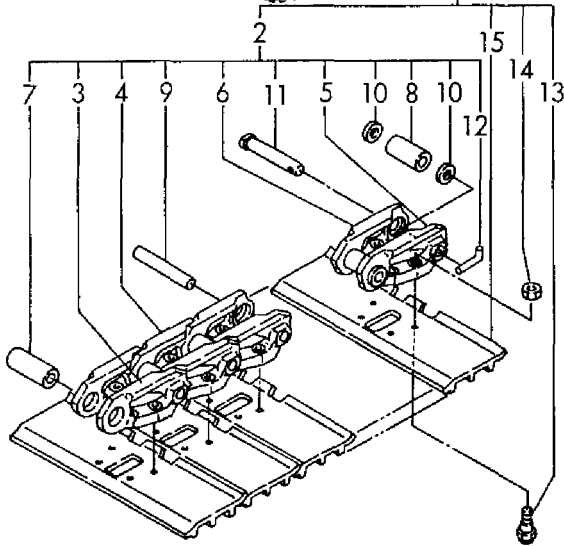
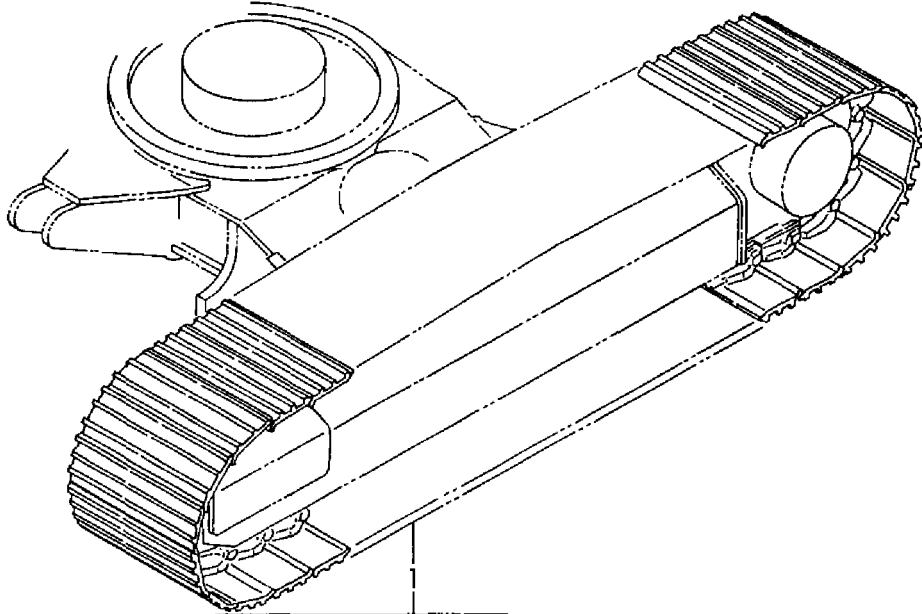
61,2,,24321-000400,, "O-RING 1A G-  
40.0" ,2,2,2,2,2,,W,,72162208,M00502,72162208,M00502,,,,,,,,,  
62,2,,933112-00500,, "SEAL 66 86  
28" ,4,4,4,4,4,,W,,72162208,M00502,72162208,M00502,,,,,,,,,  
63,2,,22242-000350,, "CIRCLIP  
35" ,2,2,2,2,2,,W,,72162208,M00502,72162208,M00502,,,,,,,,,

Fig. 28 ローラ & アジャスト(ゴムローラ仕様)  
 ROLLER & ADJUST(RUBBER CRAWLER SPEC.)

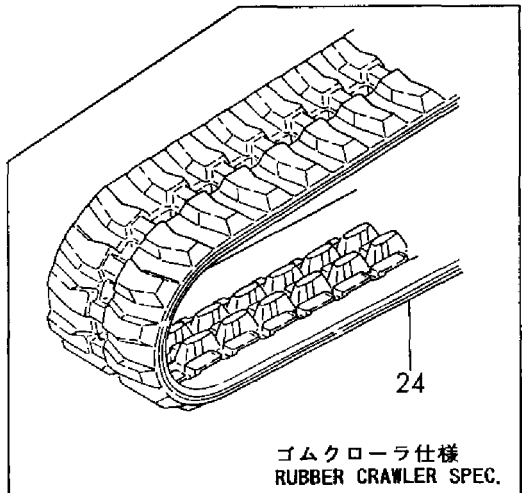


1,1,,172162-38100,, "SHOE 450,TRACK",2,2,2,2,2,,,,,,,,,,,,,  
2,2,,172162-38110,, "LINK COMP.,TRACK",2,2,2,2,2,,,,,,,,,,,,,  
3,3,,172162-38120,, "LINK L,TRACK",80,80,80,80,80,,,,,,,,,,,,,  
4,3,,172162-38130,, "LINK R,TRACK",80,80,80,80,80,,,,,,,,,,,,,  
5,3,,172162-38140,, "LINK L,MASTER",2,2,2,2,2,,,,,,,,,,,,,  
6,3,,172162-38150,, "LINK R,MASTER",2,2,2,2,2,,,,,,,,,,,,,  
7,3,,172162-38160,, "BUSH,TRACK",80,80,80,80,80,,,,,,,,,,,,,  
8,3,,172162-38170,, "BUSH,MASTER",2,2,2,2,2,,,,,,,,,,,,,  
9,3,,172162-38180,, "PIN,TRACK",80,80,80,80,80,,,,,,,,,,,,,  
10,3,,172162-38190,, "COLLAR,4,4,4,4,4,,,,,,,,,,,,,  
11,3,,172162-38200,, "PIN,MASTER",2,2,2,2,2,,,,,,,,,,,,,  
12,3,,172112-38111,, "PIN, COTTER",2,2,2,2,2,,,,,,,,,,,,,  
13,2,,172162-38210,, "BOLT,SHOE",328,328,328,328,328,,,,,,,,,,,,,  
14,2,,172162-38220,, "NUT, SHOE",328,328,328,328,328,,,,,,,,,,,,,  
15,2,,172162-38230,, "PLATE 450,SHOE",82,82,82,82,82,,,,,,,,,,,,,  
16,1,,172162-38250,, "TRACK, MASTER",1,1,1,1,1,,,,,,,,,,,,,  
17,2,,172162-38140,, "LINK L,MASTER",1,1,1,1,1,,,,,,,,,,,,,  
18,2,,172162-38150,, "LINK R,MASTER",1,1,1,1,1,,,,,,,,,,,,,  
19,2,,172162-38170,, "BUSH,MASTER",2,2,2,2,2,,,,,,,,,,,,,  
20,2,,172162-38190,, "COLLAR,4,4,4,4,4,,,,,,,,,,,,,  
21,2,,172162-38210,, "BOLT,SHOE",4,4,4,4,4,,,,,,,,,,,,,  
22,2,,172162-38220,, "NUT, SHOE",4,4,4,4,4,,,,,,,,,,,,,  
23,2,,172162-38230,, "PLATE 450,SHOE",1,1,1,1,1,,,,,,,,,,,,,  
24,1,,172162-38600,, "CRAWLER, RUBBER",2,2,2,2,2,,,,,,,,,,,,,

Fig. 29 クローラ(450)  
CRAWLER(450)



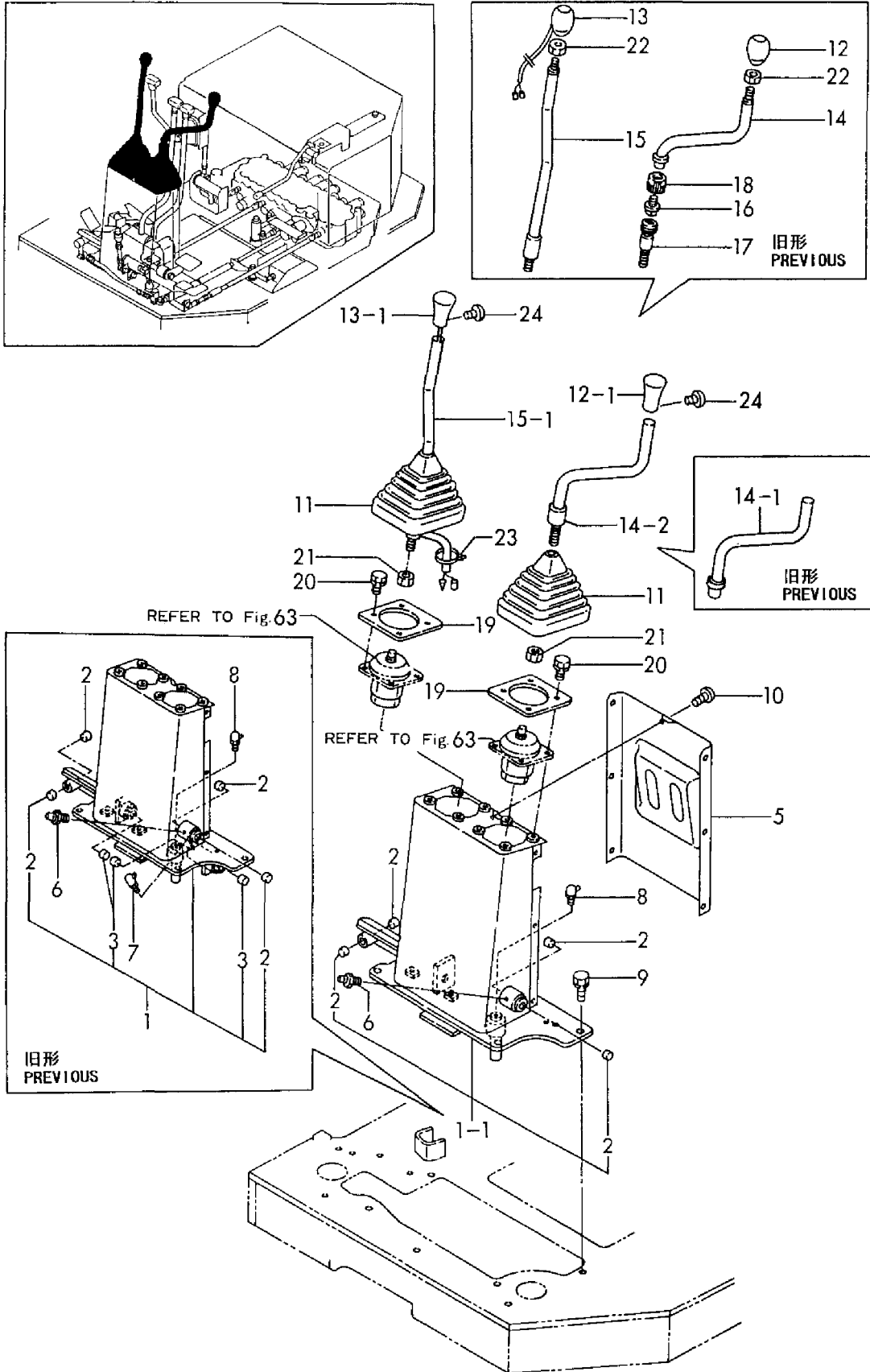
補用品  
SPARE PARTS



ゴムクローラ仕様  
RUBBER CRAWLER SPEC.

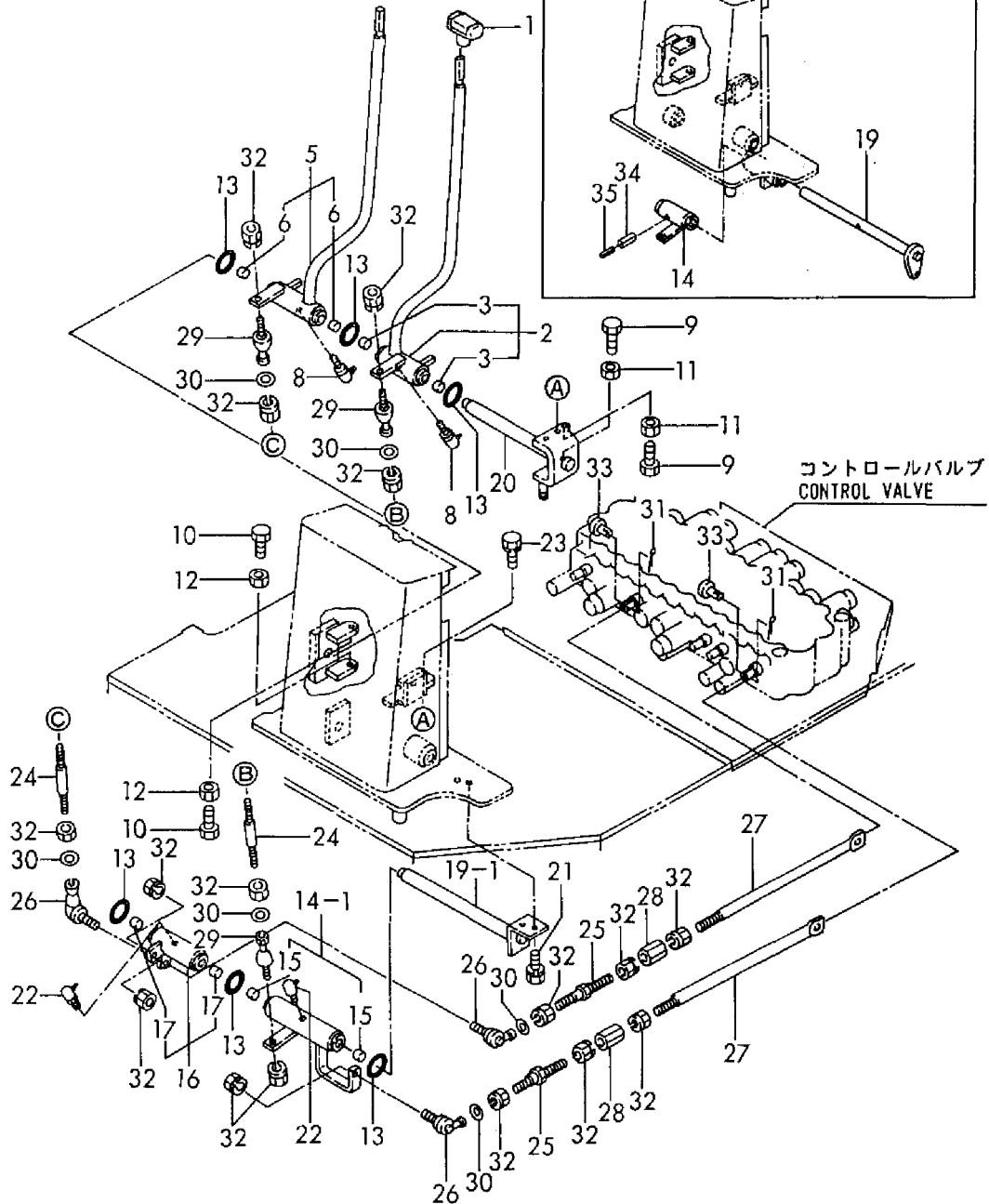
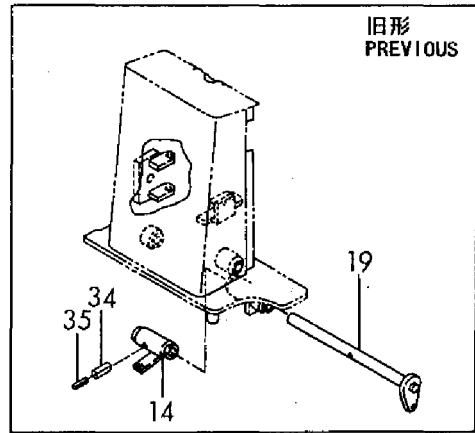
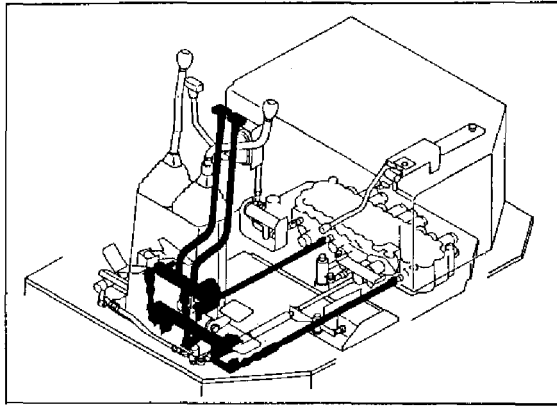
1,1,,172162-45390,, "STAND COMP.,LINK",1,1,,,,,,,,,,,,,  
1-1,1,,172162-45391,, "STAND  
COMP.,LINK",1,1,1,1,1,1,,S,,72162155,M00504,72162155,M00504,,,,,,,,,  
2,2,,172141-41360,, "BUSH 1415",4,4,4,4,4,,,,,,,,,,,,,  
3,2,,172141-41370,, "BUSH 2015",3,3,,,,,Z,,72162155,M00504,72162155,M00504,,,,,,,,,  
5,1,,172162-45800,, "COVER CMP,LINK STAND",1,1,1,1,1,1,,,,,,,,,,,,,  
6,1,,24761-020000,, "NIPPLE PT1/8,GREASE",1,1,1,1,1,1,,,,,,,,,,,,,  
7,1,,24761-040000,, "NIPPLE  
B,GREASE",1,1,,,,,Z,,72162155,M00504,72162155,M00504,,,,,,,,,  
8,1,,24761-050000,, "NIPPLE C,GREASE",1,1,1,1,1,1,,,,,,,,,,,,,  
9,1,,26013-120352,, "BOLT M12X 35",4,4,4,4,4,,,,,,,,,,,,,  
10,1,,26589-060162,, "SCREW M6,BINDING",7,7,7,7,7,7,,,,,,,,,,,,,  
11,1,,172151-45010,, "BOOT P,LEVER",2,2,2,2,2,2,,,,,,,,,,,,,  
12,1,,172151-45030,, "KNOB L COMPL.",1,1,,,,,,,,,,,,,  
12-1,1,,172165-  
45070,,KNOB(L),1,1,,,,,S,,72162279,M00621,72162279,M00621,,,,,,,,,I  
12-2,1,,172165-45071,, "KNOB (L)  
ASSY",1,1,1,1,1,1,,N,,72165345,M00760,72165345,M00760,,,,,,,,,I  
13,1,,172151-45040,, "KNOB R COMPL.",1,1,,,,,,,,,,,,,  
13-1,1,,172165-  
45080,,KNOB(R),1,1,,,,,S,,72162279,M00621,72162279,M00621,,,,,,,,,I  
13-2,1,,172165-45081,, "KNOB R  
COMPL.",1,1,1,1,1,1,,N,,72165345,M00760,72165345,M00760,,,,,,,,,I  
14,1,,172162-45100,, "LEVER L COMPL.",1,1,,,,,,,,,,,,,  
14-1,1,,172162-45101,, "KNOB  
L",1,1,,,,,S,,72162279,M00621,72162279,M00621,,,,,,,,,I  
14-2,1,,172162-45740,, "LEVER L  
ASSY",1,1,1,1,1,1,,N,,72162329,M00621,72162329,M00621,,,,,,,,,I  
15,1,,172162-45120,, "LEVER R COMPL.",1,1,,,,,,,,,,,,,  
15-1,1,,172162-45121,, "LEVER R  
ASSY",1,1,1,1,1,1,,S,,72162279,M00621,72162279,M00621,,,,,,,,,I  
16,1,,172162-45280,, "JOINT AB",1,1,,,,,Z,,72162329,M00621,72162329,M00621,,,,,,,,,  
17,1,,172162-45290,, "JOINT  
COMPL.",1,1,,,,,Z,,72162329,M00621,72162329,M00621,,,,,,,,,  
18,1,,172162-45310,, "NUT M24",1,1,,,,,Z,,72162329,M00621,72162329,M00621,,,,,,,,,  
19,1,,172151-45320,, "PLATE,BOOT",2,2,2,2,2,2,,,,,,,,,,,,,  
20,1,,26013-080162,, "BOLT W/WASHER M8X16",8,8,8,8,8,8,,,,,,,,,,,,,  
21,1,,26736-140002,, "NUT M14",2,2,2,2,2,2,,,,,,,,,,,,,  
22,1,,26757-120002,, "LOCK NUT M12  
PLATED",2,2,,,,,Z,,72162279,M00621,72162279,M00621,,,,,,,,,  
23,1,,933168-55770,, "BAND  
146",2,2,2,2,2,2,,W,,72165345,M00760,72165345,M00760,,,,,,,,,I  
24,1,,26587-040062,, "SCREW M 4X  
6",2,2,2,2,2,2,,W,,72162279,M00621,72162279,M00621,,,,,,,,,I

Fig. 30 操縦装置(リンク台 & 作業バー)  
CONTROL EQUIP. (LINK STAND & OPERATION LEVER)



1,1,,172137-45080,, "KNOB, LEVER",2,2,2,2,2,,,,,,,,,,,,,  
2,1,,172162-45140,, "LEVER L COMP.,TRAVEL",1,1,1,1,1,,,,,,,,,,,,,  
3,2,,172141-41370,, "BUSH 2015",2,2,2,2,2,,,,,,,,,,,,,  
5,1,,172162-45190,, "LEVER R COMP.,TRAVEL",1,1,1,1,1,,,,,,,,,,,,,  
6,2,,172141-41370,, "BUSH 2015",2,2,2,2,2,,,,,,,,,,,,,  
8,1,,24761-050000,, "NIPPLE C,GREASE",2,2,2,2,2,,,,,,,,,,,,,  
9,1,,26116-080254,, "BOLT M 8X 25 PLATED",2,2,2,2,2,,,,,,,,,,,,,  
10,1,,26116-080354,, "BOLT M 8X 35 PLATED",2,2,2,2,2,,,,,,,,,,,,,  
11,1,,26716-080002,, "NUT M 8",2,2,2,2,2,,,,,,,,,,,,,  
12,1,,26716-080002,, "NUT M 8",2,2,2,2,2,,,,,,,,,,,,,  
13,1,,172124-46200,, "O-RING 27X5.7",7,7,7,7,7,,,,,,,,,,,,,  
14,1,,172162-46330,, "LINK L COMP.,TRAVEL",1,1,,,,,,,,,,,,,  
14-1,1,,172162-46520,, "LINK L  
COMP.,TRAVEL",1,1,1,1,1,,S,,72162155,M00504,72162155,M00504,,,,,,,,,  
15,2,,172141-41370,, "BUSH  
2015",2,2,2,2,2,,W,,72162155,M00504,72162155,M00504,,,,,,,,,  
16,1,,172162-46360,, "LINK R COMP.,TRAVEL",1,1,1,1,1,,,,,,,,,,,,,  
17,2,,172141-41370,, "BUSH 2015",2,2,2,2,2,,,,,,,,,,,,,  
19,1,,172162-46400,, "SHAFT COMPL.",1,1,,,,,,,,,,,,,  
19-1,1,,172162-46401,, "SHAFT  
COMPL.",1,1,1,1,1,,S,,72162155,M00504,72162155,M00504,,,,,,,,,  
20,1,,172162-46430,, "SHAFT ASSY",1,1,1,1,1,,,,,,,,,,,,,  
21,1,,26013-100202,, "BOLT W/WASHER  
M10X20",1,1,1,1,1,,W,,72162155,M00504,72162155,M00504,,,,,,,,,  
22,1,,24761-040000,, "NIPPLE B,GREASE",2,2,2,2,2,,,,,,,,,,,,,  
23,1,,26013-100252,, "BOLT W/WASHER M10X25",2,2,2,2,2,,,,,,,,,,,,,  
24,1,,172150-42640,, "ROD(B), ARM",2,2,2,2,2,,,,,,,,,,,,,  
25,1,,172149-42920,, "ROD, 3RD",2,2,,,,,,,,,,,,,  
25-1,1,,172149-42720,, "ROD COMP.,3RD",2,2,2,2,2,,N,,72162151,"FROM  
1ST",72162151,"FROM 1ST",,,,,,,,,,  
26,1,,172122-46590,, "ELBALL 8",3,3,3,3,3,,,,,,,,,,,,,  
27,1,,172162-46720,, "ROD 459",2,2,2,2,2,,,,,,,,,,,,,  
28,1,,172162-46730,, "NUT M8,L35",2,2,2,2,2,,,,,,,,,,,,,  
29,1,,172122-47250,, "BALL 8, LINK",3,3,3,3,3,,,,,,,,,,,,,  
30,1,,22137-080000,, "WASHER 8, POLISHED",6,6,6,6,6,,,,,,,,,,,,,  
31,1,,22417-160160,, "COTTER PIN 1.6X16",2,2,2,2,2,,,,,,,,,,,,,  
32,1,,26051-080002,, "NUT M 8",16,16,16,16,16,,,,,,,,,,,,,  
33,1,,933110-54100,, "PIN 4.75X14",2,2,2,2,2,,,,,,,,,,,,,  
34,1,,22351-035032,, "SPRING PIN  
3.5X32",1,1,,,,,Z,,72162155,M00504,72162155,M00504,,,,,,,,,  
35,1,,22351-060032,, "SPRING PIN  
6X32",1,1,,,,,Z,,72162155,M00504,72162155,M00504,,,,,,,,,

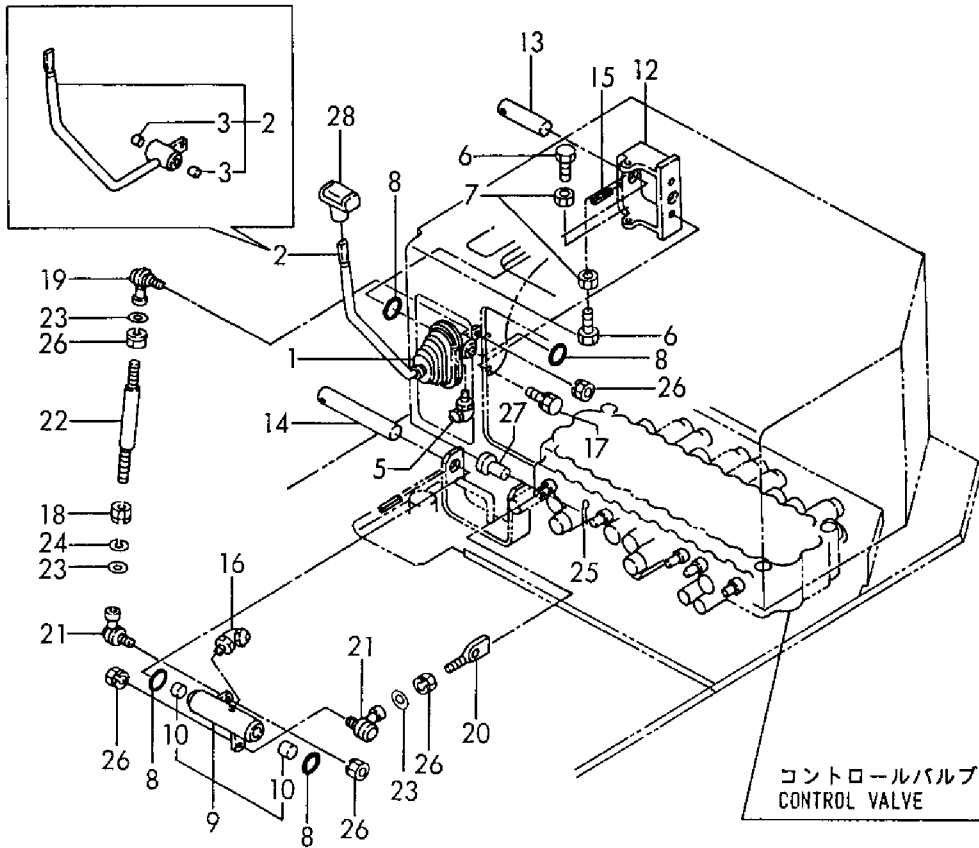
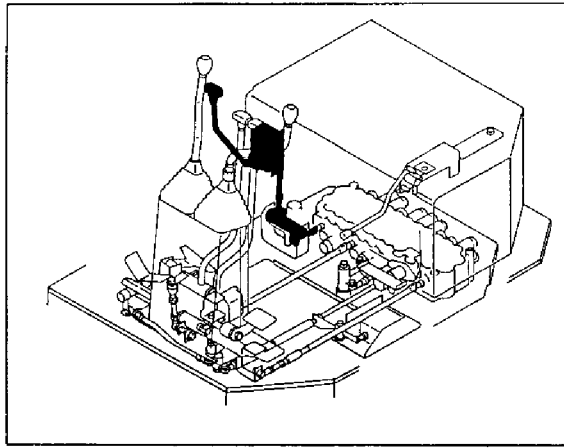
Fig. 31 操縦装置(走行)  
CONTROL EQUIPMENT(DRIVE)





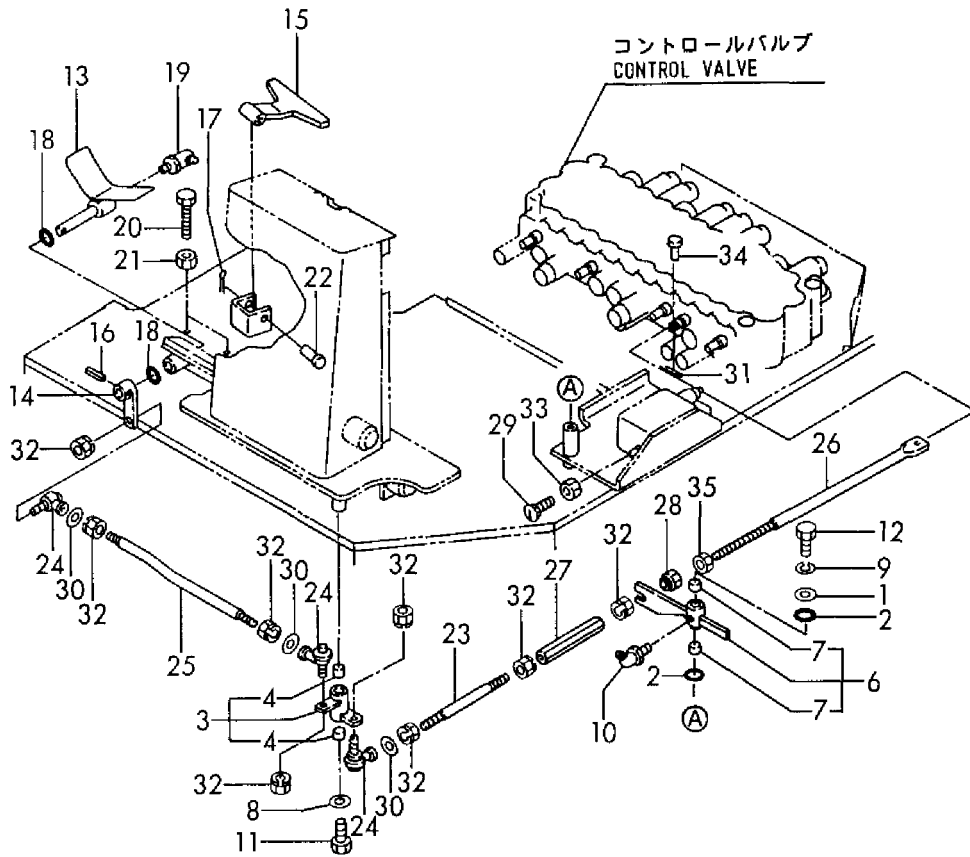
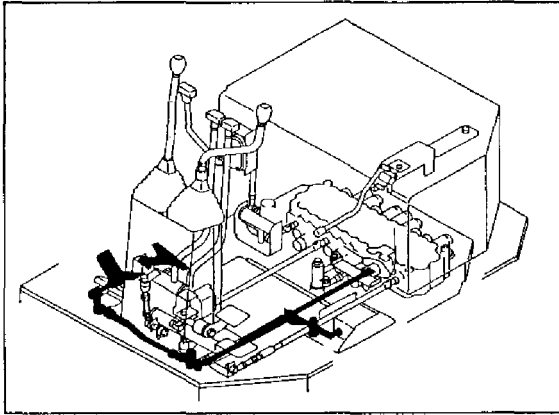
1,1,,172141-41340,,BOOTS,1,1,1,1,1,,,,,,,,,,,,,  
2,1,,172162-45210,, "LEVER COMP.,BLADE",1,1,1,1,1,,,,,,,,,,,,,  
3,2,,172141-41370,, "BUSH 2015",2,2,2,2,2,,,,,,,,,,,,,  
5,1,,24761-050000,, "NIPPLE C,GREASE",1,1,1,1,1,,,,,,,,,,,,,  
6,1,,26116-080354,, "BOLT M 8X 35 PLATED",2,2,,,,,,,,,,,,,  
6-1,1,,26116-080404,, "BOLT M 8X 40  
PLATED",2,2,2,2,2,N,,72162409,M00760,72162409,M00760,,,,,,,,,I  
7,1,,26716-080002,, "NUT M 8",2,2,2,2,2,,,,,,,,,,,,,  
8,1,,172124-46200,, "O-RING 27X5.7",4,4,4,4,4,,,,,,,,,,,,,  
9,1,,172162-46380,, "BOSS COMP.,BLADE",1,1,1,1,1,,,,,,,,,,,,,  
10,2,,172141-41370,, "BUSH 2015",2,2,2,2,2,,,,,,,,,,,,,  
12,1,,172162-46460,, "BRACKET COMPL.",1,1,1,1,1,,,,,,,,,,,,,  
13,1,,172162-46490,, "SHAFT A,BLADE",1,1,1,1,1,,,,,,,,,,,,,  
14,1,,172162-46500,, "SHAFT B,BLADE",1,1,1,1,1,,,,,,,,,,,,,  
15,1,,22351-040040,, "SPRING PIN 4X40",2,2,2,2,2,,,,,,,,,,,,,  
16,1,,24761-040000,, "NIPPLE B,GREASE",1,1,1,1,1,,,,,,,,,,,,,  
17,1,,26013-100252,, "BOLT W/WASHER M10X25",2,2,2,2,2,,,,,,,,,,,,,  
18,1,,194200-37780,, "LS-NUT 8",1,1,1,1,1,,,,,,,,,,,,,  
19,1,,172734-41300,, "BALL 8L, LINK",1,1,1,1,1,,,,,,,,,,,,,  
20,1,,172146-45691,, "ROD(C), SPOOL",1,1,1,1,1,,,,,,,,,,,,,  
21,1,,172122-46590,, "ELBALL 8",2,2,2,2,2,,,,,,,,,,,,,  
22,1,,172162-46710,, "ROD 152",1,1,1,1,1,,,,,,,,,,,,,  
23,1,,22137-080000,, "WASHER 8, POLISHED",3,3,3,3,3,,,,,,,,,,,,,  
24,1,,22217-080000,, "SPRING WASHER 8",1,1,1,1,1,,,,,,,,,,,,,  
25,1,,22417-160160,, "COTTER PIN 1.6X16",1,1,1,1,1,,,,,,,,,,,,,  
26,1,,26051-080002,, "NUT M 8",5,5,5,5,5,,,,,,,,,,,,,  
27,1,,933110-54100,, "PIN 4.75X14",1,1,1,1,1,,,,,,,,,,,,,  
28,1,,172116-45940,, "KNOB (C), LEVER",1,1,1,1,1,,,,,,,,,,,,,

Fig. 32 操縦装置(ブレード)  
CONTROL EQUIPMENT (BLADE)



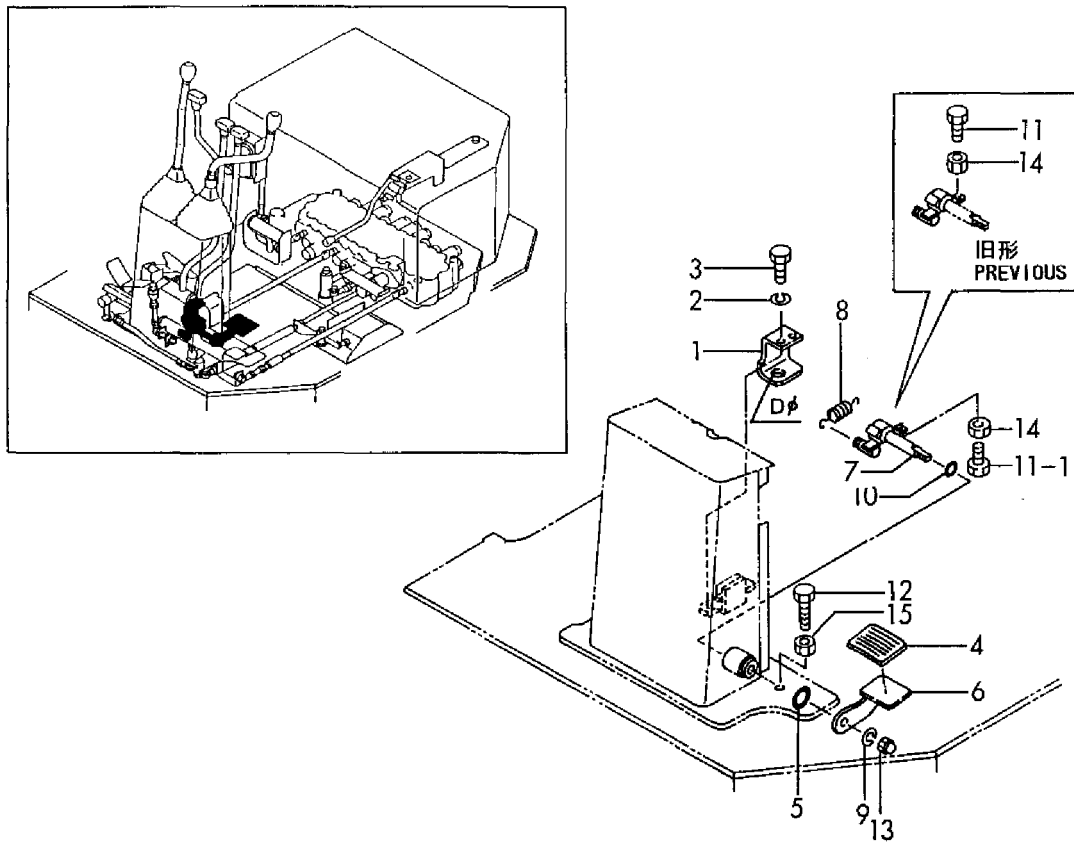
1,1,,1A1040-45890,, "WASHER 10 36 4.5",1,1,1,1,1,,,,,,,,,,,,,  
2,1,,172124-46200,, "O-RING 27X5.7",2,2,2,2,2,,,,,,,,,,,,,  
3,1,,172162-46300,, "LINK COMP.,OFFSET",1,1,1,1,1,,,,,,,,,,,,,  
4,2,,172141-41370,, "BUSH 2015",2,2,2,2,2,,,,,,,,,,,,,  
6,1,,172162-46900,, "LINK COMPL.",1,1,1,1,1,,,,,,,,,,,,,  
7,2,,172141-41370,, "BUSH 2015",2,2,2,2,2,,,,,,,,,,,,,  
8,1,,22157-120000,, "WASHER 12",1,1,1,1,1,,,,,,,,,,,,,  
9,1,,22217-100000,, "SPRING WASHER 10",1,1,1,1,1,,,,,,,,,,,,,  
10,1,,24761-040000,, "NIPPLE B,GREASE",1,1,1,1,1,,,,,,,,,,,,,  
11,1,,26013-120252,, "BOLT M12X 25",1,1,1,1,1,,,,,,,,,,,,,  
12,1,,26116-100202,, "BOLT M10X 20 PLATED",1,1,1,1,1,,,,,,,,,,,,,  
13,1,,172162-46600,, "PEDAL COMP.,OFFSET",1,1,1,1,1,,,,,,,,,,,,,  
14,1,,172162-46630,, "LINK COMP.,OFFSET",1,1,1,1,1,,,,,,,,,,,,,  
15,1,,172137-46820,, "LOCK ASSY, PEDAL",1,1,1,1,1,,,,,,,,,,,,,  
16,1,,22351-040025,, "PIN 4X25,SPRING",1,1,1,1,1,,,,,,,,,,,,,  
17,1,,22417-250250,, "COTTER PIN 2.5X25",1,1,1,1,1,,,,,,,,,,,,,  
18,1,,24311-000210,, "O-RING 1A P-21.0",2,2,2,2,2,,,,,,,,,,,,,  
19,1,,24761-040000,, "NIPPLE B,GREASE",1,1,1,1,1,,,,,,,,,,,,,  
20,1,,26116-080554,, "BOLT 8\*55",2,2,2,2,2,,,,,,,,,,,,,  
21,1,,26716-080002,, "NUT M 8",3,3,3,3,3,,,,,,,,,,,,,  
22,1,,933171-18390,, "PIN, FOOT BAR",1,1,1,1,1,,,,,,,,,,,,,  
23,1,,172150-42600,, "ROD(RA)",1,1,1,1,1,,,,,,,,,,,,,  
24,1,,172122-46590,, "ELBALL 8",3,3,3,3,3,,,,,,,,,,,,,  
25,1,,172162-46700,, "ROD 278",1,1,1,1,1,,,,,,,,,,,,,  
26,1,,172162-46940,, "ROD L=364",1,1,1,1,1,,,,,,,,,,,,,  
27,1,,172162-46950,, "BOLT M8,SPACER",1,1,1,1,1,,,,,,,,,,,,,  
28,1,,172162-46960,, "NUT M8",1,1,1,1,1,,,,,,,,,,,,,  
29,1,,172162-46970,, "BOLT,SQUARE NECK",1,1,1,1,1,,,,,,,,,,,,,  
30,1,,22137-080000,, "WASHER 8, POLISHED",3,3,3,3,3,,,,,,,,,,,,,  
31,1,,22417-160160,, "COTTER PIN 1.6X16",1,1,1,1,1,,,,,,,,,,,,,  
32,1,,26051-080002,, "NUT M 8",8,8,8,8,8,,,,,,,,,,,,,  
33,1,,26756-060002,, "LOCK NUT 6",1,1,1,1,1,,,,,,,,,,,,,  
34,1,,933110-54100,, "PIN 4.75X14",1,1,1,1,1,,,,,,,,,,,,,  
35,1,,26756-080002,, "LOCK NUT M 8 PLATED",1,1,1,1,1,,,,,,,,,,,,,

Fig. 33 操縦装置(オフセット)  
CONTROL EQUIPMENT(OFFSET)



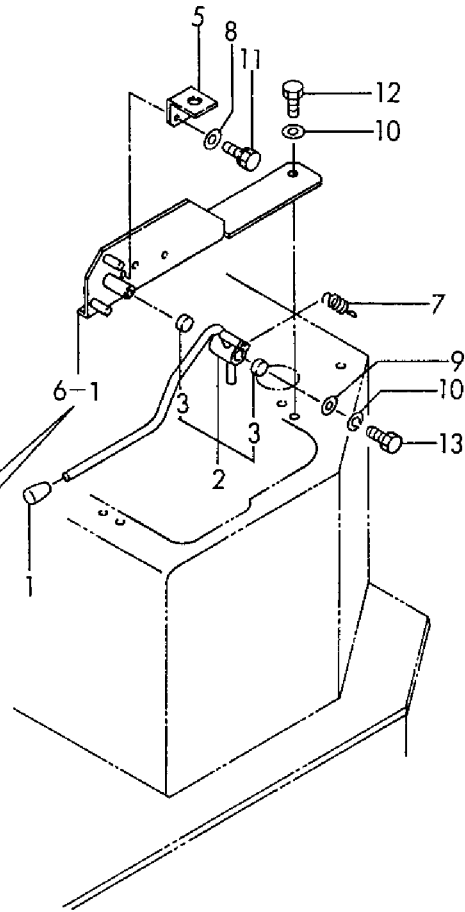
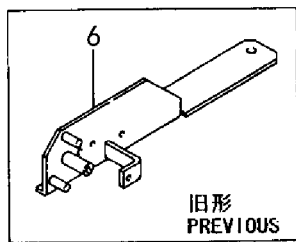
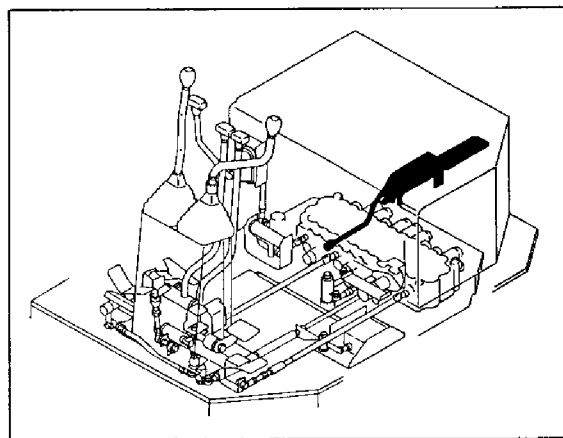
1,1,,172162-46510,,BRACKET,1,1,,,,,,,,,,,,,  
1-1,1,,172162-  
46511,,BRACKET,1,1,1,1,1,,S,1,72168272,\*1995.06,72168272,\*1995.06,,,,,,,,,I  
2,1,,22217-100000,, "SPRING WASHER 10",2,2,2,2,2,,,,,,,,,,,,,  
3,1,,26116-100202,, "BOLT M10X 20 PLATED",2,2,2,2,2,,,,,,,,,,,,,  
4,1,,172122-45830,, "PAD, METAL",1,1,1,1,1,,,,,,,,,,,,,  
5,1,,172124-46200,, "O-RING 27X5.7",1,1,1,1,1,,,,,,,,,,,,,  
6,1,,172162-46640,, "PEDAL COMPL.",1,1,1,1,1,,,,,,,,,,,,,  
7,1,,172162-46660,, "SHAFT COMPL.",1,1,1,1,1,,,,,,,,,,,,,  
8,1,,172614-47550,, "SPRING, RETURN",1,1,,,,,,,,,,,,,  
8-1,1,,172162-  
46690,,SPRING,1,1,1,1,1,,N,,72162298,M00550,72162298,M00550,,,,,,,,,I  
9,1,,22217-100000,, "SPRING WASHER 10",1,1,1,1,1,,,,,,,,,,,,,  
10,1,,24311-000210,, "O-RING 1A P-21.0",1,1,1,1,1,,,,,,,,,,,,,  
11,1,,26116-060202,, "BOLT M 6X 20",1,1,,,,,,,,,,,,,  
11-1,1,,26116-060304,, "BOLT M 6X 30  
PLATED",1,1,1,1,1,,N,,72162298,M00550,72162298,M00550,,,,,,,,,I  
12,1,,26116-080404,, "BOLT M 8X 40 PLATED",1,1,1,1,1,,,,,,,,,,,,,  
13,1,,26666-100002,,NUT,1,1,1,1,1,,,,,,,,,,,,,  
14,1,,26716-060002,, "NUT 6",1,1,1,1,1,,,,,,,,,,,,,  
15,1,,26716-080002,, "NUT M 8",1,1,1,1,1,,,,,,,,,,,,,

Fig. 34 操縦装置(走行2速切替ペダル)  
CONTROL EQUIPMENT(DRIVING 2ND SW. PEDAL)



1,1,,172116-46630,, "KNOB, LOCK LEVER",1,1,1,1,1,,,,,,,,,,,,,  
2,1,,172162-46800,, "LEVER COMP., CUT-OFF",1,1,1,1,1,,,,,,,,,,,,,  
3,2,,172141-41360,, "BUSH 1415",2,2,2,2,2,,,,,,,,,,,,,  
5,1,,172162-46830,, "BRACKET",1,1,1,1,1,,,,,,,,,,,,,  
6,1,,172162-46840,, "BRACKET COMPL.",1,1,,,,,,,,,,,,,  
6-1,1,,172162-46841,, "BRACKET  
COMPL.",1,1,1,1,1,S,,72162169,M00504,72162169,M00504,,,,,,,,,  
7,1,,172614-47550,, "SPRING, RETURN",1,1,1,1,1,,,,,,,,,,,,,  
8,1,,22157-060000,, "WASHER 6",2,2,2,2,2,,,,,,,,,,,,,  
9,1,,22157-080000,, "WASHER 8",1,1,1,1,1,,,,,,,,,,,,,  
10,1,,22217-080000,, "SPRING WASHER 8",3,3,3,3,3,,,,,,,,,,,,,  
11,1,,26013-060202,, "BOLT M 6X 20",2,2,2,2,2,,,,,,,,,,,,,  
12,1,,26116-080202,, "BOLT M 8X 20 PLATED",2,2,2,2,2,,,,,,,,,,,,,  
13,1,,26116-080202,, "BOLT M 8X 20 PLATED",1,1,1,1,1,,,,,,,,,,,,,

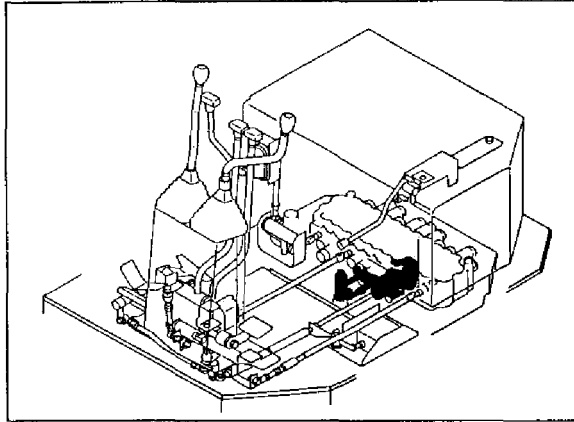
Fig. 35 操縦装置(カットワ)  
CONTROL EQUIPMENT(CUT-OFF)





1,1,,772162-46100,, "3RD VALVE ASSY",1,1,,,,,1,,,,,,,,,  
1-1,1,,772162-46101,, "VALVE  
P.T.O",1,1,,,,,S,1,72162248,M00501,72162248,M00501,,,,,,,,,I  
2,2,,172162-46100,, "SHAFT COMPL.",1,1,,1,1,,,,,,,,,  
3,2,,172162-46130,, "BOSS COMPL.",1,1,,1,1,,,,,,,,,  
4,3,,172141-41370,, "BUSH 2015",2,2,,2,2,,,,,,,,,  
6,2,,172162-46160,, "PEDAL COMPL.",1,1,,1,1,,,,,,,,,  
7,2,,172162-46170,, "BOSS COMPL.",1,1,,1,1,,,,,,,,,  
8,3,,172141-41370,, "BUSH 2015",2,2,,2,2,,,,,,,,,  
10,2,,172162-46190,, "SHAFT",1,1,,1,1,,,,,,,,,  
11,2,,172124-46200,, "O-RING 27X5.7",4,4,,4,4,,,,,,,,,  
12,2,,172162-46200,, "ROD 93",1,1,,1,1,,,,,,,,,  
13,2,,172162-46210,, "ROD 98.5",1,1,,1,1,,,,,,,,,  
14,2,,172162-46220,, "ROD 60",1,1,,1,1,,,,,,,,,  
15,2,,172122-46590,, "ELBALL 8",3,3,,3,3,,,,,,,,,  
16,2,,22137-080000,, "WASHER 8, POLISHED",3,3,,3,3,,,,,,,,,  
17,2,,22137-200000,, "WASHER 20,POLISHED",1,1,,1,1,,,,,,,,,  
18,2,,22217-100000,, "SPRING WASHER 10",1,1,,1,1,,,,,,,,,  
19,2,,22417-160160,, "COTTER PIN 1.6X16",1,1,,1,1,,,,,,,,,  
20,2,,24761-040000,, "NIPPLE B,GREASE",1,1,,1,1,,,,,,,,,  
21,2,,24761-050000,, "NIPPLE C,GREASE",1,1,,1,1,,,,,,,,,  
22,2,,26013-080252,, "BOLT M 8X 25",2,2,,2,2,,,,,,,,,  
23,2,,26051-080002,, "NUT M 8",3,3,,3,3,,,,,,,,,  
24,2,,26051-080002,, "NUT M 8",4,4,,4,4,,,,,,,,,  
25,2,,26116-080254,, "BOLT M 8X 25 PLATED",2,2,,2,2,,,,,,,,,  
26,2,,26116-100202,, "BOLT M10X 20 PLATED",1,1,,1,1,,,,,,,,,  
27,2,,26716-080002,, "NUT M 8",2,2,,2,2,,,,,,,,,  
28,2,,933110-54100,, "PIN 4.75X14",1,1,,1,1,,,,,,,,,

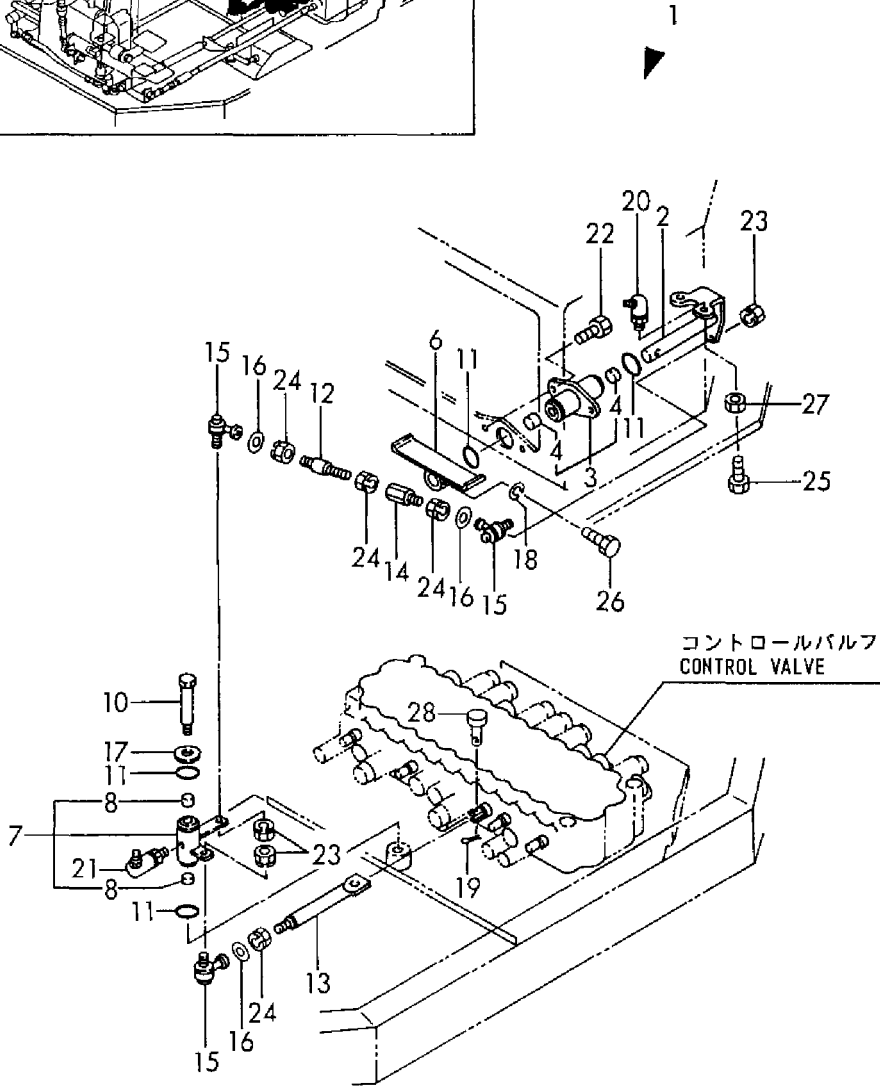
Fig. 36 操縦装置(P. T. O.)  
CONTROL EQUIPMENT(P. T. O.)



P. T. O. バルブ ASSY(オプション)  
P. T. O. VALVE ASSY(OPTIONAL)  
(772162-46100)  
(772162-46101)

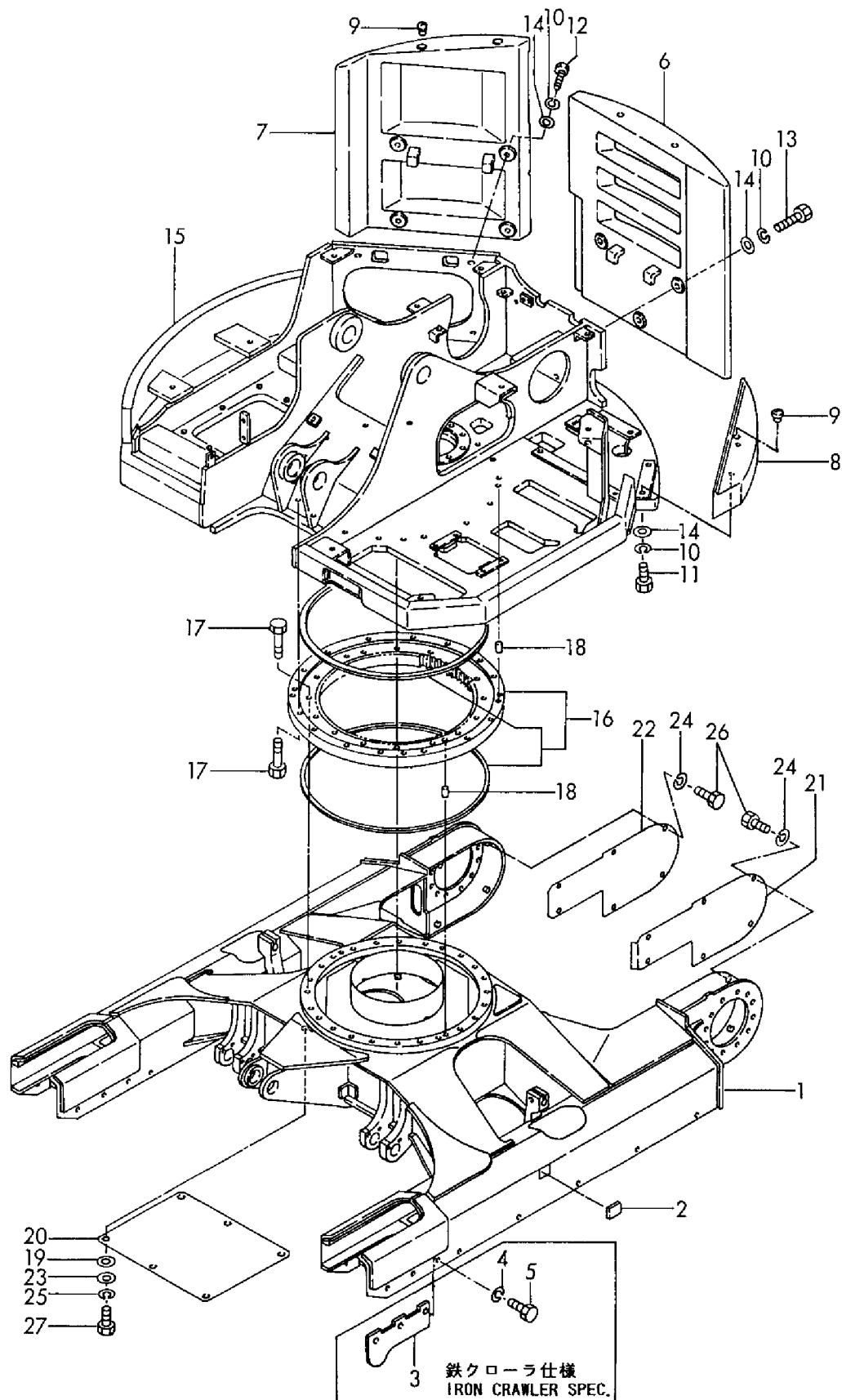
項目No. 36の見出しNo. 1及び1-1は  
項目No. 36の見出しNo. 2から28と  
項目No. 73の見出しNo. 1から51を  
含みます。

Fig. 36 Ref. No. 1, 1-1  
INC Fig. 36 Ref. No. 2~28  
Fig. 73 Ref. No. 1~51



1,1,,172162-50100,, "FRAME COMP.,LOWER",1,1,1,1,1,,,,,,,,,,,,,  
2,1,,172141-50890,,GROMMET,2,2,2,2,2,,,,,,,,,,,,,  
3,1,,172162-50800,, "PLATE, GUARD",4,4,4,4,4,,,,1,,,,,,,,,,,,,  
4,1,,22217-160000,, "SPRING WASHER 16",12,12,12,12,12,,,,1,,,,,,,,,,,,,  
5,1,,26116-160502,, "BOLT M16X 50 PLATED",12,12,12,12,12,,,,1,,,,,,,,,,,,,  
6,1,,172162-53300,, "WEIGHT COMP.,CENTER",1,1,1,1,1,,,,,,,,,,,,,  
6-1,1,,172162-53280,, "WEIGHT  
COMP.,CENTER",1,1,1,1,1,N,,72162290,M00523,72162290,M00523,,,,,,,,,I  
7,1,,172162-53330,, "WEIGHT R COMPL.",1,1,1,1,1,,,,,,,,,,,,,  
7-1,1,,172162-53290,, "WEIGHT R  
COMPL.",1,1,1,1,1,N,,72162290,M00523,72162290,M00523,,,,,,,,,I  
8,1,,172162-53350,, "WEIGHT L",1,1,1,1,1,,,,,,,,,,,,,  
9,1,,172162-53360,, "PLUG M16",3,3,3,3,3,,,,,,,,,,,,,  
10,1,,22217-160000,, "SPRING WASHER 16",9,9,9,9,9,,,,,,,,,,,,,  
11,1,,26116-160452,, "BOLT M16X 45 PLATED",2,2,2,2,2,,,,,,,,,,,,,  
12,1,,26116-160702,, "BOLT M16X 70 PLATED",4,4,4,4,4,,,,,,,,,,,,,  
13,1,,26116-161102,, "BOLT M16X110 PLATED",3,3,3,3,3,,,,,,,,,,,,,  
14,1,,933147-08501,, "WASHER 17X40X4.5",9,9,9,9,9,,,,,,,,,,,,,  
15,1,,172162-54100,, "FRAME COMP.,TURNING",1,1,,,,,,,,,,,,,  
15-1,1,,172162-54101,, "FRAME  
COMP.,TURNING",1,1,,,,,N,,72162132,M00504,72162132,M00504,,,,,,,,,  
15-2,1,,172162-54102,, "FRAME  
COMP.,TURNING",1,1,,,,,N,,72162261,M00531,72162261,M00531,,,,,,,,,I  
15-3,1,,172162-54103,, "FRAME  
COMP.,TURNING",1,1,1,1,1,N,,72162401,M00747,72162401,M00747,,,,,,,,,I  
16,1,,172162-57600,, "BEARING COMP.,SWING",1,1,1,1,1,,,,,,,,,,,,,  
17,1,,172162-57650,, "BOLT M16X90",48,48,48,48,48,,,,,,,,,,,,,  
18,1,,172162-57660,, "PIN 16X40,STRAIGHT",4,4,4,4,4,,,,,,,,,,,,,  
19,1,,172162-61500,,RUBBER,6,6,6,6,6,,,,,,,,,,,,,  
20,1,,172162-61510,, "COVER, UNDER",1,1,1,1,1,,,,,,,,,,,,,  
21,1,,172162-61600,, "COVER L,TRAVEL",1,1,1,1,1,,,,,,,,,,,,,  
22,1,,172162-61610,, "COVER R,TRAVEL",1,1,1,1,1,,,,,,,,,,,,,  
23,1,,22157-120000,, "WASHER 12",6,6,6,6,6,,,,,,,,,,,,,  
24,1,,22217-100000,, "SPRING WASHER 10",12,12,12,12,12,,,,,,,,,,,,,  
25,1,,22217-120000,, "SPRING WASHER",6,6,6,6,6,,,,,,,,,,,,,  
26,1,,26116-100202,, "BOLT M10X 20 PLATED",12,12,12,12,12,,,,,,,,,,,,,  
27,1,,26116-120302,, "BOLT M12X 30 PLATED",6,6,6,6,6,,,,,,,,,,,,,

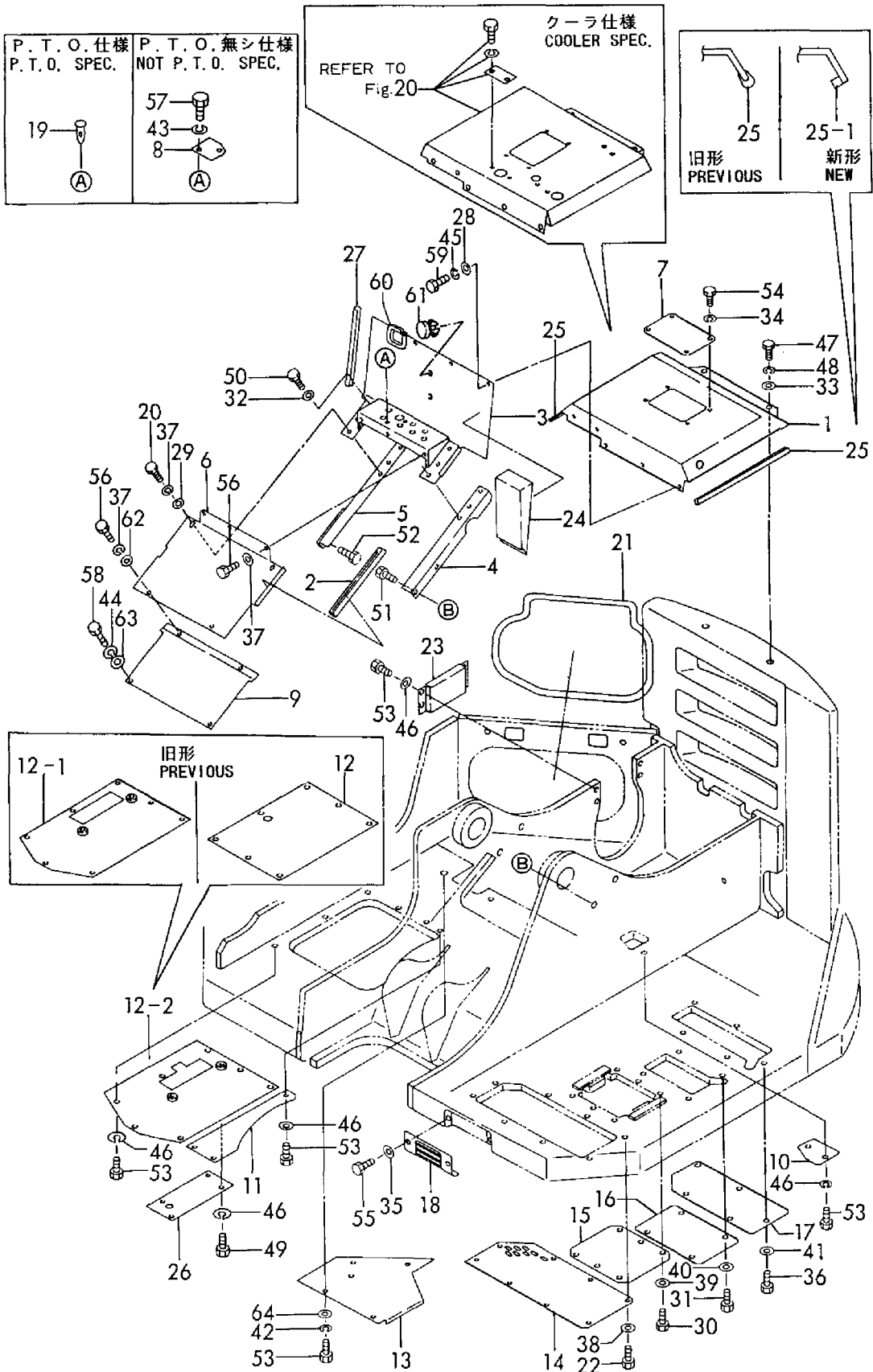
Fig. 37 フレーム & 旋回ベアリング  
 FRAME & TURNING BEARING



1,1,,172162-61100,, "COVER A COMPL.",1,1,,,,,,,,,,,,,  
1-1,1,,172162-61101,, "COVER A  
ASSY",1,1,1,1,1,,S,,72162269,M00636,72162269,M00636,,,,,,,,,I  
2,1,,172162-61120,, "SEAL,COVER B",1,1,1,1,1,,,,,,,,,,,,,  
3,1,,172162-61130,, "BRACKET COMPL.",1,1,1,1,1,,,,,,,,,,,,,  
4,1,,172162-61190,, "STAY L COMPL.",1,1,1,1,1,,,,,,,,,,,,,  
5,1,,172162-61230,, "STAY R COMPL.",1,1,1,1,1,,,,,,,,,,,,,  
6,1,,172162-61250,, "COVER B",1,1,1,1,1,,,,,,,,,,,,,  
7,1,,172146-61280,, "COVER(I)",1,1,1,1,1,,,,,,,,,,,,,  
8,1,,172162-61280,, "PLATE D",1,1,1,1,1,,2,,,,,,,,,,,,,  
9,1,,172162-61290,, "COVER C COMPL.",1,1,1,1,1,,,,,,,,,,,,,  
10,1,,172162-61390,, "COVER F",1,1,1,1,1,,,,,,,,,,,,,  
11,1,,172162-61400,, "COVER G",1,1,1,1,1,,,,,,,,,,,,,  
12,1,,172162-61410,, "COVER H COMPL.",1,1,,,,,,,,,,,,,  
12-1,1,,172162-61411,, "COVER H  
COMPL.",1,1,,,,,S,,72162132,M00504,72162132,M00504,,,,,,,,,  
12-2,1,,172162-61412,, "COVER H  
COMPL.",1,1,1,1,1,,N,,72162401,M00747,72162401,M00747,,,,,,,,,I  
13,1,,172162-61420,, "COVER I",1,1,1,1,1,,,,,,,,,,,,,  
14,1,,172162-61560,, "COVER A,UNDER",1,1,1,1,1,,,,,,,,,,,,,  
15,1,,172162-61570,, "COVER B,UNDER",1,1,1,1,1,,3,,,,,,,,,,,,,  
16,1,,172162-61580,, "COVER C,UNDER",1,1,1,1,1,,,,,,,,,,,,,  
17,1,,172162-61590,, "COVER D,UNDER",1,1,1,1,1,,,,,,,,,,,,,  
18,1,,172162-61650,, "COVER COMP.,LAMP",1,1,1,1,1,,,,,,,,,,,,,  
19,1,,172122-17190,, "CLIP",2,2,2,2,,1,,,,,,,,,,,,,  
20,1,,26116-100252,, "BOLT M10X 25 PLATED",2,2,2,2,2,,,,,,,,,,,,,  
21,1,,172162-61730,, "SEAL,WEIGHT",1,1,1,1,1,,,,,,,,,,,,,  
22,1,,26116-100252,, "BOLT M10X 25 PLATED",8,8,8,8,8,,,,,,,,,,,,,  
23,1,,172162-61790,, "COVER J",1,1,1,1,1,,,,,,,,,,,,,  
24,1,,172162-61810,, "SEAL,BRACKET",1,1,1,1,1,,,,,,,,,,,,,  
25,1,,172162-61820,, "SEAL,COVER A RUBBER",2,2,,,,,,,,,,,,,  
25-1,1,,172162-61920,, "SEAL,COVER  
A",1,1,1,1,1,,S,,72162292,M00631,72162292,M00631,,,,,,,,,I  
26,1,,172162-61830,, "COVER H",1,1,,,,,,,,,,,,,  
26-1,1,,172162-  
61831,, "COVER(E)",1,1,1,1,1,,N,,72162401,M00747,72162401,M00747,,,,,,,,,I  
27,1,,172162-61880,, "SEAL,PLATE B",1,1,1,1,1,,,,,,,,,,,,,  
28,1,,22137-100000,, "WASHER 10,POLISHED",3,3,3,3,3,,,,,,,,,,,,,  
29,1,,22137-100000,, "WASHER 10,POLISHED",2,2,2,2,2,,,,,,,,,,,,,  
30,1,,26116-100252,, "BOLT M10X 25 PLATED",6,6,6,6,6,,3,,,,,,,,,,,,,  
31,1,,26116-100252,, "BOLT M10X 25 PLATED",4,4,4,4,4,,,,,,,,,,,,,  
32,1,,22137-120000,, "WASHER 12,POLISHED",4,4,4,4,4,,,,,,,,,,,,,  
33,1,,22137-160000,, "WASHER 16,POLISHED",2,2,2,2,2,,,,,,,,,,,,,  
34,1,,22217-080000,, "SPRING WASHER 8",4,4,4,4,4,,,,,,,,,,,,,  
35,1,,22217-080000,, "SPRING WASHER 8",2,2,2,2,2,,,,,,,,,,,,,  
36,1,,26116-100252,, "BOLT M10X 25 PLATED",5,5,5,5,5,,,,,,,,,,,,,  
37,1,,22217-100000,, "SPRING WASHER 10",7,7,7,7,7,,,,,,,,,,,,,  
38,1,,22217-100000,, "SPRING WASHER 10",8,8,8,8,8,,,,,,,,,,,,,  
39,1,,22217-100000,, "SPRING WASHER 10",6,6,6,6,6,,3,,,,,,,,,,,,,  
40,1,,22217-100000,, "SPRING WASHER 10",4,4,4,4,4,,,,,,,,,,,,,  
41,1,,22217-100000,, "SPRING WASHER 10",5,5,5,5,5,,,,,,,,,,,,,  
42,1,,22217-100000,, "SPRING WASHER 10",2,2,2,2,2,,,,,,,,,,,,,  
43,1,,22217-100000,, "SPRING WASHER 10",2,2,2,2,2,,2,,,,,,,,,,,,,  
44,1,,22217-100000,, "SPRING WASHER 10",2,2,2,2,2,,,,,,,,,,,,,  
45,1,,22217-100000,, "SPRING WASHER 10",3,3,3,3,3,,,,,,,,,,,,,  
46,1,,22217-100000,, "SPRING WASHER 10",20,20,20,20,20,,,,,,,,,,,,,  
47,1,,26116-160252,, "BOLT M16X 25 PLATED",2,2,,,,,,,,,,,,,  
47-1,1,,26116-160302,, "BOLT M16X 30  
PLATED",2,2,2,2,2,,R,,72162347,M00563,72162347,M00563,,,,,,,,,I  
48,1,,22217-160000,, "SPRING WASHER 16",2,2,2,2,2,,,,,,,,,,,,,  
49,1,,26013-100162,, "BOLT M10X 16",2,2,,,,,,,,,,,,,  
49-1,1,,26116-100162,, "BOLT M10X 16  
PLATED",2,2,2,2,2,,N,,72162321,M00501,72162321,M00501,,,,,,,,,I

50,1,,26013-120302,, "BOLT W/WASHER M12X30",4,4,4,4,4,,,,,,,,,,,,,  
51,1,,26013-120302,, "BOLT W/WASHER M12X30",2,2,2,2,2,,,,,,,,,,,,,  
52,1,,26013-120352,, "BOLT M12X 35",2,2,2,2,2,,,,,,,,,,,,,  
53,1,,26116-100202,, "BOLT M10X 20 PLATED",20,20,20,20,20,,,,,,,,,,,,,  
54,1,,26116-080162,, "BOLT 8X16",4,4,4,4,4,,,,,,,,,,,,,  
55,1,,26116-080202,, "BOLT M 8X 20 PLATED",2,2,2,2,2,,,,,,,,,,,,,  
56,1,,26116-100162,, "BOLT M10X 16 PLATED",5,5,5,5,5,,,,,,,,,,,,,  
57,1,,26116-100162,, "BOLT M10X 16 PLATED",2,2,2,2,2,2,,,,,,,,,,,,,  
58,1,,26116-100162,, "BOLT M10X 16 PLATED",2,2,2,2,2,,,,,,,,,,,,,  
59,1,,26116-100202,, "BOLT M10X 20 PLATED",3,3,3,3,3,,,,,,,,,,,,,  
60,1,,172162-61870,, "RUBBER 200,EDGE",1,1,1,1,1,W,,72162224,"FROM  
1ST",72162224,"FROM 1ST",,,,,,  
61,1,,172165-63650,, "PLUG  
10,HOLE",2,2,2,2,2,W,,72162433,M00937,72162433,M00937,,,,,,,,,I  
62,1,,22157-100000,, "WASHER  
10",2,2,2,2,2,W,,72162352,M00563,72162352,M00563,,,,,,,,,I  
63,1,,22157-100000,, "WASHER  
10",2,2,2,2,2,W,,72162352,M00563,72162352,M00563,,,,,,,,,I  
64,1,,22157-100000,, "WASHER  
10",4,4,4,4,4,W,,72162352,M00563,72162352,M00563,,,,,,,,,I

Fig. 38 フレームカバー  
FRAME COVER

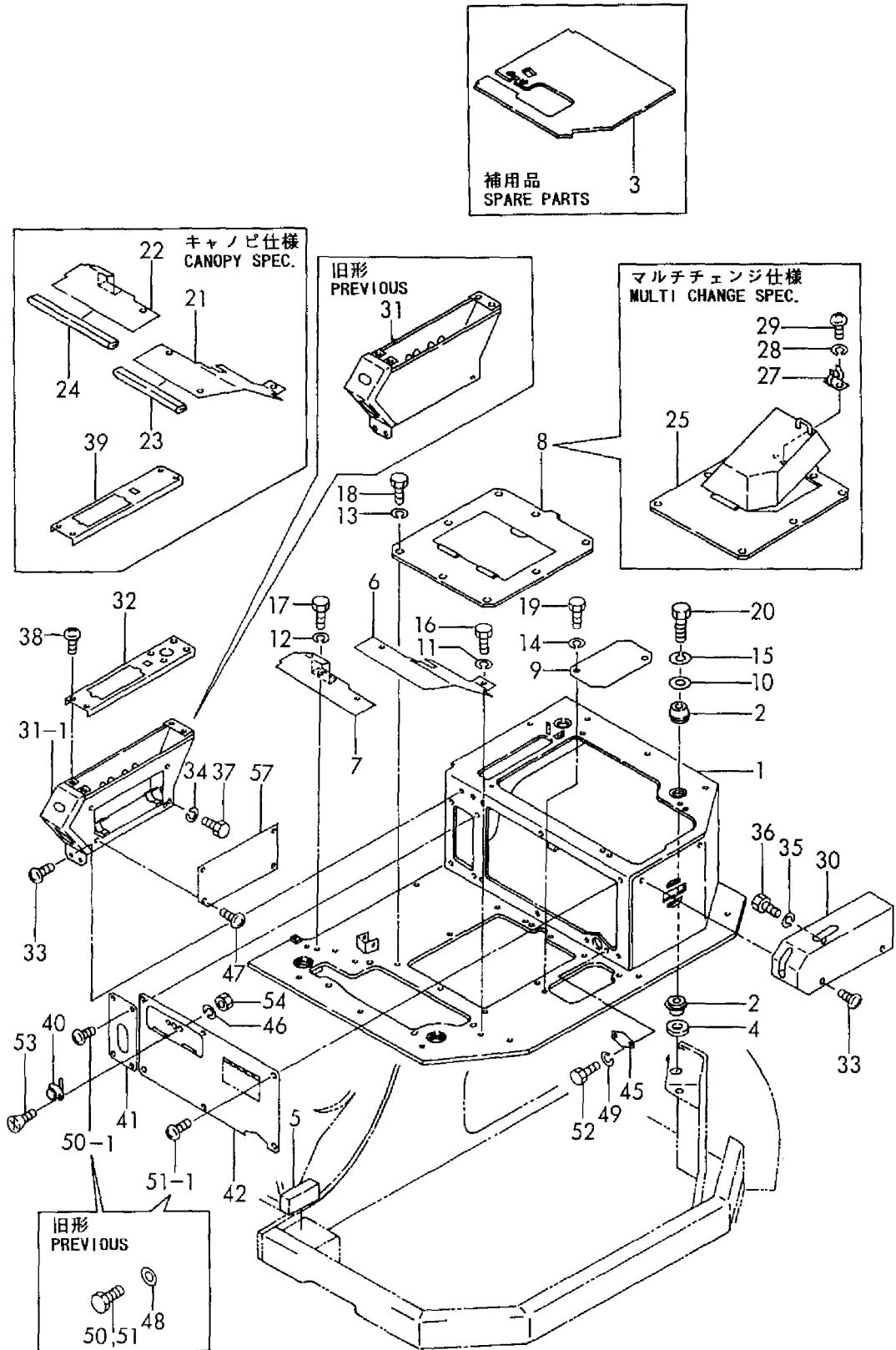


1,1,,172162-62100,, "FLOOR COMP.,FLOAT",1,1,,,,,,,,,,,,,  
1-1,1,,172162-62102,, "FLOOR  
COMP.,FLOAT",1,1,,,,,S,,72162169,M00504,72162169,M00504,,,,,,  
1-2,1,,172162-62103,, "FLOOR  
COMP.,FLOAT",1,1,1,1,1,,N,,72162397,M00747,72162397,M00747,,,,,,I  
2,1,,172162-62350,, "MOUNT,FLOOR",8,8,8,8,8,,,,,,,,,,,,,  
3,1,,172162-62360,, "MAT,FLOOR",1,1,1,1,1,,2,,,,,,,,,,,,,  
4,1,,172162-62370,, "RUBBER A,FLOAT FLOOR",3,3,3,3,3,,,,,,,,,,,,,  
5,1,,172162-62380,, "RUBBER B,FLOAT FLOOR",1,1,1,1,1,,,,,,,,,,,,,  
6,1,,172162-62410,, "STEP L",1,,1,1,1,,,,,,,,,,,,,  
7,1,,172162-62440,, "STEP R",1,,1,1,1,,,,,,,,,,,,,  
8,1,,172162-62500,, "COVER COMP.,FLOOR",1,1,1,1,1,,,,,,,,,,,,,  
9,1,,172162-62830,, PLATE,1,1,1,1,1,,,,,,,,,,,,,  
10,1,,172146-82910,, SPACER,4,4,4,4,4,,,,,,,,,,,,,  
11,1,,22217-080000,, "SPRING WASHER 8",2,3,2,2,2,,,,,,,,,,,,,  
12,1,,22217-080000,, "SPRING WASHER 8",2,2,2,2,2,,,,,,,,,,,,,  
13,1,,22217-080000,, "SPRING WASHER 8",8,8,8,8,8,,,,,,,,,,,,,  
14,1,,22217-080000,, "SPRING WASHER 8",2,2,2,2,2,,,,,,,,,,,,,  
15,1,,22217-120000,, "SPRING WASHER",4,4,4,4,4,,,,,,,,,,,,,  
16,1,,26116-080162,, "BOLT 8X16",2,3,2,2,2,,,,,,,,,,,,,  
17,1,,26116-080162,, "BOLT 8X16",2,2,2,2,2,,,,,,,,,,,,,  
18,1,,26116-080162,, "BOLT 8X16",8,8,8,8,8,,,,,,,,,,,,,  
19,1,,26116-080162,, "BOLT 8X16",2,2,2,2,2,,,,,,,,,,,,,  
20,1,,26116-121002,, "BOLT M12X100 PLATED",4,4,4,4,4,,,,,,,,,,,,,  
21,1,,172162-62460,, "STEP L",,1,,,,,,,,,,,,,  
22,1,,172162-62470,, "STEP R",,1,,,,,,,,,,,,,  
23,1,,172162-62540,, "SEAL,STEP L",,1,,,,,Z,,,,,72162365,M00501,,,,,,I  
24,1,,172162-62550,, "SEAL,STEP R",,1,,,,,Z,,,,,72162365,M00501,,,,,,I  
25,1,,172162-62600,, "COVER COMP.,FLOOR",1,1,,,,,1,,,,,,,,,,,,,  
27,1,,1A1040-66000,, "SPRING,STICK LOCK",1,1,,,,,1,,,,,,,,,,,,,  
28,1,,22217-060000,, "SPRING WASHER 6",2,2,,,,,1,,,,,,,,,,,,,  
29,1,,26557-060162,, "SCREW M 6X 16",2,2,2,2,2,,1,,,,,,,,,,,,,  
30,1,,172162-63200,, "PANEL L COMPL.",1,1,,,,,,,,,,,,,  
30-1,1,,172162-63201,, "PANEL L  
COMPL.",1,1,1,1,1,,S,,72162149,M00504,72162149,M00504,,,,,,  
31,1,,172162-63300,, "PANEL R COMPL.",1,1,,,,,,,,,,,,,  
31-1,1,,172162-63301,, "PANEL R  
COMPL.",1,1,,,,,F,5,72162133,M00504,72162133,M00504,,,,,,  
31-2,1,,172162-63302,, "PANEL R  
COMPL.",1,1,1,1,1,,N,,72168273,\*1995.06,72168273,\*1995.06,,,,,,I  
32,1,,172162-63310,, "COVER COMPL.",1,,1,1,1,,,,,,,,,,,,,  
33,1,,172137-69850,, SCREW,4,4,4,4,4,,,,,,,,,,,,,  
33-1,1,,172519-63240,, "BOLT 8X  
16",4,4,4,4,4,,R,,72162258,M00563,72162258,M00563,,,,,,I  
34,1,,22217-080000,, "SPRING WASHER  
8",2,2,2,2,2,,Z,,72162258,M00563,72162256,M00563,,,,,,  
35,1,,22217-080000,, "SPRING WASHER 8",1,1,1,1,1,,,,,,,,,,,,,  
36,1,,26116-080122,, "BOLT M 8X 12 PLATED",1,1,1,1,1,,,,,,,,,,,,,  
37,1,,26116-080162,, "BOLT 8X16",2,2,,,,,,,,,,,,,  
37-1,1,,172519-63240,, "BOLT 8X  
16",2,2,2,2,2,,R,,72162258,M00563,72162258,M00563,,,,,,I  
38,1,,26589-060162,, "SCREW M6,BINDING",4,4,4,4,4,,,,,,,,,,,,,  
39,1,,172162-63330,, "COVER COMPL.",,1,,,,,,,,,,,,,  
40,1,,172212-61230,, "FASTENER, DIAL",1,1,1,1,1,,,,,,,,,,,,,  
41,1,,172162-61430,, "COVER K",1,1,1,1,1,,,,,,,,,,,,,  
42,1,,172162-61440,, "COVER L COMP.,SEAL",1,1,,,,,,,,,,,,,  
42-1,1,,172162-61441,, "COVER L  
COMP.,SEAL",1,1,1,1,1,,S,,72162129,M00504,72162129,M00504,,,,,,  
45,1,,172162-61550,, PLATE,1,1,1,1,1,,,,,,,,,,,,,  
46,1,,22217-050000,, "SPRING WASHER 5",2,2,2,2,2,,,,,,,,,,,,,  
47,1,,26589-060162,, "SCREW  
M6,BINDING",4,4,4,4,4,,W,,72162133,M00504,72162133,M00504,,,,,,



48,1,,22217-080000,, "SPRING WASHER  
8",10,10,,,,,Z,,72162129,M00504,72162129,M00504,,,,,  
49,1,,22217-080000,, "SPRING WASHER  
8",2,2,,,,,Z,,72162258,M00563,72162258,M00563,,,,,  
50,1,,26116-080162,, "BOLT 8X16",4,4,,,,,  
50-1,1,,172137-69850,, "SCREW",4,4,,,,,N,,72162129,M00504,72162129,M00504,,,,,  
50-2,1,,172519-63240,, "BOLT 8X  
16",4,4,4,4,4,,R,,72162258,M00563,72162258,M00563,,,,,I  
51,1,,26116-080162,, "BOLT 8X16",6,6,,,,,  
51-1,1,,172137-69850,, "SCREW",6,6,,,,,N,,72162129,M00504,72162129,M00504,,,,,  
51-2,1,,172519-63240,, "BOLT 8X  
16",6,6,6,6,6,,R,,72162258,M00563,72162258,M00563,,,,,I  
52,1,,26116-080162,, "BOLT 8X16",2,2,,,,,  
52-1,1,,172519-63240,, "BOLT 8X  
16",2,2,2,2,2,,R,,72162258,M00563,72162258,M00563,,,,,I  
53,1,,26577-050122,, "SCREW M 5X 12",2,2,2,2,2,,,,,  
54,1,,26716-050002,, "NUT M 5",2,2,2,2,2,,,,,  
57,1,,172162-63460,, "PLATE",1,1,1,1,1,,W,,72162133,M00504,72162133,M00504,,,,,

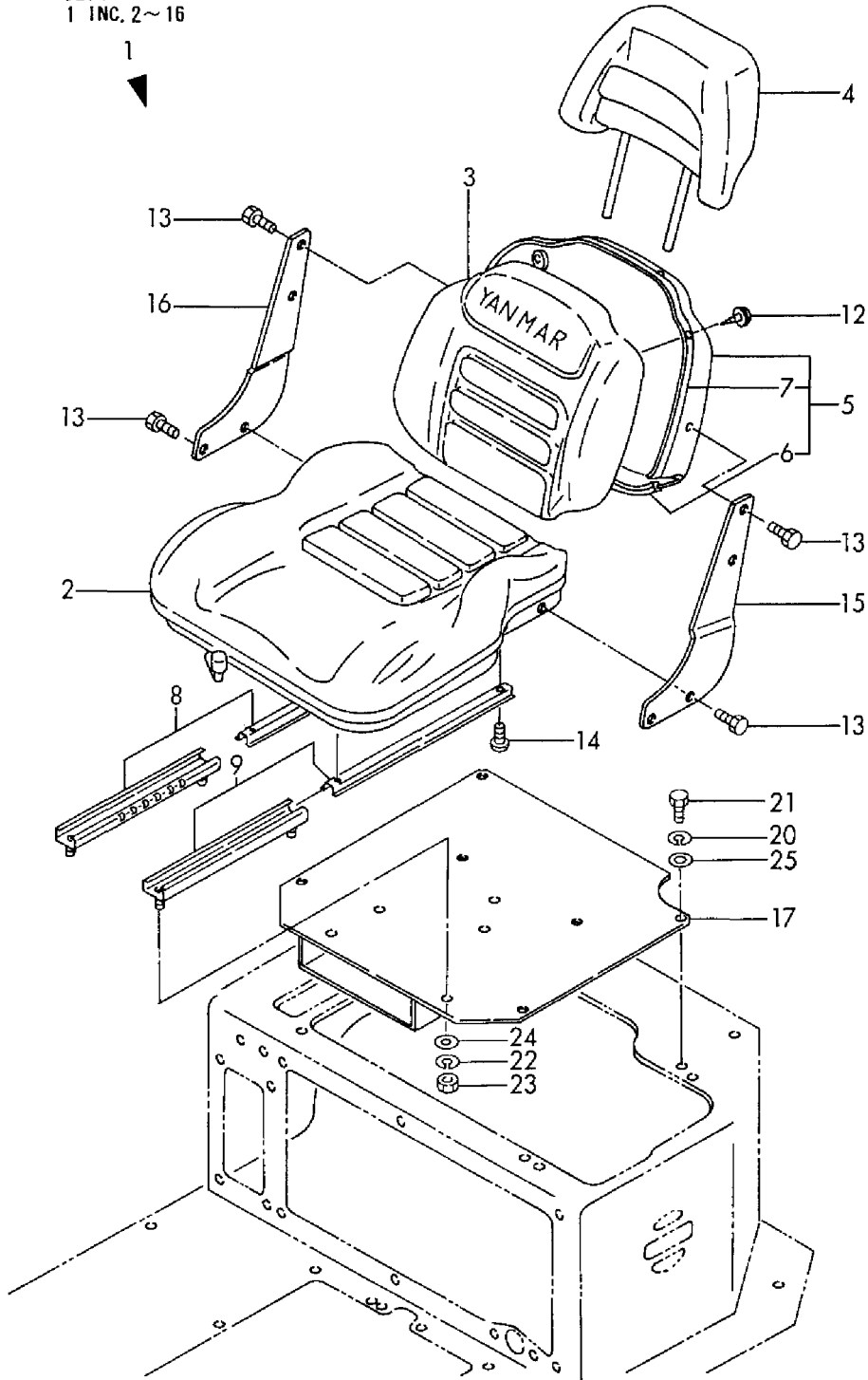
Fig. 39 ステップ & インパネ  
STEP & INSTRUMENT PANEL



1,1,,172162-64200,, "SEAT,OPERATOR",1,1,1,1,,,,,,,,,,,,,  
2,2,,172162-64210,, "CUSHION ASSY",1,1,1,1,,,,,,,,,,,,,  
3,2,,172162-64220,, "BACK ASSY",1,1,1,1,,,,,,,,,,,,,  
4,2,,172162-64230,, "BACK (B) ASSY",1,1,1,1,,,,,,,,,,,,,  
5,2,,172162-64240,, "PANEL,BACK",1,1,1,1,,,,,,,,,,,,,  
6,3,,172162-64320,, "RUBBER A,EDGE",1,1,1,1,,,,,,,,,,,,,  
7,3,,172162-64330,, "RUBBER B,EDGE",1,1,1,1,,,,,,,,,,,,,  
8,2,,172162-64270,, "ADJUSTER,SEAT SLIDE",1,1,1,1,,,,,,,,,,,,,  
9,2,,172162-64280,, "ADJUSTER,SEAT SLIDE",1,1,1,1,,,,,,,,,,,,,  
12,2,,172162-64310,, "SCREW M5X10,TAPPING",3,3,3,3,,,,,,,,,,,,,  
13,2,,26013-080202,, "BOLT W/WASHER M8X20",8,8,8,8,,,,,,,,,,,,,  
14,2,,26022-080162,, "SCREW M 8X 16",4,4,4,4,,,,,,,,,,,,,  
15,2,,172162-64250,, "BRACKET L,SIDE",1,1,1,1,,,,,,,,,,,,,  
16,2,,172162-64260,, "BRACKET R,SIDE",1,1,1,1,,,,,,,,,,,,,  
17,1,,172162-64380,, "MOUNT COMP.,OP.SEAT",1,1,1,1,1,,,,,,,,,,,,,  
20,1,,22217-080000,, "SPRING WASHER 8",4,4,4,4,4,,,,,,,,,,,,,  
21,1,,26116-080162,, "BOLT 8X16",4,4,4,4,4,,,,,,,,,,,,,  
22,1,,22217-080000,, "SPRING WASHER 8",4,4,4,4,4,,,,,,,,,,,,,  
23,1,,26716-080002,, "NUT M 8",4,4,4,4,4,,,,,,,,,,,,,  
24,1,,22137-080000,, "WASHER 8,  
POLISHED",4,4,4,4,4,,W,,72165354,M00772,72165354,M00772,,,,,,,,,I  
25,1,,22137-080000,, "WASHER 8,  
POLISHED",4,4,4,4,4,,W,,72162349,M00618,72162349,M00618,,,,,,,,,I

# Fig. 40 シート & シートマウント SEAT & SEAT MOUNT

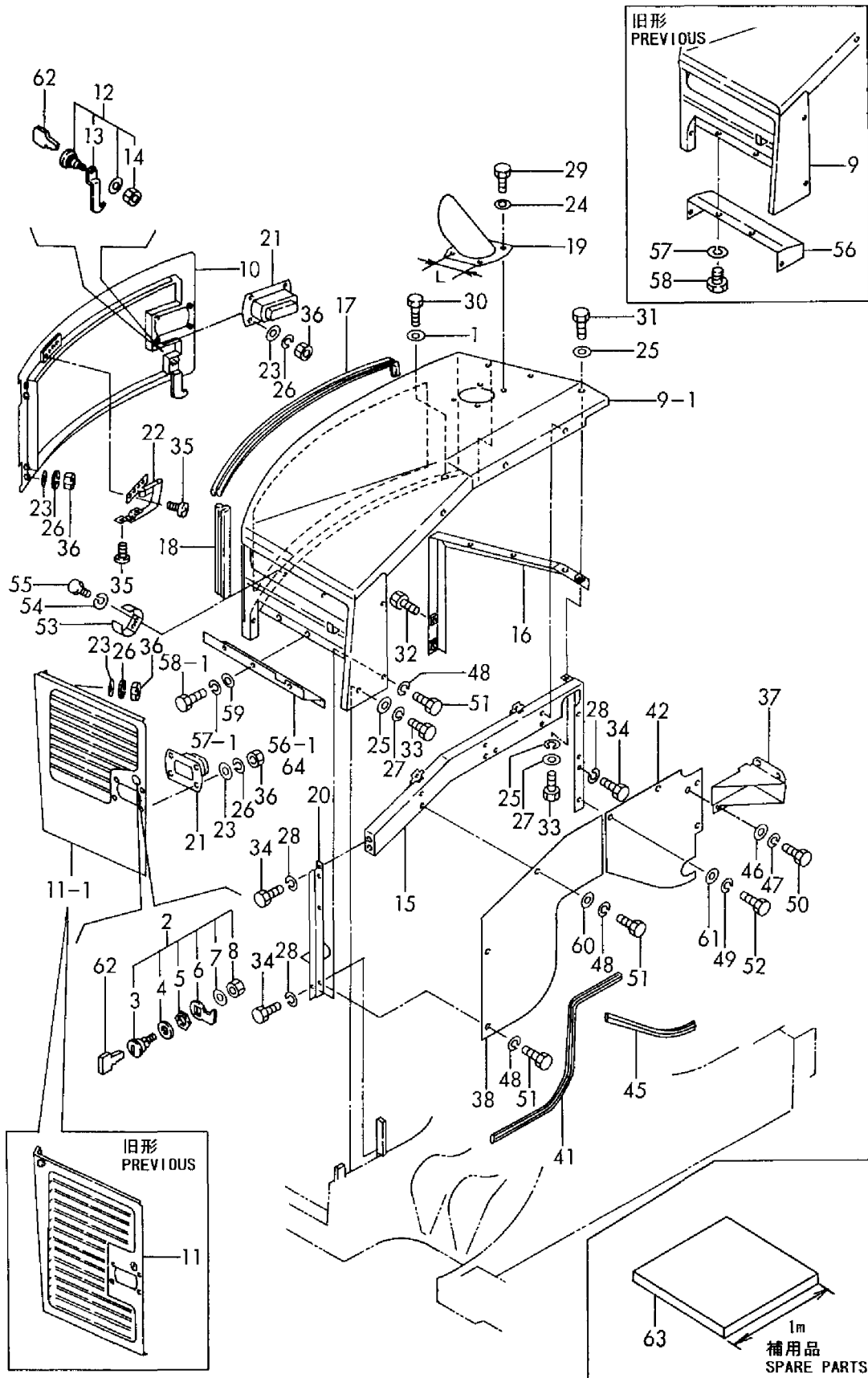
見出しNo. 1は  
見出しNo. 2から16を含みます。  
1 INC. 2~16



1,1,,194145-04810,, "WASHER 10",3,3,3,3,3,,,,,,,,,,,,,  
2,1,,172122-05410,, "KEY ASSY",1,1,1,1,1,,,,,,,,,,,,,  
3,2,,172122-05420,, KEY,1,1,1,1,1,,,,,,,,,,,,,  
4,2,,172122-05430,, "WASHER 31X4",1,1,1,1,1,,,,,,,,,,,,,  
5,2,,172122-05440,, "NUT 30X1.5X4.5",1,1,1,1,1,,,,,,,,,,,,,  
6,2,,172122-05450,, "PLATE 21, LOCK",1,1,1,1,1,,,,,,,,,,,,,  
7,2,,22137-100000,, "WASHER 10,POLISHED",1,1,1,1,1,,,,,,,,,,,,,  
8,2,,26346-100002,, "U-NUT M10 PLATED",1,1,1,1,1,,,,,,,,,,,,,  
9,1,,172162-65100,, "ABSORB.MTL.,BNNT.SD.",1,1,,,,,,,,,,,,,  
9-1,1,,172162-  
65101,, "ABSORB.MTL.,BNNT.SD.",1,1,,,,,S,,72162132,M00504,72162132,M00504,,,,,,  
9-2,1,,172162-  
65102,, "ABSORB.MTL.,BNNT.SD.",1,1,1,1,1,,S,,72162242,M00534,72162242,M00534,,,,,  
''  
10,1,,172162-65390,, "ABSORB.MTL.,CVR.A SD",1,1,1,1,1,,,,,,,,,,,,,  
11,1,,172162-65440,, "COVER B COMPL.",1,1,,,,,,,,,,,,,  
11-1,1,,172162-65800,, "COVER B  
COMPL.",1,1,1,1,1,,N,,72162458,M01049,72162458,M01049,,,,,,I  
12,1,,172126-65500,, KEY,1,1,1,1,1,,,,,,,,,,,,,  
13,2,,172126-65571,, "WASHER LOCK",1,1,1,1,1,,,,,,,,,,,,,  
14,2,,26347-100002,, "U-NUT M10",1,1,1,1,1,,,,,,,,,,,,,  
15,1,,172162-65540,, "SEAL COMP.,SUPPORT A",1,1,1,1,1,,,,,,,,,,,,,  
16,1,,172162-65630,, "SUPPORT C COMPL.",1,1,1,1,1,,,,,,,,,,,,,  
17,1,,172162-65650,, "SEAL,COVER A",2,2,2,2,2,,,,,,,,,,,,,  
18,1,,172162-65660,, "SEAL,COVER B",1,1,1,1,1,,,,,,,,,,,,,  
19,1,,172162-65670,, "COVER COMPL.",1,1,,,,,,,,,,,,,  
19-1,1,,172162-65671,, "COVER  
COMPL.",1,1,1,1,1,,S,3,72162242,M00534,72162242,M00534,,,,,,  
20,1,,172162-65700,, "SUPPORT B COMPL.",1,1,1,1,1,,,,,,,,,,,,,  
21,1,,172146-65750,, "COVER, LOCK",2,2,2,2,2,,,,,,,,,,,,,  
22,1,,172146-65760,, STOPPER,1,1,1,1,1,,,,,,,,,,,,,  
23,1,,22137-080000,, "WASHER 8, POLISHED",16,16,16,16,16,,,,,,,,,,,,,  
24,1,,22137-080000,, "WASHER 8, POLISHED",4,4,,,,,,,,,,,,,  
24-1,1,,1A1040-43900,, "SPRING WASHER,  
ROD",4,4,4,4,4,,S,,72162242,M00534,72162242,M00534,,,,,,  
25,1,,22137-100000,, "WASHER 10,POLISHED",10,10,10,10,10,,,,,,,,,,,,,  
26,1,,22217-080000,, "SPRING WASHER 8",16,16,16,16,16,,,,,,,,,,,,,  
27,1,,22217-100000,, "SPRING WASHER 10",7,7,7,7,7,,,,,,,,,,,,,  
28,1,,22217-120000,, "SPRING WASHER",6,6,6,6,6,,,,,,,,,,,,,  
29,1,,26013-080202,, "BOLT W/WASHER M8X20",4,4,4,4,4,,,,,,,,,,,,,  
30,1,,26013-100252,, "BOLT W/WASHER M10X25",3,3,3,3,3,,,,,,,,,,,,,  
31,1,,26013-100352,, "BOLT M10X 35",3,3,3,3,3,,,,,,,,,,,,,  
32,1,,26013-120452,, "BOLT M12X 45",2,2,2,2,2,,,,,,,,,,,,,  
33,1,,26116-100202,, "BOLT M10X 20 PLATED",7,7,7,7,7,,,,,,,,,,,,,  
34,1,,26116-120202,, "BOLT M12X 20 PLATED",6,6,6,6,6,,,,,,,,,,,,,  
35,1,,26577-040082,, "SCREW M 4 X 8",6,6,6,6,6,,,,,,,,,,,,,  
36,1,,26716-080002,, "NUT M 8",16,16,16,16,16,,,,,,,,,,,,,  
37,1,,172162-61260,, "COVER,HOSE",1,1,1,1,1,,,,,,,,,,,,,  
38,1,,172162-61300,, "ABSORB.MTL.,CVR.A SD",1,1,1,1,1,,,,,,,,,,,,,  
41,1,,172162-61330,, "SEAL,COVER A",1,1,1,1,1,,,,,,,,,,,,,  
42,1,,172162-61340,, "ABSORB.MTL.,CVR.B SD",1,1,1,1,1,,,,,,,,,,,,,  
45,1,,172162-61380,, "SEAL,COVER B",1,1,1,1,1,,,,,,,,,,,,,  
46,1,,22137-100000,, "WASHER 10,POLISHED",4,4,4,4,4,,,,,,,,,,,,,  
47,1,,22217-100000,, "SPRING WASHER 10",4,4,4,4,4,,,,,,,,,,,,,  
48,1,,22217-100000,, "SPRING WASHER 10",4,4,4,4,4,,,,,,,,,,,,,  
49,1,,22217-100000,, "SPRING WASHER 10",3,3,3,3,3,,,,,,,,,,,,,  
50,1,,26116-100202,, "BOLT M10X 20 PLATED",4,4,4,4,4,,,,,,,,,,,,,  
51,1,,26116-100202,, "BOLT M10X 20 PLATED",4,4,4,4,4,,,,,,,,,,,,,  
52,1,,26116-100202,, "BOLT M10X 20 PLATED",3,3,3,3,3,,,,,,,,,,,,,  
53,1,,172122-55061,, "BRACKET, GREASE PUMP",2,2,2,2,2,,,,,,,,,,,,,  
54,1,,22217-060000,, "SPRING WASHER 6",4,4,4,4,4,,,,,,,,,,,,,  
55,1,,26116-060122,, "BOLT 6X12",4,4,4,4,4,,,,,,,,,,,,,  
56,1,,172162-62800,, "ABSORB.MTL.,PL.SD.",1,1,,,,,,,,,,,,,

56-1,1,,172162-62811,,PLATE,1,1,1,1,1,,S,,72162132,M00504,72162132,M00504,,,,,  
57,1,,22217-080000,, "SPRING WASHER 8",4,4,,,,,,,,,,,,,  
57-1,1,,22217-080000,, "SPRING WASHER  
8",5,5,5,5,5,,K,,72162132,M00504,72162132,M00504,,,,,  
58,1,,26116-080162,, "BOLT 8X16",4,4,,,,,,,,,,,,,  
58-1,1,,26116-080162,, "BOLT  
8X16",5,5,5,5,5,,K,,72162132,M00504,72162132,M00504,,,,,  
59,1,,22137-080000,, "WASHER 8,  
POLISHED",5,5,5,5,5,,W,,72162132,M00504,72162132,M00504,,,,,  
60,1,,22137-100000,, "WASHER 10,POLISHED",3,3,3,3,3,,,,,,,,,,,,,  
61,1,,22137-100000,, "WASHER 10,POLISHED",4,4,4,4,4,,,,,,,,,,,,,  
62,1,,933110-00301,, "KEY ASSY",1,1,1,1,1,,,,,,,,,,,,,  
63,1,,933171-20390,, "LIGHT, EVER",1,1,1,1,1,,1,,,,,,,,,,,,,  
64,1,,172162-62850,,PLATE,1,,,,,,2,,,,,,,,,,,,,I

Fig. 41 ボンネット  
BONNET

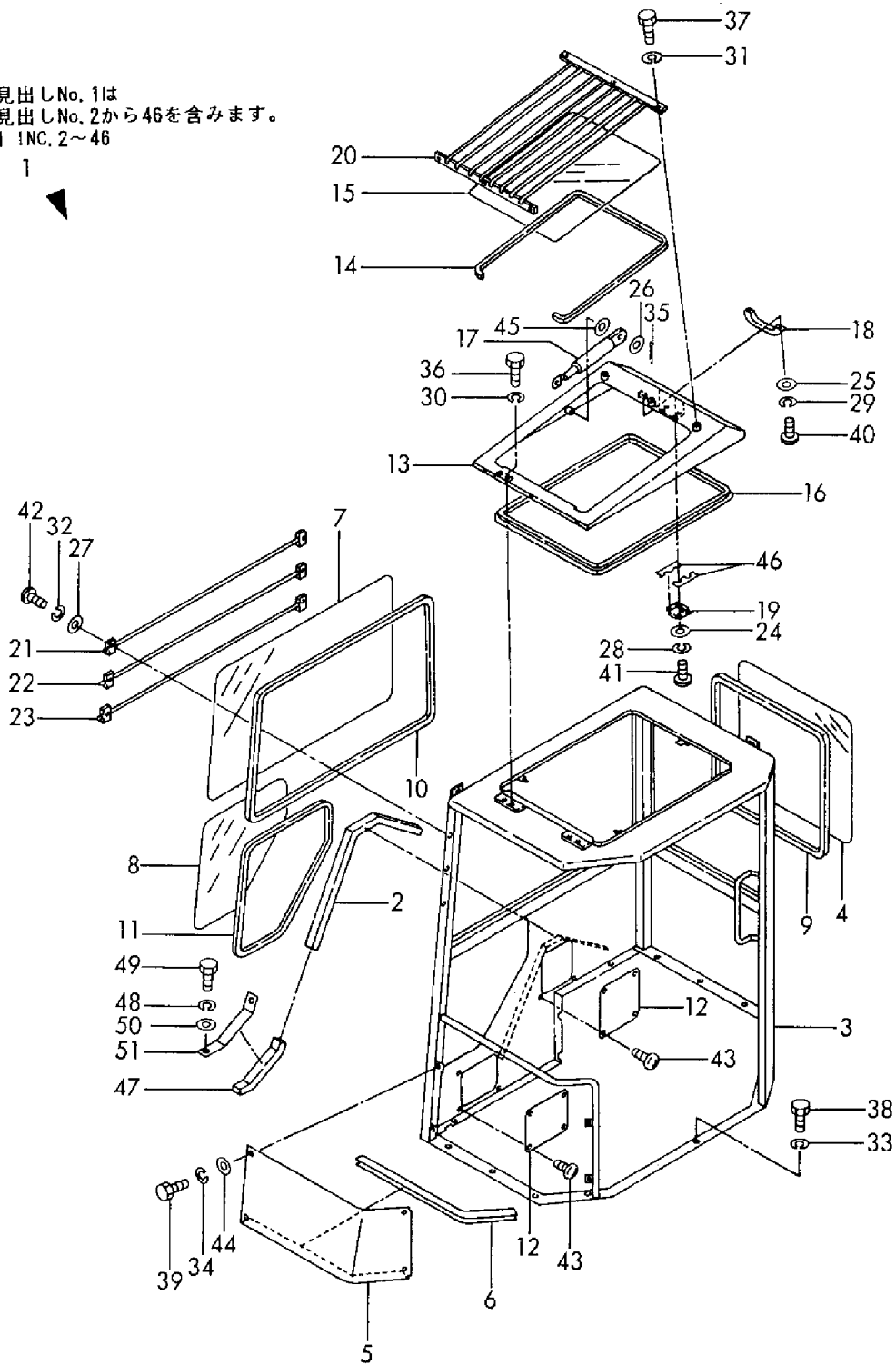


1,1,,772162-68100,, "CANOPY ASSY." ,1,,,,,,,,,,,,,  
1-1,1,,772162-68101,, "CANOPY ASSY." ,1,,,,,S,,,,,72162136,M00504,,,,,,  
2,2,,172162-61720,, "SEAL, GUARD PLATE B" ,1,,,,,,,,,,,,,  
3,2,,172162-68100,, "CANOPY COMPL." ,1,,,,,,,,,,,,,  
3-1,2,,172162-68101,, "CANOPY COMPL." ,1,,,,,S,,,,,72162136,M00504,,,,,,  
4,2,,172162-68280,, "WINDOW, REAR" ,1,,,,,,,,,,,,,  
5,2,,172162-68290,, "COVER, FRONT" ,1,,,,,,,,,,,,,  
6,2,,172162-68330,, "SEAL, FRONT COVER" ,1,,,,,,,,,,,,,  
7,2,,172162-69030,, "WINDOW A" ,1,,,,,,,,,,,,,  
8,2,,172162-69040,, "WINDOW B" ,1,,,,,,,,,,,,,  
9,2,,172162-69100,, "SEAL, REAR" ,1,,,,,,,,,,,,,  
10,2,,172162-69110,, "SEAL, WINDOW A" ,1,,,,,,,,,,,,,  
11,2,,172162-69120,, "SEAL, WINDOW B" ,1,,,,,,,,,,,,,  
12,2,,172162-69130,, PLATE ,2,,,,,,,,,,,,,  
13,2,,172162-69600,, "ROOF COMP. , CAB" ,1,,,,,,,,,,,,,  
13-1,2,,172162-69601,, "ROOF COMP. , CAB" ,1,,,,,N,,,,,72162390,M00708,,,,,,I  
14,2,,172162-69710,, "SEAL, CAB ROOF" ,1,,,,,,,,,,,,,  
15,2,,172162-69720,, "WINDOW, ROOF" ,1,,,,,,,,,,,,,  
16,2,,172162-69730,, "SEAL, ROOF" ,1,,,,,,,,,,,,,  
16-1,2,,172162-69731,, "SEAL, ROOF" ,1,,,,,N,,,,,72162369,M00653,,,,,,I  
17,2,,172162-69740,, "SPRING, GAS" ,2,,,,,,,,,,,,,  
18,2,,172162-69750,, HANDLE ,1,,,,,,,,,,,,,  
19,2,,172162-69760,, "LOCK COMP. , ROOF" ,1,,,,,,,,,,,,,  
20,2,,172162-69800,, "GUARD COMP. , ROOF" ,1,,,,,,,,,,,,,  
21,2,,172162-69830,, "GUARD A COMPL." ,1,,,,,,,,,,,,,  
22,2,,172162-69850,, "GUARD B COMPL." ,1,,,,,,,,,,,,,  
23,2,,172162-69870,, "GUARD C COMPL." ,1,,,,,,,,,,,,,  
24,2,,22137-050000,, "WASHER 5, POLISHED" ,4,,,,,,,,,,,,,  
25,2,,22137-060000,, "WASHER 6, POLISHED" ,2,,,,,,,,,,,,,  
26,2,,22137-080000,, "WASHER 8, POLISHED" ,4,,,,,,,,,,,,,  
27,2,,22137-080000,, "WASHER 8, POLISHED" ,6,,,,,,,,,,,,,  
28,2,,22217-050000,, "SPRING WASHER 5" ,4,,,,,,,,,,,,,  
29,2,,22217-060000,, "SPRING WASHER 6" ,2,,,,,,,,,,,,,  
30,2,,22217-080000,, "SPRING WASHER 8" ,4,,,,,,,,,,,,,  
31,2,,22217-080000,, "SPRING WASHER 8" ,6,,,,,,,,,,,,,  
32,2,,22217-080000,, "SPRING WASHER 8" ,6,,,,,,,,,,,,,  
33,2,,22217-100000,, "SPRING WASHER 10" ,12,,,,,,,,,,,,,  
34,2,,22217-100000,, "SPRING WASHER 10" ,4,,,,,,,,,,,,,  
35,2,,22417-200160,, "COTTER PIN 2.0X16" ,4,,,,,,,,,,,,,  
36,2,,26116-080162,, "BOLT 8X16" ,4,,,,,,,,,,,,,  
37,2,,26116-080162,, "BOLT 8X16" ,6,,,,,,,,,,,,,  
38,2,,26116-100202,, "BOLT M10X 20 PLATED" ,12,,,,,,,,,,,,,  
39,2,,26116-100202,, "BOLT M10X 20 PLATED" ,4,,,,,,,,,,,,,  
40,2,,26557-060122,, "SCREW M 6X 12, PAN HD" ,2,,,,,,,,,,,,,  
41,2,,26559-050162,, SCREW ,4,,,,,,,,,,,,,  
42,2,,26587-080162,, "SCREW M 8X 16" ,6,,,,,,,,,,,,,  
42-1,2,,172137-69850,, SCREW ,6,,,,,N,,,,,72162193,M00502,,,,,,  
43,2,,26589-080122,, "SCREW M8, BINDING" ,8,,,,,,,,,,,,,  
43-1,2,,172162-68370,, BOLT ,8,,,,,N,,,,,72162379,M00678,,,,,,I  
44,2,,22137-100000,, "WASHER 10, POLISHED" ,4,,,,,,,,,,,,,  
45,2,,22190-080000,, "SEAL WASHER 8 (BOLT)" ,4,,,,,W,,,,,72162262,M00653,,,,,,  
46,2,,172162-68380,, SHIM ,2,,,,,W,,,,,72162394,M00747,,,,,,I  
47,1,,172162-61700,, "SEAL, GUARD PLATE A" ,1,,,,,,,,,,,,,  
48,1,,22217-080000,, "SPRING WASHER 8" ,2,,,,,,,,,,,,,  
49,1,,26116-080122,, "BOLT M 8X 12 PLATED" ,2,,,,,,,,,,,,,  
50,1,,22137-080000,, "WASHER 8, POLISHED" ,2,,,,,,,,,,,,,  
51,1,,172162-61690,, "PLATE A, GUARD" ,1,,,,,,,,,,,,,



Fig. 42 キャンピ  
CANOPY

見出しNo. 1は  
見出しNo. 2から46を含みます。  
1 INC. 2~46



1,1,,772162-68400,, "CABIN ASSY.",1,,,,,,,,,,,,,  
1-1,1,,772162-68401,, "CABIN ASSY.",1,1,1,1,1,S,,72162136,M00504,,,,,,,,,  
2,2,,172162-61720,, "SEAL, GUARD PLATE B",1,1,1,1,1,,,,,,,,,,,,,  
3,2,,172162-68400,, "CAB COMPL.",1,,,,,,,,,,,,,  
3-1,2,,172162-68401,, "CAB COMPL.",1,1,1,1,1,S,,72162136,M00504,,,,,,,,,  
4,2,,172162-69050,, "LOCK ASSY",1,1,1,1,1,,,,,,,,,,,,,  
5,2,,172162-69060,, "STRIDER",1,1,1,1,1,,,,,,,,,,,,,  
6,2,,172162-69070,, "COATHANGER",1,1,1,1,1,,,,,,,,,,,,,  
7,2,,172162-69080,, "SEAL, DOOR",1,1,1,1,1,,,,,,,,,,,,,  
8,2,,172162-68380,, "SHIM",2,2,2,2,W,,72162394,M00747,,,,,,,,,I  
9,2,,172162-69130,, "PLATE",2,2,2,2,,,,,,,,,,,,,  
10,2,,172162-69160,, "TRIM, REAR",1,1,1,1,1,,,,,,,,,,,,,  
11,2,,172162-69600,, "ROOF COMP., CAB",1,,,,,,,,,,,,,  
11-1,2,,172162-69601,, "ROOF COMP., CAB",1,1,1,1,1,N,,72162390,M00708,,,,,,,,,I  
12,2,,172162-69710,, "SEAL, CAB ROOF",1,1,1,1,1,,,,,,,,,,,,,  
13,2,,172162-69720,, "WINDOW, ROOF",1,1,1,1,1,,,,,,,,,,,,,  
14,2,,172162-69730,, "SEAL, ROOF",1,,,,,,,,,,,,,  
14-1,2,,172162-69731,, "SEAL, ROOF",1,1,1,1,1,N,,72162369,M00653,,,,,,,,,I  
15,2,,172162-69740,, "SPRING, GAS",2,2,2,2,,,,,,,,,,,,,  
16,2,,172162-69750,, "HANDLE",1,1,1,1,1,,,,,,,,,,,,,  
17,2,,172162-69760,, "LOCK COMP., ROOF",1,1,1,1,1,,,,,,,,,,,,,  
18,2,,172162-69800,, "GUARD COMP., ROOF",1,1,1,1,1,,,,,,,,,,,,,  
19,2,,172137-69850,, "SCREW",4,4,4,4,W,,72162193,M00502,,,,,,,,,  
20,2,,22137-050000,, "WASHER 5, POLISHED",4,4,4,4,,,,,,,,,,,,,  
21,2,,22137-060000,, "WASHER 6, POLISHED",2,2,2,2,,,,,,,,,,,,,  
22,2,,22137-080000,, "WASHER 8, POLISHED",4,4,4,4,,,,,,,,,,,,,  
23,2,,22137-080000,, "WASHER 8, POLISHED",4,4,4,4,,,,,,,,,,,,,  
24,2,,22217-050000,, "SPRING WASHER 5",4,4,4,4,,,,,,,,,,,,,  
25,2,,22217-060000,, "SPRING WASHER 6",2,2,2,2,,,,,,,,,,,,,  
26,2,,22217-080000,, "SPRING WASHER 8",4,4,4,4,,,,,,,,,,,,,  
27,2,,22217-080000,, "SPRING WASHER 8",6,6,6,6,,,,,,,,,,,,,  
28,2,,22217-100000,, "SPRING WASHER 10",11,11,11,11,,,,,,,,,,,,,  
29,2,,22417-200160,, "COTTER PIN 2.0X16",4,4,4,4,,,,,,,,,,,,,  
30,2,,22867-300080,, "SCREW 3X 8",2,2,2,2,,,,,,,,,,,,,  
31,2,,26013-080252,, "BOLT M 8X 25",4,4,4,4,,,,,,,,,,,,,  
32,2,,26116-080122,, "BOLT M 8X 12 PLATED",8,,,,,,,,,,,,,  
32-1,2,,26589-080122,, "SCREW M8, BINDING",8,,,,,N,,72162103,M00772,,,,,,,,,I  
32-2,2,,172162-68370,, "BOLT",8,8,8,8,N,,72162379,M00678,,,,,,,,,I  
33,2,,26116-080162,, "BOLT 8X16",4,4,4,4,,,,,,,,,,,,,  
34,2,,26116-080162,, "BOLT 8X16",6,6,6,6,,,,,,,,,,,,,  
35,2,,26116-100202,, "BOLT M10X 20 PLATED",11,11,11,11,,,,,,,,,,,,,  
36,2,,26557-060122,, "SCREW M 6X 12, PAN HD",2,2,2,2,,,,,,,,,,,,,  
37,2,,26559-050162,, "SCREW",4,4,4,4,,,,,,,,,,,,,  
38,2,,26577-080202,, "SCREW M 8X 20",2,2,2,2,,,,,,,,,,,,,  
39,2,,194150-24270,, "SCREW CAP 13",2,2,2,2,,,,,,,,,,,,,  
40,2,,22190-080000,, "SEAL WASHER 8(BOLT)",1,1,1,1,1,W,,72162262,M00506,,,,,,,,,  
41,2,,172162-14210,, "SEAL A, FUEL TANK",1,1,1,1,1,W,,72162433,M00921,,,,,,,,,I  
42,2,,172162-69770,, "CAP",1,1,1,1,1,W,,72162275,M00550,,,,,,,,,I  
43,2,,172162-69170,, "SEAL, CABIN",2,2,2,2,W,,72162369,M00653,,,,,,,,,I  
44,2,,172162-69180,, "SEAL, CABIN",2,2,2,2,W,,72162369,M00653,,,,,,,,,I  
45,1,,172162-61690,, "PLATE A, GUARD",1,1,1,1,1,,,,,,,,,,,,,  
46,1,,172162-61700,, "SEAL, GUARD PLATE A",1,1,1,1,1,,,,,,,,,,,,,  
47,1,,22217-080000,, "SPRING WASHER 8",2,2,2,2,,,,,,,,,,,,,  
48,1,,26116-080122,, "BOLT M 8X 12 PLATED",2,2,2,2,,,,,,,,,,,,,  
49,1,,22137-080000,, "WASHER 8, POLISHED",2,2,2,2,,,,,,,,,,,,,

Fig. 43 キャビン(本体)(標準仕様)  
CABIN(BODY)(STANDARD SPEC.)

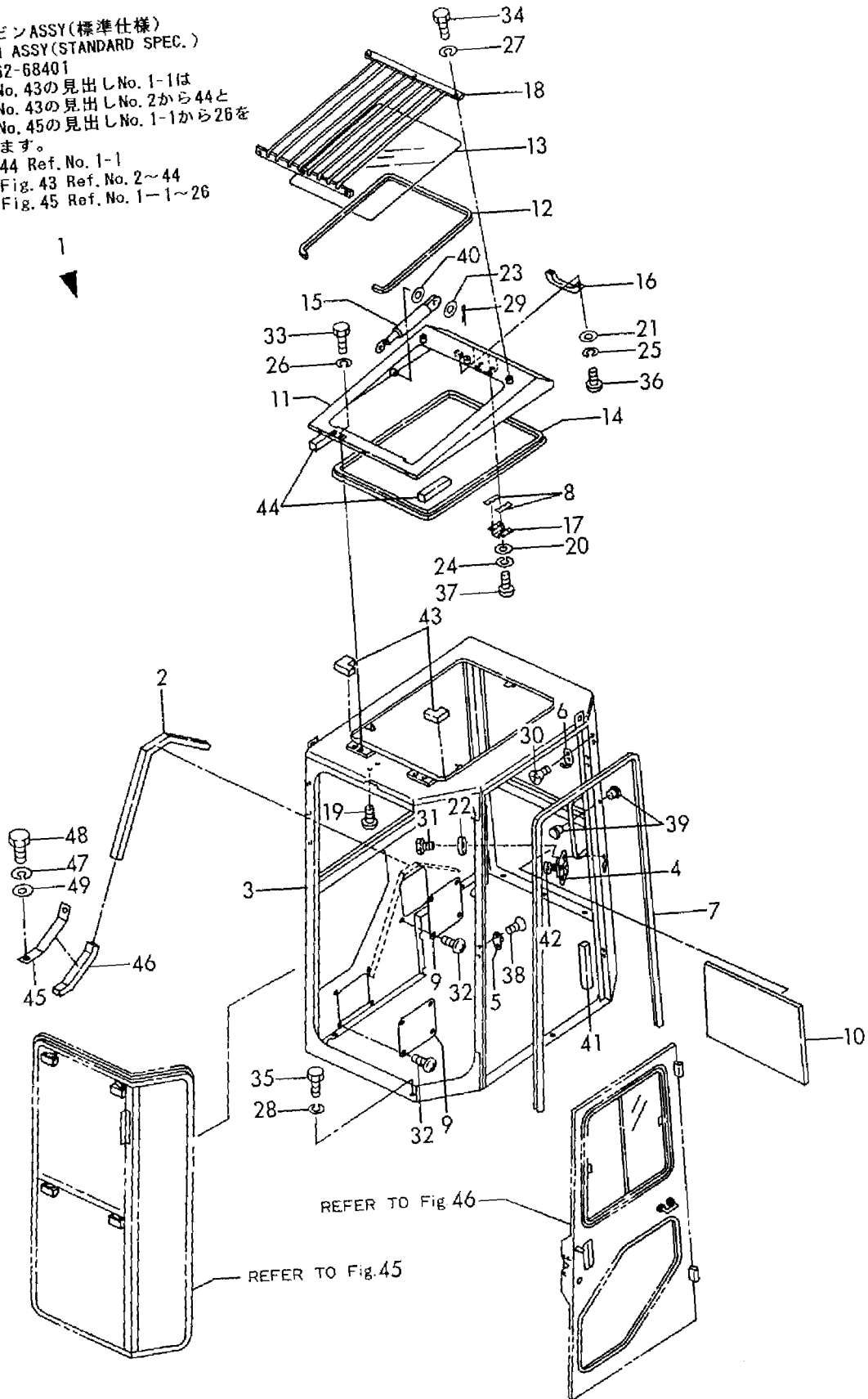
キャビンASSY(標準仕様)  
CABIN ASSY(STANDARD SPEC.)

772162-68401  
項目No. 43の見出しNo. 1-1は  
項目No. 43の見出しNo. 2から44と  
項目No. 45の見出しNo. 1-1から26を  
含みます。

Fig. 44 Ref. No. 1-1

INC Fig. 43 Ref. No. 2~44

Fig. 45 Ref. No. 1-1~26

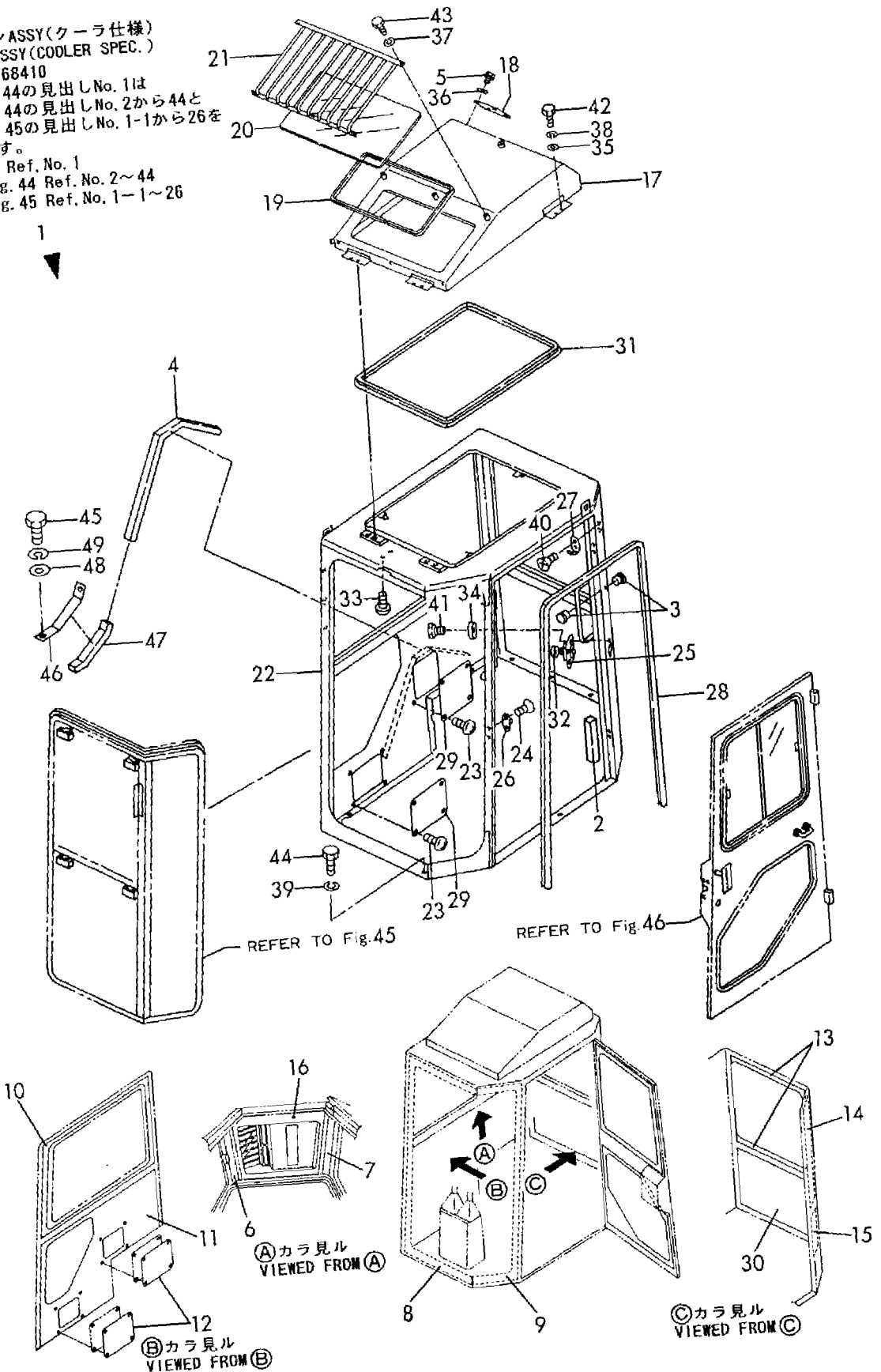


1,1,,772162-68410,,CABIN,1,,,,,,,,,,,,,  
2,2,,172162-14210,, "SEAL A,FUEL TANK",1,,,,,,,,,,,,,  
3,2,,194150-24270,, "SCREW CAP 13",2,,,,,,,,,,,,,  
4,2,,172162-61720,, "SEAL,GUARD PLATE B",1,,,,,,,,,,,,,  
5,2,,172519-63240,, "BOLT 8X 16",4,,,,,,,,,,,,,  
6,2,,172162-67100,, "TRIM,ROOF A",1,,,,,,,,,,,,,  
7,2,,172162-67130,, "TRIM,ROOF D",1,,,,,,,,,,,,,  
8,2,,172162-67140,, "TRIM,FROMT A",1,,,,,,,,,,,,,  
9,2,,172162-67150,, "TRIM,FROMT B",1,,,,,,,,,,,,,  
10,2,,172162-67160,, "TRIM A,SIDE",1,,,,,,,,,,,,,  
11,2,,172162-67170,, "TRIM B,SIDE",1,,,,,,,,,,,,,  
12,2,,172162-67180,, "TRIM,SIDE C",1,,,,,,,,,,,,,  
13,2,,172162-67190,, "TRIM,REAR A",1,,,,,,,,,,,,,  
14,2,,172162-67200,, "TRIM,REAR C",1,,,,,,,,,,,,,  
15,2,,172162-67210,, "TRIM,REAR D",1,,,,,,,,,,,,,  
16,2,,172162-67250,, "TRIM,ROOF",1,,,,,,,,,,,,,  
17,2,,172162-67400,, "ROOF,CABIN",1,,,,,,,,,,,,,  
18,2,,172162-67580,,COVER,1,,,,,,,,,,,,,  
19,2,,172162-67590,,SEAL,1,,,,,,,,,,,,,  
20,2,,172162-67600,, "WINDOW,ROOF",1,,,,,,,,,,,,,  
21,2,,172162-67610,, "GUARD COMP.,ROOF",1,,,,,,,,,,,,,  
22,2,,172162-68030,,CABIN,1,,,,,,,,,,,,,  
23,2,,172162-68370,,BOLT,8,,,,,,,,,,,,,  
24,2,,26577-080202,, "SCREW M 8X 20",2,,,,,,,,,,,,,  
25,2,,172162-69050,, "LOCK ASSY",1,,,,,,,,,,,,,  
26,2,,172162-69060,,STRIDER,1,,,,,,,,,,,,,  
27,2,,172162-69070,,COATHANGER,1,,,,,,,,,,,,,  
28,2,,172162-69080,, "SEAL,DOOR",1,,,,,,,,,,,,,  
29,2,,172162-69130,,PLATE,2,,,,,,,,,,,,,  
30,2,,172162-69161,, "TRIM REAR B",1,,,,,,,,,,,,,  
31,2,,172162-69731,, "SEAL,ROOF",1,,,,,,,,,,,,,  
32,2,,172162-69770,,CAP,1,,,,,,,,,,,,,  
33,2,,172137-69850,,SCREW,4,,,,,,,,,,,,,  
34,2,,22137-080000,, "WASHER 8, POLISHED",4,,,,,,,,,,,,,  
35,2,,22137-080000,, "WASHER 8, POLISHED",8,,,,,,,,,,,,,  
36,2,,22190-080000,, "SEAL WASHER 8(BOLT)",4,,,,,,,,,,,,,  
37,2,,22217-080000,, "SPRING WASHER 8",6,,,,,,,,,,,,,  
38,2,,22217-080000,, "SPRING WASHER 8",8,,,,,,,,,,,,,  
39,2,,22217-100000,, "SPRING WASHER 10",11,,,,,,,,,,,,,  
40,2,,22867-300080,, "SCREW 3X 8",2,,,,,,,,,,,,,  
41,2,,26013-080252,, "BOLT M 8X 25",4,,,,,,,,,,,,,  
42,2,,26116-080162,, "BOLT 8X16",8,,,,,,,,,,,,,  
43,2,,26116-080202,, "BOLT M 8X 20 PLATED",6,,,,,,,,,,,,,  
44,2,,26116-100202,, "BOLT M10X 20 PLATED",11,,,,,,,,,,,,,  
45,1,,26116-080122,, "BOLT M 8X 12 PLATED",2,,,,,,,,,,,,,  
46,1,,172162-61690,, "PLATE A,GUARD",1,,,,,,,,,,,,,  
47,1,,172162-61700,, "SEAL,GUARD PLATE A",1,,,,,,,,,,,,,  
48,1,,22137-080000,, "WASHER 8, POLISHED",2,,,,,,,,,,,,,  
49,1,,22217-080000,, "SPRING WASHER 8",2,,,,,,,,,,,,,

Fig. 44 キャビン(本体)(クーラ仕様)  
CABIN(BODY)(COOLER SPEC.)

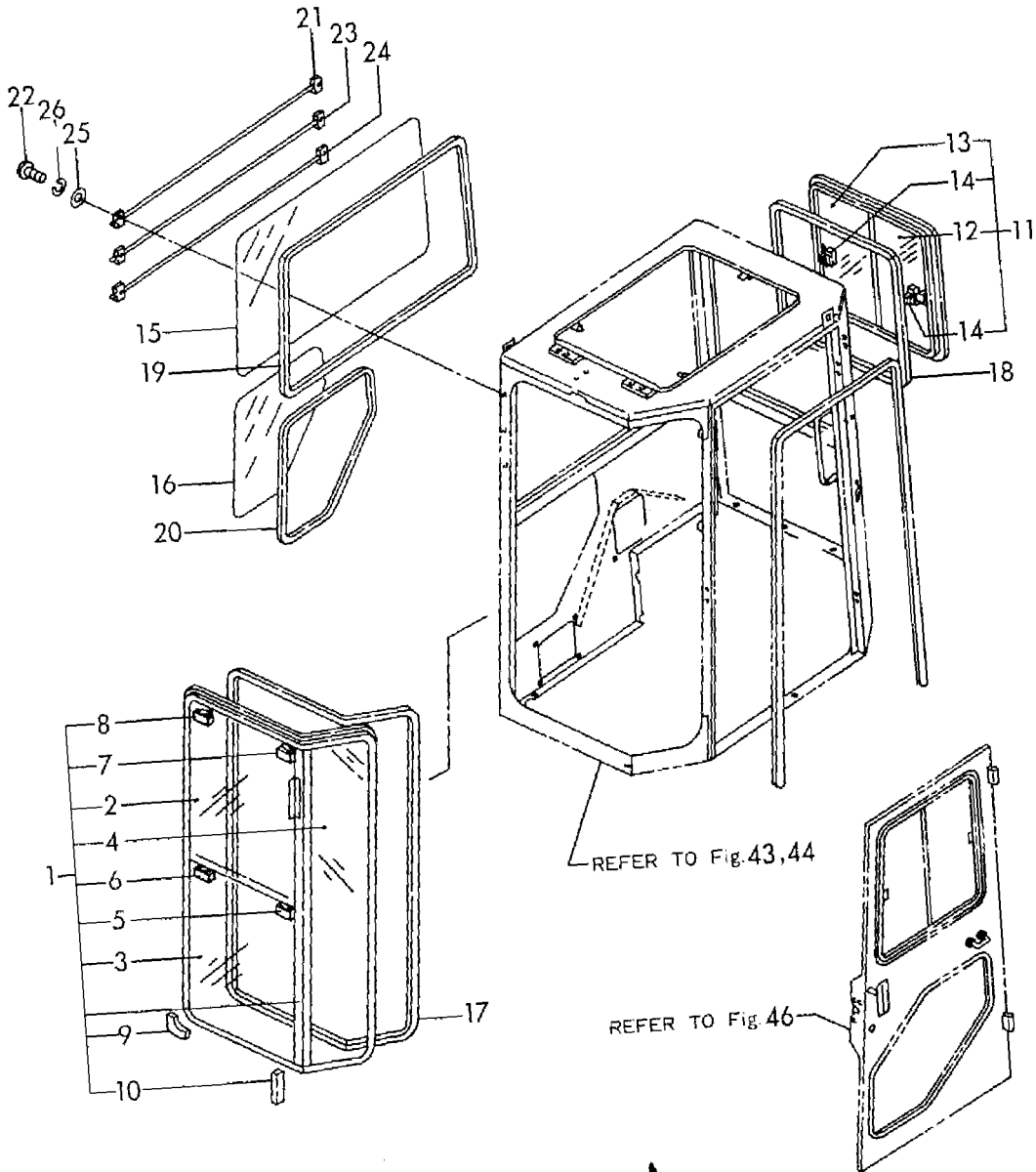
キャビンASSY(クーラ仕様)  
CABIN ASSY(COOLER SPEC.)  
772162-68410

項目No. 44の見出しNo. 1は  
項目No. 44の見出しNo. 2から44と  
項目No. 45の見出しNo. 1-1から26を  
含みます。  
Fig. 44 Ref. No. 1  
INC Fig. 44 Ref. No. 2~44  
Fig. 45 Ref. No. 1-1~26



1,2,,172162-69010,, "WINDOW CMP,FRNT.SASH",1,,,,,,,,,,,,,  
1-1,2,,172162-69011,, "WINDOW  
CMP,FRNT.SASH",1,,1,1,1,,N,,72162446,M00945,,,,,,,,,,,,,I  
2,3,,172162-69900,,GLASS,1,,,,,,,,,,,,,  
2-1,3,,172162-69901,,GLASS,1,,1,1,1,,S,,72162446,M00945,,,,,,,,,,,,,I  
3,3,,172162-69910,,GLASS,1,,,,,,,,,,,,,  
3-1,3,,172162-69911,,GLASS,1,,1,1,1,,S,,72162446,M00945,,,,,,,,,,,,,I  
4,3,,172162-69920,,GLASS,1,,1,1,1,,,,,,,,,,,,,  
5,3,,172162-69930,, "LOCK L COMPL.",2,,,,,,,,,,,,,  
5-1,3,,172162-69930,, "LOCK L COMPL.",1,,1,1,1,,K,,72162427,"FROM  
1ST",,,,,,,,,,,,,I  
6,3,,172162-69940,, "LOCK R COMPL.",2,,,,,,,,,,,,,  
6-1,3,,172162-69940,, "LOCK R COMPL.",1,,1,1,1,,K,,72162427,"FROM  
1ST",,,,,,,,,,,,,I  
7,3,,172162-68050,, "LOCK(L), UPPER",1,,1,1,1,,W,,72162427,"FROM 1ST",,,,,,,,,,,,,I  
8,3,,172162-68060,, "LOCK(R), UPPER",1,,1,1,1,,W,,72162427,"FROM 1ST",,,,,,,,,,,,,I  
9,3,,172162-68070,,STOPPER,1,,1,1,1,,W,,72162427,"FROM 1ST",,,,,,,,,,,,,I  
10,3,,172162-68080,,STOPPER,1,,1,1,1,,W,,72162427,"FROM 1ST",,,,,,,,,,,,,I  
11,2,,172162-69020,, "WINDOW CMP,REAR SASH",1,,1,1,1,,,,,,,,,,,,,  
12,3,,172162-69950,,GLASS,1,,1,1,1,,,,,,,,,,,,,  
13,3,,172162-69960,,GLASS,1,,1,1,1,,,,,,,,,,,,,  
14,3,,172162-69970,, "LOCK ASSY",2,,2,2,2,,,,,,,,,,,,,  
15,2,,172162-69030,, "WINDOW A",1,,1,1,1,,,,,,,,,,,,,  
16,2,,172162-69040,, "WINDOW B",1,,1,1,1,,,,,,,,,,,,,  
17,2,,172162-69090,, "SEAL,FRONT",1,,1,1,1,,,,,,,,,,,,,  
18,2,,172162-69100,, "SEAL,REAR",1,,1,1,1,,,,,,,,,,,,,  
19,2,,172162-69110,, "SEAL,WINDOW A",1,,1,1,1,,,,,,,,,,,,,  
20,2,,172162-69120,, "SEAL,WINDOW B",1,,1,1,1,,,,,,,,,,,,,  
21,2,,172162-69830,, "GUARD A COMPL.",1,,1,1,1,,,,,,,,,,,,,  
22,2,,26587-080162,, "SCREW M 8X 16",6,,6,6,6,,,,,,,,,,,,,  
22-1,2,,172137-69850,,SCREW,6,,6,6,6,,N,,72162193,M00502,,,,,,,,,,,,,  
23,2,,172162-69850,, "GUARD B COMPL.",1,,1,1,1,,,,,,,,,,,,,  
24,2,,172162-69870,, "GUARD C COMPL.",1,,1,1,1,,,,,,,,,,,,,  
25,2,,22137-080000,, "WASHER 8, POLISHED",6,,6,6,6,,,,,,,,,,,,,  
26,2,,22217-080000,, "SPRING WASHER 8",6,,6,6,6,,,,,,,,,,,,,

Fig. 45 キャビン(サッシ & ガラス)  
CABIN(SASH & GLASS)



キャビンASSY(標準仕様)  
 CABIN ASSY(STANDARD SPEC.)  
 772162-68401  
 項目No. 43の見出しNo. 1-1は  
 項目No. 43の見出しNo. 2から44と  
 項目No. 45の見出しNo. 1-1から26を  
 含みます。  
 Fig. 44 Ref. No. 1-1  
 INC Fig. 43 Ref. No. 2~44  
 Fig. 45 Ref. No. 1-1~26

キャビンASSY(クーラ仕様)  
 CABIN ASSY(COOLER SPEC.)  
 772162-68410  
 項目No. 44の見出しNo. 1は  
 項目No. 44の見出しNo. 2から44と  
 項目No. 45の見出しNo. 1-1から26を  
 含みます。  
 Fig. 44 Ref. No. 1  
 INC Fig. 44 Ref. No. 2~44  
 Fig. 45 Ref. No. 1-1~26

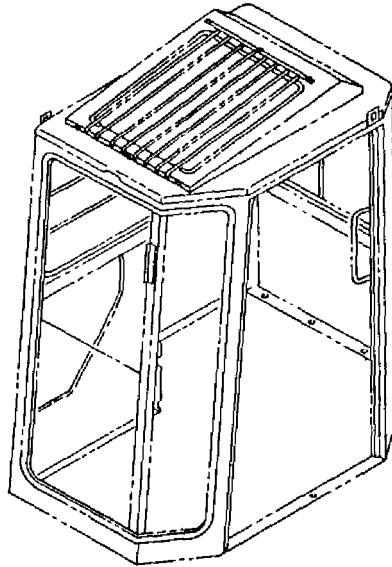
1A,1,,772162-69200,, "SIDE DOOR ASSY.",1,,1,1,1,,,,,,,,,,,,,  
1B,1,,772162-69210,, "DOOR, SIDE",1,,,,,W,1,72162439,M00921,,,,,,,,,,,,,I  
2,2,,172146-41320,, GROMMET,1,,1,1,1,,,,,,,,,,,,,  
3,2,,172162-69200,, "DOOR COMP.,SIDE",1,,1,1,1,,,,,,,,,,,,,  
4,3,,172162-69420,, HINGE,2,,2,2,2,,,,,,,,,,,,,  
5,2,,172162-69430,, PLATE,1,,1,1,1,,,,,,,,,,,,,  
6,2,,172162-69440,, "GLASS,SIDE DOOR",1,,1,1,1,,,,,,,,,,,,,  
7,2,,26716-080002,, "NUT M 8",1,,1,1,1,,,,,,,,,,,,,  
8,2,,172162-69460,, "KEY ASSY, CYLINDER",1,,1,1,1,,,,,,,,,,,,,  
9,2,,172162-69480,, "LOCK ASSY",1,,1,1,1,,,,,,,,,,,,,  
10,2,,172162-69490,, PIN,1,,1,1,1,,,,,,,,,,,,,  
11,2,,172162-69500,, SPRING,1,,1,1,1,,,,,,,,,,,,,  
12,2,,172162-69510,, "HANDLE ASSY",1,,1,1,1,,,,,,,,,,,,,  
13,2,,172162-69520,, COVER,1,,1,1,1,,,,,,,,,,,,,  
14,2,,172162-69530,, "ROD ASSY",1,,1,1,1,,,,,,,,,,,,,  
15,2,,172162-69540,, "HANDLE,OUTER",1,,1,1,1,,,,,,,,,,,,,  
16,2,,172162-69550,, HOOK,1,,1,1,1,,,,,,,,,,,,,  
17,2,,172162-69560,, "SEAL,DOOR",1,,1,1,1,,,,,,,,,,,,,  
18,2,,172162-69570,, "SEAL,SIDE",1,,1,1,1,,,,,,,,,,,,,  
19,2,,172162-69580,, "RUBBER,STOPPER",1,,1,1,1,,,,,,,,,,,,,  
20,2,,172162-69750,, HANDLE,1,,1,1,1,,,,,,,,,,,,,  
21,2,,22137-060000,, "WASHER 6, POLISHED",2,,2,2,2,,,,,,,,,,,,,  
22,2,,22137-080000,, "WASHER 8, POLISHED",1,,1,1,1,,,,,,,,,,,,,  
23,2,,22137-100000,, "WASHER 10,POLISHED",4,,4,4,4,,,,,,,,,,,,,  
24,2,,22217-060000,, "SPRING WASHER 6",3,,3,3,3,,,,,,,,,,,,,  
25,2,,22217-060000,, "SPRING WASHER 6",3,,3,3,3,,,,,,,,,,,,,  
26,2,,22217-060000,, "SPRING WASHER 6",2,,2,2,2,,,,,,,,,,,,,  
27,2,,22217-060000,, "SPRING WASHER 6",2,,2,2,2,,,,,,,,,,,,,  
28,2,,22217-080000,, "SPRING WASHER 8",1,,1,1,1,,,,,,,,,,,,,  
29,2,,26013-100252,, "BOLT W/WASHER M10X25",4,,4,4,4,,,,,,,,,,,,,  
30,2,,26557-060102,, "SCREW 6X10",2,,2,2,2,,,,,,,,,,,,,  
31,2,,26557-060122,, "SCREW M 6X 12,PAN HD",2,,2,2,2,,,,,,,,,,,,,  
32,2,,26557-060162,, "SCREW M 6X 16",3,,3,3,3,,,,,,,,,,,,,  
33,2,,26557-060162,, "SCREW M 6X 16",3,,3,3,3,,,,,,,,,,,,,  
34,2,,26559-050162,, SCREW,6,,6,6,6,,,,,,,,,,,,,  
35,2,,172162-69450,, "WINDOW CMP,DOOR SASH",1,,1,1,1,,,,,,,,,,,,,  
36,3,,172162-69970,, "LOCK ASSY",2,,2,2,2,,,,,,,,,,,,,  
37,3,,172162-69980,, GLASS,1,,1,1,1,,,,,,,,,,,,,  
38,3,,172162-69990,, GLASS,1,,1,1,1,,,,,,,,,,,,,  
39,2,,22217-100000,, "SPRING WASHER 10",2,,2,2,2,,,,,,,,,,,,,  
40,2,,26716-100002,, "NUT 10",4,,4,4,4,,,,,,,,,,,,,  
41,2,,172162-67230,, "TRIM,DOOR A",1,,,,,W,1,72162439,M00921,,,,,,,,,,,,,I  
42,2,,172162-67240,, "TRIM,DOOR B",1,,,,,W,1,72162439,M00921,,,,,,,,,,,,,I  
43,1,,933110-00301,, "KEY ASSY",1,,1,1,1,,,,,,,,,,,,,



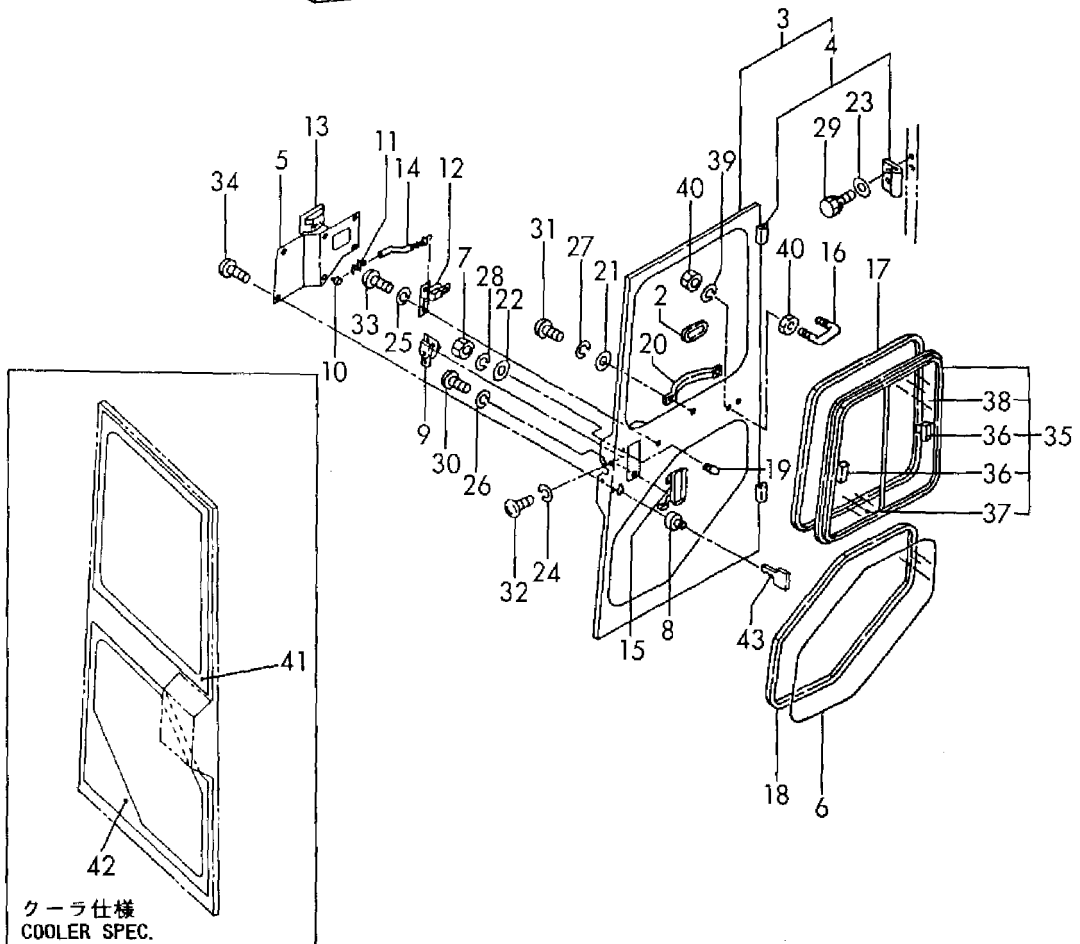
Fig. 46 キャビンドア  
CABIN DOOR

サイドドアASSY(標準仕様)  
SIDE DOOR ASSY(STANDARD SPEC.)  
772162-69200  
見出しNo. 1Aは  
見出しNo. 2から40を含みます。  
1A INC. 2~40

サイドドアASSY(クーラ仕様)  
SIDE DOOR ASSY(COOLER SPEC.)  
772162-69210  
見出しNo. 1Bは  
見出しNo. 2から42を含みます。  
1B INC. 2~42



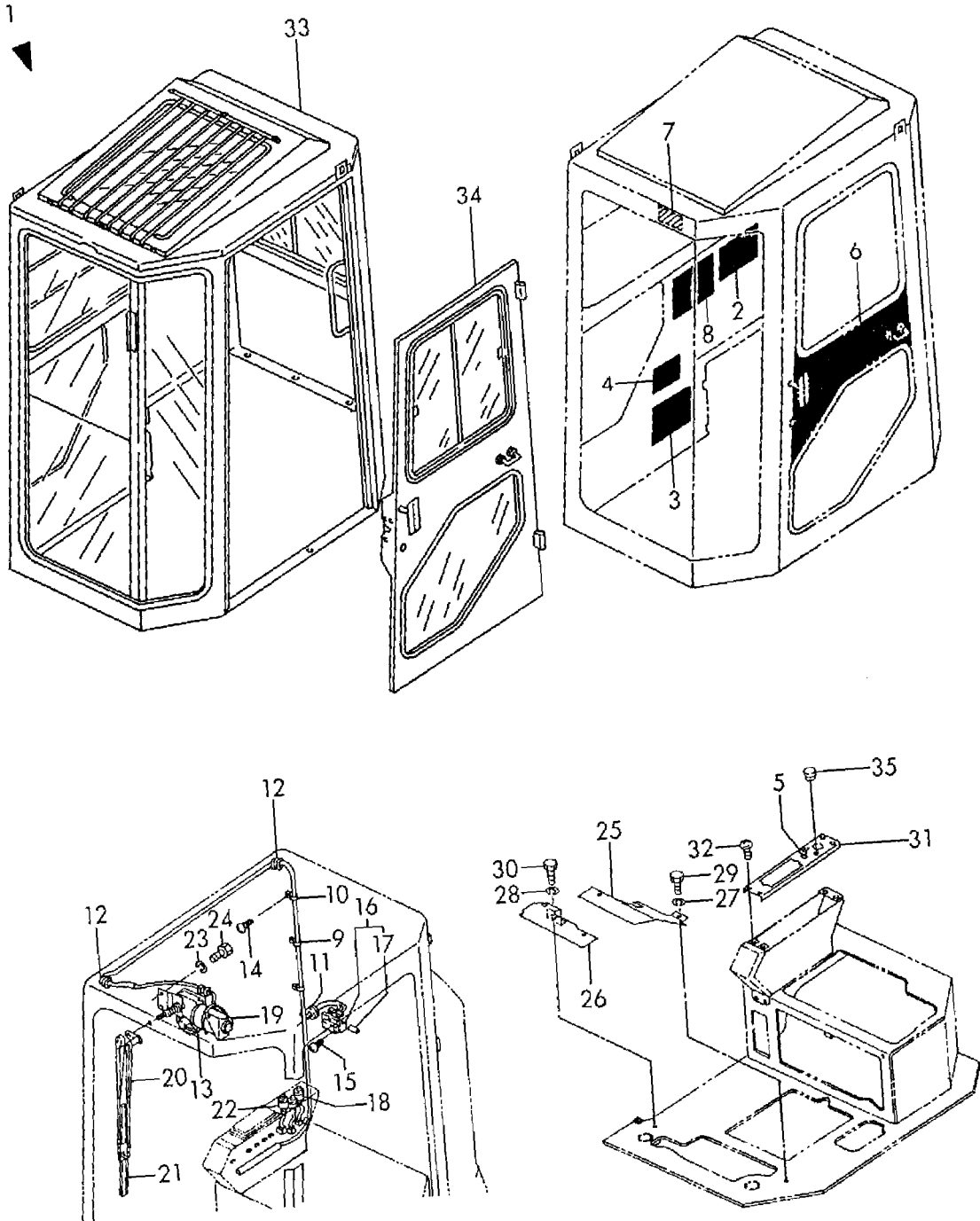
REFER TO Fig. 43, 44



1,1,,772162-68000,, "REFITTED CABIN ASSY.",1,,,,,,,,,,,,,  
1-1,1,,772162-68001,, "REFITTED CABIN ASSY.",1,,,,,S,,72162136,M00504,,,,,,,,,  
2,2,,172162-03110,, "LABEL,SMALL",1,,,,,,,,,,,,,  
3,2,,172162-03120,, "LABEL,FEED WATER",1,,,,,,,,,,,,,  
4,2,,172162-03130,, "LABEL,GREASE FEED",1,,,,,,,,,,,,,  
5,2,,172162-03190,, "LABEL,WIPER SWITCH",1,,,,,,,,,,,,,  
6,2,,172162-03220,, "LABEL,CAB",1,,,,,,,,,,,,,  
7,2,,172162-03240,, "LABEL,WIPER",1,,,,,,,,,,,,,  
8,2,,172162-03250,, "LABEL,PATTERN A",1,,,,,,,,,,,,,  
9,2,,172162-16560,, "HARNESS G,WIRE",1,,,,,,,,,,,,,  
10,2,,172122-16590,, "BAND 200F",3,,,,,,,,,,,,,  
11,2,,172137-62970,, "GROMMET 16",1,,,,,,,,,,,,,  
12,2,,172137-66230,, GROMMET,3,,,,,,,,,,,,,  
13,2,,172122-79890,, "CLAMP 350",1,,,,,,,,,,,,,  
14,2,,22857-400120,, "SCREW 4X12",3,,,,,,,,,,,,,  
15,2,,22857-400100,, "SCREW 4X10",2,,,,,,,,,,,,,  
16,2,,933113-05150,, "LAMP, ROOM",1,,,,,,,,,,,,,  
17,3,,933113-05160,, "BULB (12V5W)",1,,,,,,,,,,,,,  
18,2,,933113-15000,, "CIGAR LIGHTER ASSY",1,,,,,,,,,,,,,  
19,2,,172162-17300,, "MOTOR 520A,WIPER",1,,,,,,,,,,,,,  
20,2,,172162-17310,, "ARM 450,WIPER",1,,,,,,,,,,,,,  
21,2,,172162-17320,, "BLADE 400,WIPER",1,,,,,,,,,,,,,  
22,2,,172162-17330,, "SWITCH,WIPER",1,,,,,,,,,,,,,  
23,2,,22217-060000,, "SPRING WASHER 6",3,,,,,,,,,,,,,  
24,2,,26116-060122,, "BOLT 6X12",3,,,,,,,,,,,,,  
25,2,,172162-62410,, "STEP L",1,,,,,,,,,,,,,  
26,2,,172162-62440,, "STEP R",1,,,,,,,,,,,,,  
27,2,,22217-080000,, "SPRING WASHER 8",2,,,,,,,,,,,,,  
28,2,,22217-080000,, "SPRING WASHER 8",2,,,,,,,,,,,,,  
29,2,,26116-080162,, "BOLT 8X16",2,,,,,,,,,,,,,  
30,2,,26116-080162,, "BOLT 8X16",2,,,,,,,,,,,,,  
31,2,,172162-63310,, "COVER COMPL.",1,,,,,,,,,,,,,  
32,2,,26589-060162,, "SCREW M6,BINDING",4,,,,,,,,,,,,,  
33,2,,772162-68400,, "CABIN ASSY.",1,,,,,1,,,,,,,,,  
33-1,2,,772162-68401,, "CABIN ASSY.",1,,,,,S,1,72162136,M00504,,,,,,,,,  
34,2,,772162-69200,, "SIDE DOOR ASSY.",1,,,,,2,,,,,,,,,  
35,2,,172111-16890,, "GROMMET 9",1,,,,,,,,,,,,,

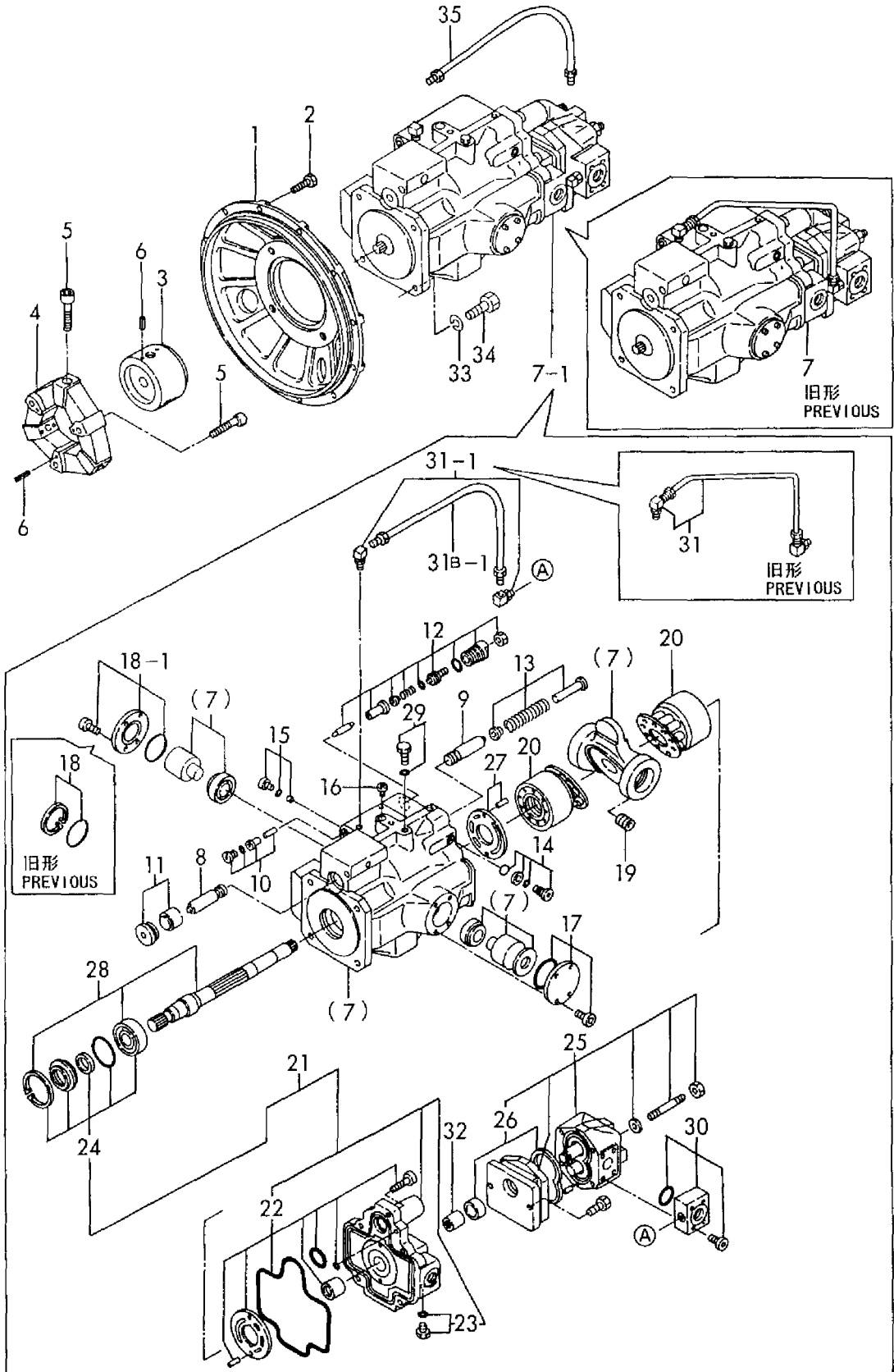
# Fig. 47 キャビン改装 CABIN REMODELING

見出しNo. 1-1は  
見出しNo. 2から35を含みます。  
1-1 INC. 2~35



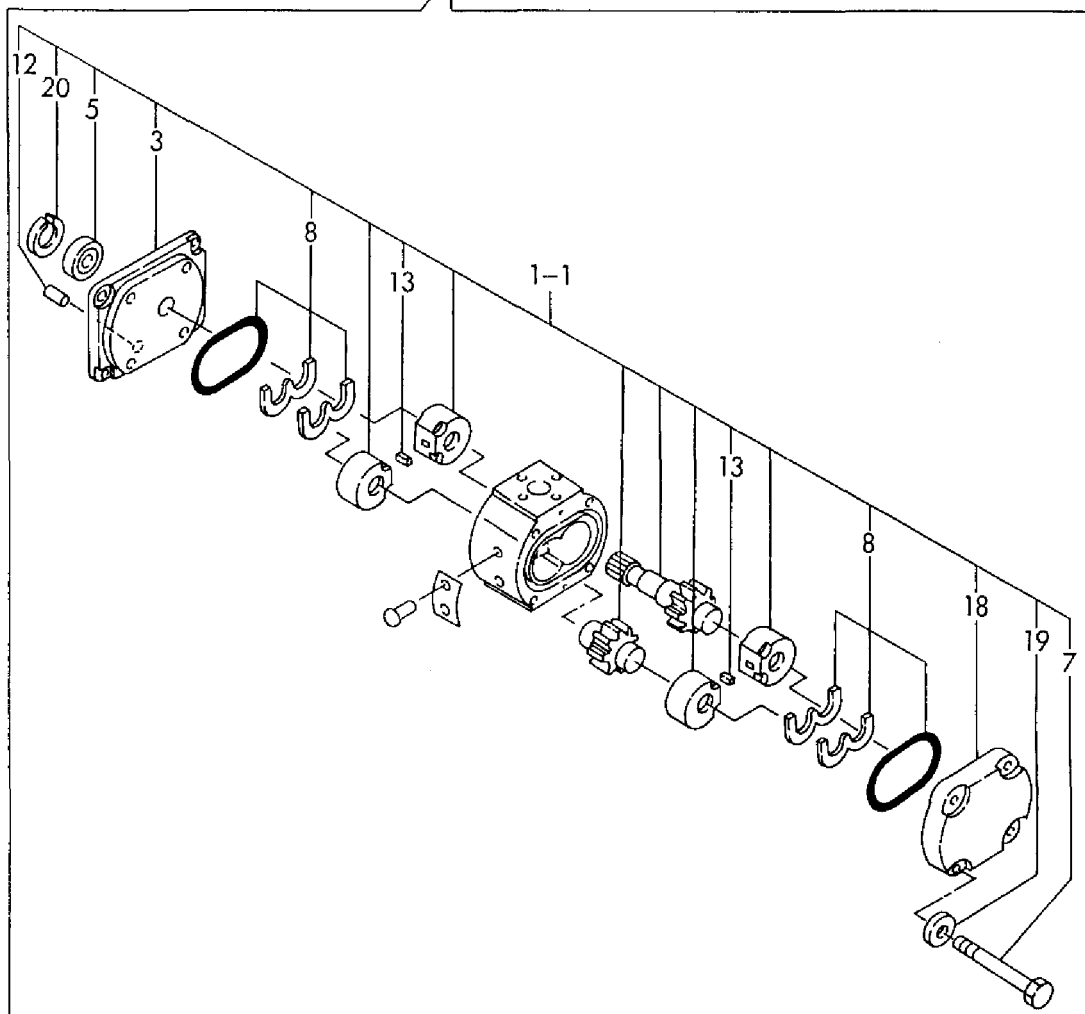
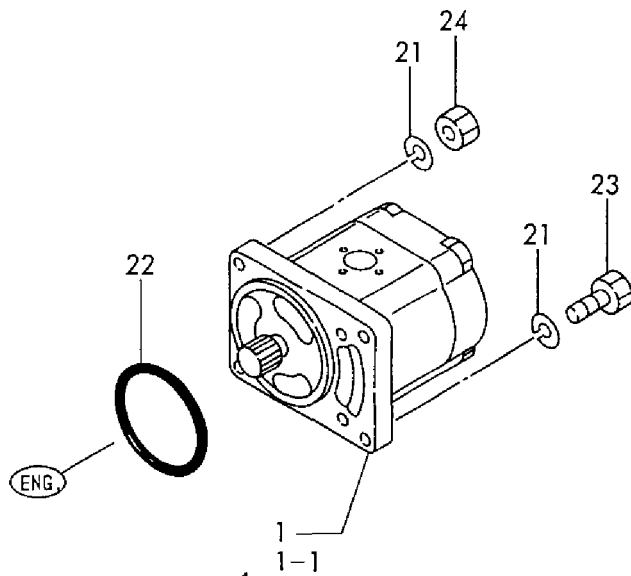
1,1,,172162-71100,, "COVER, FLYWHEEL", 1,1,1,1,1,,,,,,,,,,,,,  
2,1,,26013-100302,, "BOLT M10X 30", 12,12,12,12,12,,,,,,,,,,,,,  
3,1,,172162-71200,, "COUPLING, PUMP", 1,1,1,1,1,,,,,,,,,,,,,  
4,1,,172162-71210,, "COUPLING CF-30", 1,1,1,1,1,,,,,,,,,,,,,  
5,1,,172162-71220,, "BOLT M16X55, HEX. SCKT", 6,6,6,6,6,,,,,,,,,,,,,  
6,1,,22351-050010,, "SPRING PIN 5X10", 9,9,9,9,9,,,,,,,,,,,,,  
7,1,,172162-73100,, "PUMP COMP., PISTON", 1,1,,,,,,,,,,,,,  
7-1,1,,172162-73101,, "PUMP, HYD.  
OIL", 1,1,1,1,1,, F, 2, 72162424, M00822, 72162424, M00822,,,,,,,,, I  
8,3,,172162-73160,, "PISTON A, CONTROL", 1,1,1,1,1,,,,,,,,,,,,,  
9,3,,172162-73170,, "PISTON B, CONTROL", 1,1,1,1,1,,,,,,,,,,,,,  
10,3,,172162-73180,, "PISTON COMP., SHAFT", 1,1,1,1,1,,,,,,,,,,,,,  
11,3,,172162-73220,, "PISTON CMP, SWITCHING", 1,1,1,1,1,,,,,,,,,,,,,  
12,3,,172162-73250,, "PISTON COMP., SERVO", 1,1,1,1,1,,,,,,,,,,,,,  
13,3,,172162-73470,, "SPRING KIT", 1,1,1,1,1,,,,,,,,,,,,,  
14,3,,172162-73510,, "SEAL KIT, VALVE SEAT", 1,1,1,1,1,,,,,,,,,,,,,  
15,3,,172162-73550,, "ORIFICE KIT", 1,1,1,1,1,,,,,,,,,,,,,  
16,3,,172162-73570,, "PLUG", 1,1,1,1,1,,,,,,,,,,,,,  
17,3,,172162-73590,, "COVER COMPL.", 1,1,,,,,,,,,,,,,  
17-1,3,,172162-73591,, "COVER  
KIT", 1,1,1,1,1,, S, 1, 72162406, EP<sup>3</sup>(1), 72162406, EP<sup>3</sup>(1),,,,,,,,,, I  
18,3,,172162-73620,, "LOCK COMP., SHAFT", 1,1,,,,,,,,,,,,,  
18-1,3,,172162-73591,, "COVER  
KIT", 1,1,1,1,1,, S, 1, 72162406, EP<sup>3</sup>(1), 72162406, EP<sup>3</sup>(1),,,,,,,,,, I  
19,3,,172162-73630,, "PLUG", 1,1,1,1,1,,,,,,,,,,,,,  
20,2,,172162-73640,, "GROUP COMP., ROTARY", 2,2,2,2,2,,,,,,,,,,,,,  
21,2,,172162-73650,, "COVER UNIT COMPL.", 1,1,1,1,1,,,,,,,,,,,,,  
22,3,,172162-73660,, "PLATE KIT, CONTROL", 1,1,1,1,1,,,,,,,,,,,,,  
23,3,,172162-73750,, "PLUG G1/4 COMPL.", 1,1,1,1,1,,,,,,,,,,,,,  
24,3,,172162-73760,, "CASE UNIT COMPL.", 1,1,1,1,1,,,,,,,,,,,,,  
25,2,,172162-73800,, "PUMP COMP., GEAR", 1,1,1,1,1,,,,,,,,,,,,,  
26,3,,172162-73810,, "RING KIT, BUSH SQUARE", 1,1,1,1,1,,,,,,,,,,,,,  
27,2,,172162-73840,, "PLATE KIT, CONTROL", 1,1,1,1,1,,,,,,,,,,,,,  
28,2,,172162-73860,, "SHAFT KIT", 1,1,1,1,1,,,,,,,,,,,,,  
29,2,,172162-73890,, "PLUG COMPL.", 1,1,1,1,1,,,,,,,,,,,,,  
30,2,,172162-73910,, "FLANGE UNIT COMPL.", 1,1,1,1,1,,,,,,,,,,,,,  
31,2,,172162-73930,, "PIPING KIT", 1,1,,,,,,,,,,,,,  
31-1,2,,172162-73931,, "PIPING  
KIT", 1,1,1,1,1,, F, 2, 72162422, M00762, 72162422, M00762,,,,,,,,, I  
31B-1,2,,172162-73951,, "HOSE  
G104BB044", 1,1,,,,, N, 72162422, M00762, 72162422, M00762,,,,,,,,, I  
31B-2,2,,172162-73951,, "HOSE  
G104BB044", 1,1,,,,, Z, 72162424, M00822, 72162424, M00822,,,,,,,,, I  
32,2,,172162-73960,, "COUPLING", 1,1,1,1,1,,,,,,,,,,,,,  
33,1,,22217-160000,, "SPRING WASHER 16", 4,4,4,4,4,,,,,,,,,,,,,  
34,1,,26116-160452,, "BOLT M16X 45 PLATED", 4,4,4,4,4,,,,,,,,,,,,,  
35,1,,172162-73951,, "HOSE  
G104BB044", 1,1,1,1,1,, W, 72162424, M00822, 72162424, M00822,,,,,,,,, I

Fig. 48 メインポンプ & 軸継手  
 MAIN HYD. OIL PUMP & JOINT



1,1,,172162-73110,, "PUMP COMP.,GEAR",1,1,,,,,,,,,,,,,  
1-1,1,,198440-41110,, "PUMP ASSY,  
HYDRAULIC",1,1,1,1,1,,N,,72162383,M00650,72162383,M00650,,,,,,,,,I  
3,2,,198440-41130,,FLANGE,1,1,1,1,1,,,,,,,,,,,,,I  
5,2,,194278-41160,, "SEAL, OIL",1,1,1,1,1,,,,,,,,,,,,,I  
7,2,,198440-41170,, "BOLT, PIPE JOINT",4,4,4,4,4,,,,,,,,,,,,,I  
8,2,,794275-41200,, "SEAL SET",1,1,1,1,1,,,,,,,,,,,,,I  
12,2,,194065-41210,, "PARALLEL PIN 6X12",2,2,2,2,2,,,,,,,,,,,,,I  
13,2,,194278-41210,, "KEY, WOODRUFF",2,2,2,2,2,,,,,,,,,,,,,I  
18,2,,172131-73130,,COVER,1,1,1,1,1,,,,,,,,,,,,,I  
19,2,,22117-100000,, "WASHER 10",4,4,4,4,4,,,,,,,,,,,,,I  
20,2,,22252-000300,, "CIRCLIP 30",1,1,1,1,1,,,,,,,,,,,,,I  
21,1,,22217-080000,, "SPRING WASHER 8",4,4,4,4,4,,,,,,,,,,,,,  
22,1,,24321-000800,, "O-RING 1A G-80.0",1,1,,,,,,,,,,,,,  
22-1,1,,24341-000800,, "O-RING 1A S-  
80.0",1,1,1,1,1,,N,,72162385,M00662,72162385,M00662,,,,,,,,,I  
23,1,,26116-080252,, "BOLT M 8X 25 PLATED",2,2,2,2,2,,,,,,,,,,,,,  
24,1,,26706-080002,, "NUT M 8",2,2,2,2,2,,,,,,,,,,,,,

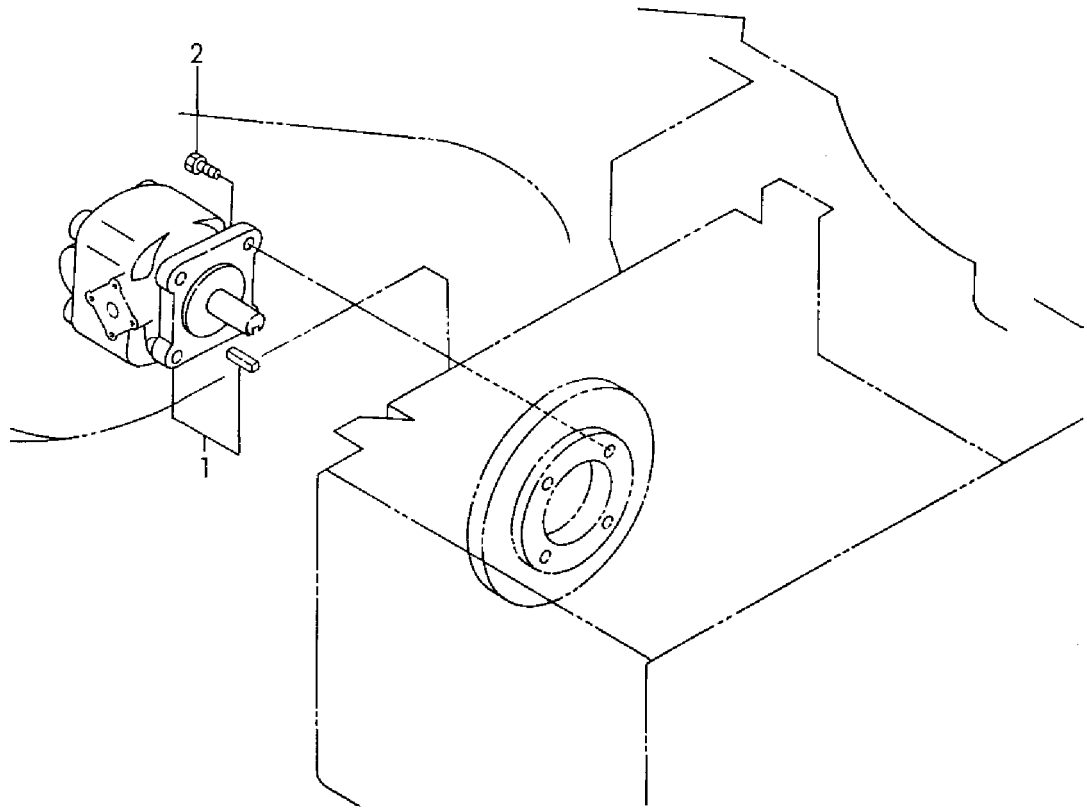
Fig. 49 ポンプ(P. T. O.)  
 HYD. OIL PUMP(P. T. O.)



1,1,,172162-73350,, "MOTOR COMP.,GEAR",1,1,1,1,1,,,,,,,,,,,,,  
2,1,,26013-080202,, "BOLT W/WASHER M8X20",4,4,4,4,4,,,,,,,,,,,,,

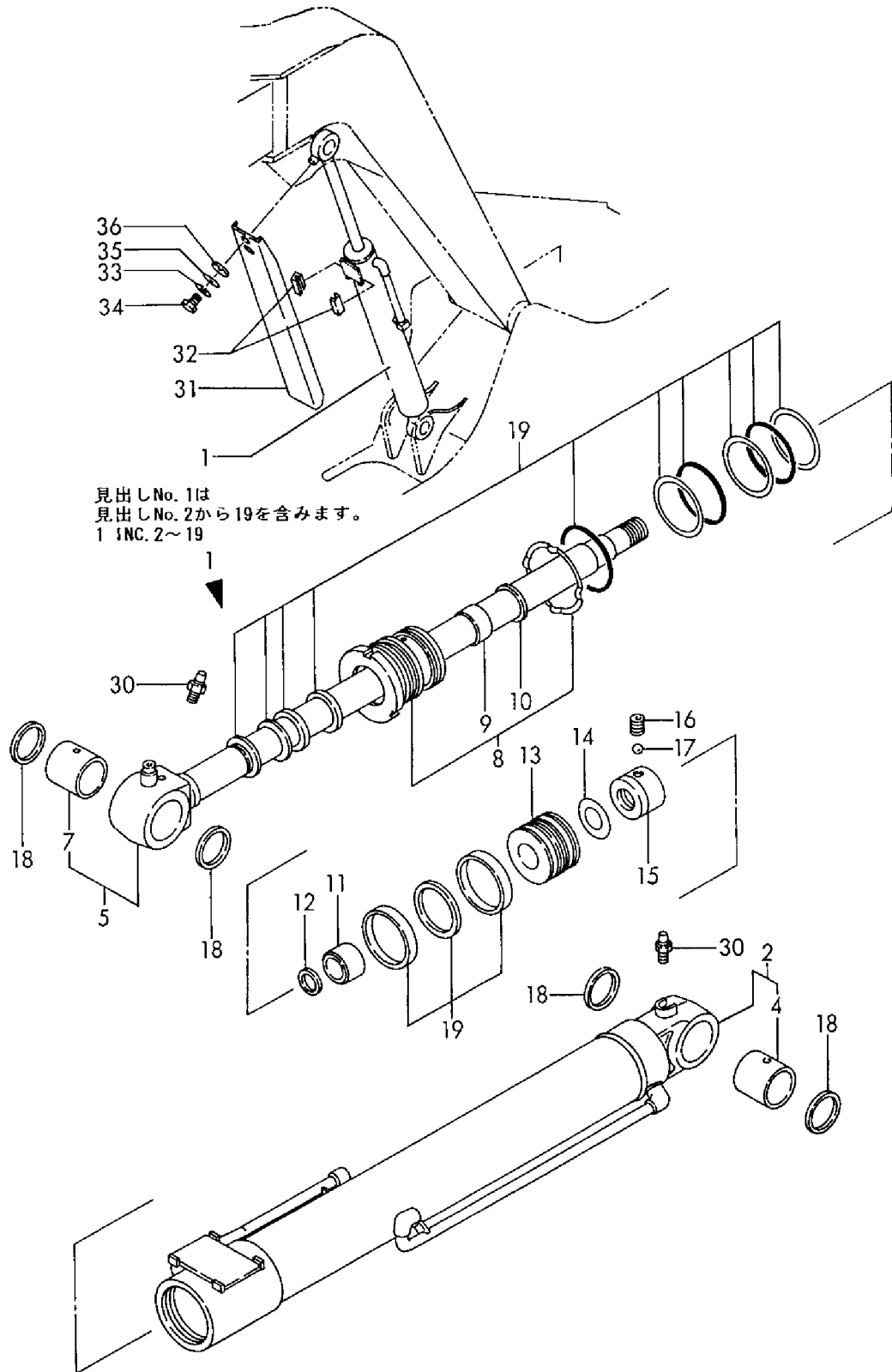


Fig. 50 ファンモータ  
FAM MOTOR



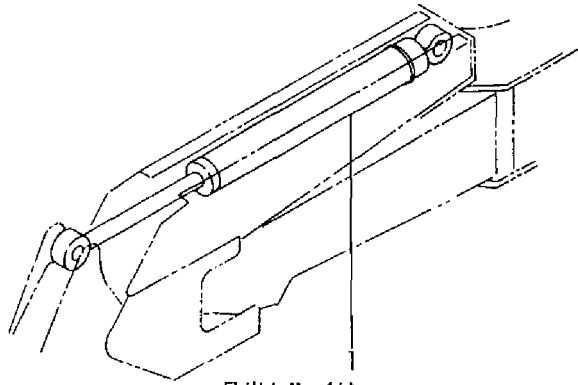
1,1,,172162-72500,, "CYLINDER COMP.,BOOM",1,1,1,1,1,,,,,,,,,,,,,  
2,2,,172162-72550,, "TUBE COMP.,CYLINDER",1,1,1,1,1,,,,,,,,,,,,,  
4,3,,172162-72570,, "BUSH,PIN",1,1,1,1,1,,,,,,,,,,,,,  
5,2,,172162-72580,, "ROD COMP.,PISTON",1,1,1,1,1,,,,,,,,,,,,,  
7,3,,172162-72570,, "BUSH,PIN",1,1,1,1,1,,,,,,,,,,,,,  
8,2,,172162-72600,, "HEAD,CYLINDER",1,1,1,1,1,,,,,,,,,,,,,  
9,2,,172162-72610,, BUSH,1,1,1,1,1,,,,,,,,,,,,,  
10,2,,172162-72620,, "RING,SNAP",1,1,1,1,1,,,,,,,,,,,,,  
11,2,,172162-72630,, "BEARING,CUSHION",1,1,1,1,1,,,,,,,,,,,,,  
12,2,,172162-72640,, "SEAL,CUSHION",1,1,1,1,1,,,,,,,,,,,,,  
13,2,,172162-72650,, PISTON,1,1,1,1,1,,,,,,,,,,,,,  
14,2,,172162-72660,, SHIM,1,1,1,1,1,,,,,,,,,,,,,  
15,2,,172162-72670,, NUT,1,1,1,1,1,,,,,,,,,,,,,  
16,2,,172162-72680,, "SCREW,SET",1,1,1,1,1,,,,,,,,,,,,,  
17,2,,172162-72690,, "BALL,STEEL",1,1,1,1,1,,,,,,,,,,,,,  
18,2,,172162-72700,, "SEAL,DUST",4,4,4,4,4,,,,,,,,,,,,,  
19,3,,172162-72710,, "SEAL KIT,BOOM CYL.",1,1,1,1,1,,,,,,,,,,,,,  
30,1,,24761-020000,, "NIPPLE PT1/8,GREASE",2,2,2,2,2,,,,,,,,,,,,,  
31,1,,172162-61740,, "COVER COMP.,SLIDE",1,1,1,1,1,,,,,,,,,,,,,  
32,1,,172162-61770,, "GUIDE,SLIDE",2,2,2,2,2,,,,,,,,,,,,,  
33,1,,22217-100000,, "SPRING WASHER 10",1,1,1,1,1,,,,,,,,,,,,,  
34,1,,26116-100202,, "BOLT M10X 20 PLATED",1,1,1,1,1,,,,,,,,,,,,,  
35,1,,933147-03400,, "WASHER, BRAKE ARM",1,1,1,1,1,,,,,,,,,,,,,  
36,1,,933168-14170,, "SPRING 16",2,2,2,2,2,,,,,,,,,,,,,

Fig. 51 ブームシリンダ  
BOOM CYLINDER

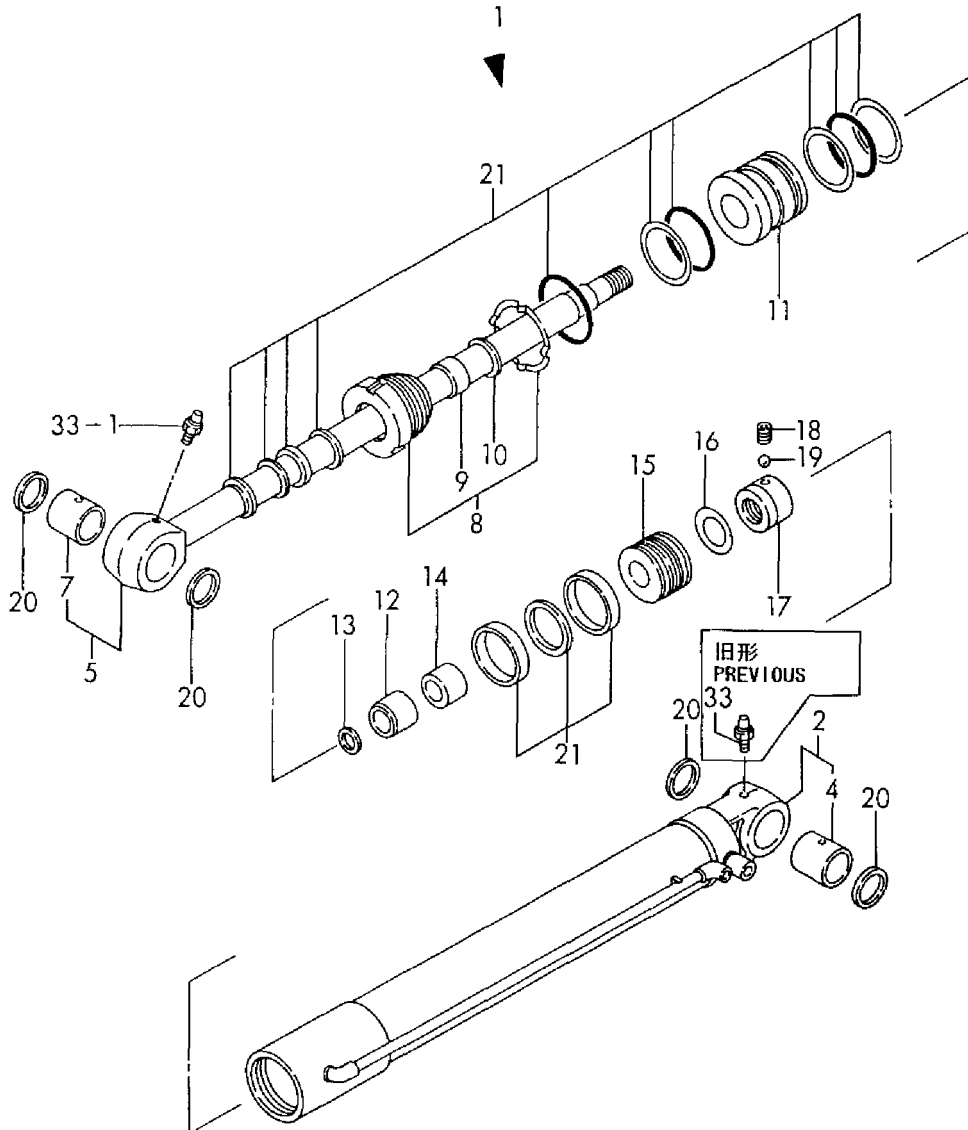


1,1,,172162-72510,, "CYLINDER COMP.,ARM",1,1,1,1,1,,,,,,,,,,,,,  
2,2,,172162-72800,, "TUBE COMP.,CYLINDER",1,1,1,1,1,,,,,,,,,,,,,  
4,3,,172162-72820,, "BUSH,PIN",1,1,1,1,1,,,,,,,,,,,,,  
5,2,,172162-72830,, "ROD COMP.,PISTON",1,1,1,1,1,,,,,,,,,,,,,  
7,3,,172162-72850,, "BUSH,PIN",1,1,1,1,1,,,,,,,,,,,,,  
8,2,,172162-72860,, "HEAD,CYLINDER",1,1,1,1,1,,,,,,,,,,,,,  
9,2,,172162-72610,, BUSH,1,1,1,1,1,,,,,,,,,,,,,  
10,2,,172162-72620,, "RING,SNAP",1,1,1,1,1,,,,,,,,,,,,,  
11,2,,172162-72870,, SPACER,1,1,1,1,1,,,,,,,,,,,,,  
12,2,,172162-72880,, "BEARING,CUSHION",1,1,1,1,1,,,,,,,,,,,,,  
13,2,,172162-72640,, "SEAL,CUSHION",1,1,1,1,1,,,,,,,,,,,,,  
14,2,,172162-72890,, "BEARING,CUSHION",1,1,1,1,1,,,,,,,,,,,,,  
15,2,,172162-72900,, PISTON,1,1,1,1,1,,,,,,,,,,,,,  
16,2,,172162-72910,, SHIM,1,1,1,1,1,,,,,,,,,,,,,  
17,2,,172162-72920,, NUT,1,1,1,1,1,,,,,,,,,,,,,  
18,2,,172162-72930,, "SCREW,SET",1,1,1,1,1,,,,,,,,,,,,,  
19,2,,172124-70030,, BALL,1,1,1,1,1,,,,,,,,,,,,,  
20,2,,172162-72950,, "SEAL,DUST",4,4,4,4,4,,,,,,,,,,,,,  
21,2,,172162-72960,, "SEAL KIT,ARM CYLINDR",1,1,1,1,1,,,,,,,,,,,,,  
33,1,,24761-020000,, "NIPPLE PT1/8,GREASE",2,2,,,,,,,,,,,,,  
33-1,1,,24761-020000,, "NIPPLE  
PT1/8,GREASE",1,1,1,1,1,,K,,72162229,M00504,72162229,M00504,,,,,,,,,

Fig. 52 アームシリンダ  
ARM CYLINDER

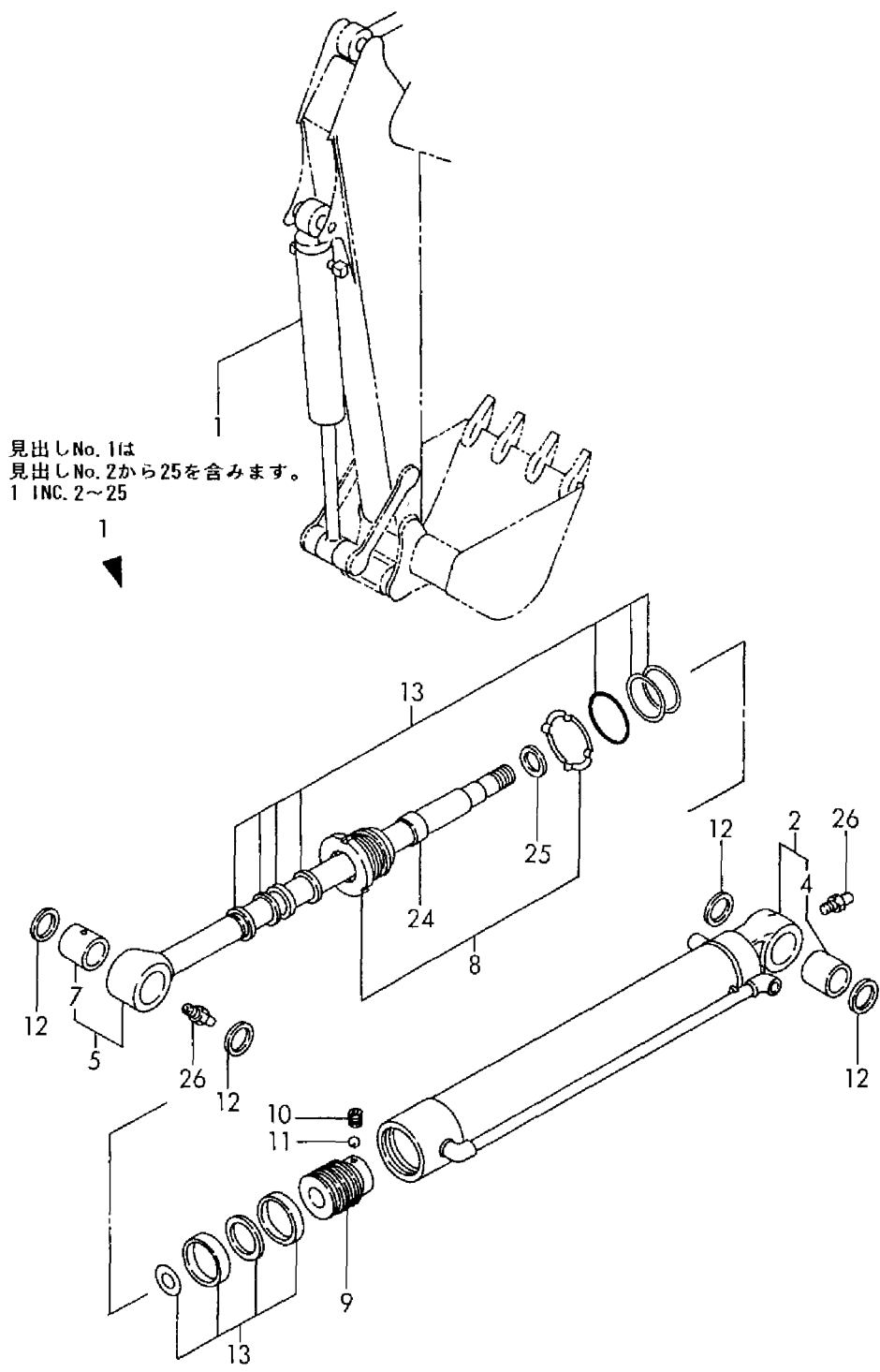


見出しNo. 1は  
見出しNo. 2から21を含みます。  
1 INC. 2~21



1,1,,172162-72520,, "CYLINDER CMP.,BUCKET",1,1,1,1,1,,,,,,,,,,,,,  
2,2,,172162-72400,, "TUBE COMP.,CYLINDER",1,1,1,1,1,,,,,,,,,,,,,  
4,3,,172162-72420,, "BUSH,PIN",1,1,1,1,1,,,,,,,,,,,,,  
5,2,,172162-72430,, "ROD COMP.,PISTON",1,1,1,1,1,,,,,,,,,,,,,  
7,3,,172162-72450,, "BUSH,PIN",1,1,1,1,1,,,,,,,,,,,,,  
8,2,,172162-72460,, "HEAD,CYLINDER",1,1,1,1,1,,,,,,,,,,,,,  
9,2,,172162-72490,, PISTON,1,1,1,1,1,,,,,,,,,,,,,  
10,2,,172162-72020,, "SCREW,SET",1,1,1,1,1,,,,,,,,,,,,,  
11,2,,172162-72030,, "BALL,STEEL",1,1,1,1,1,,,,,,,,,,,,,  
12,2,,172162-72040,, "SEAL,DUST",4,4,4,4,4,,,,,,,,,,,,,  
13,2,,172162-72050,, "SEAL KIT,BUCKET CYL.",1,1,1,1,1,,,,,,,,,,,,,  
24,2,,172162-72470,, BUSH,1,1,1,1,1,,,,,,,,,,,,,  
25,2,,172162-72480,, "RING,SNAP",1,1,1,1,1,,,,,,,,,,,,,  
26,1,,24761-020000,, "NIPPLE PT1/8,GREASE",2,2,2,2,2,,,,,,,,,,,,,

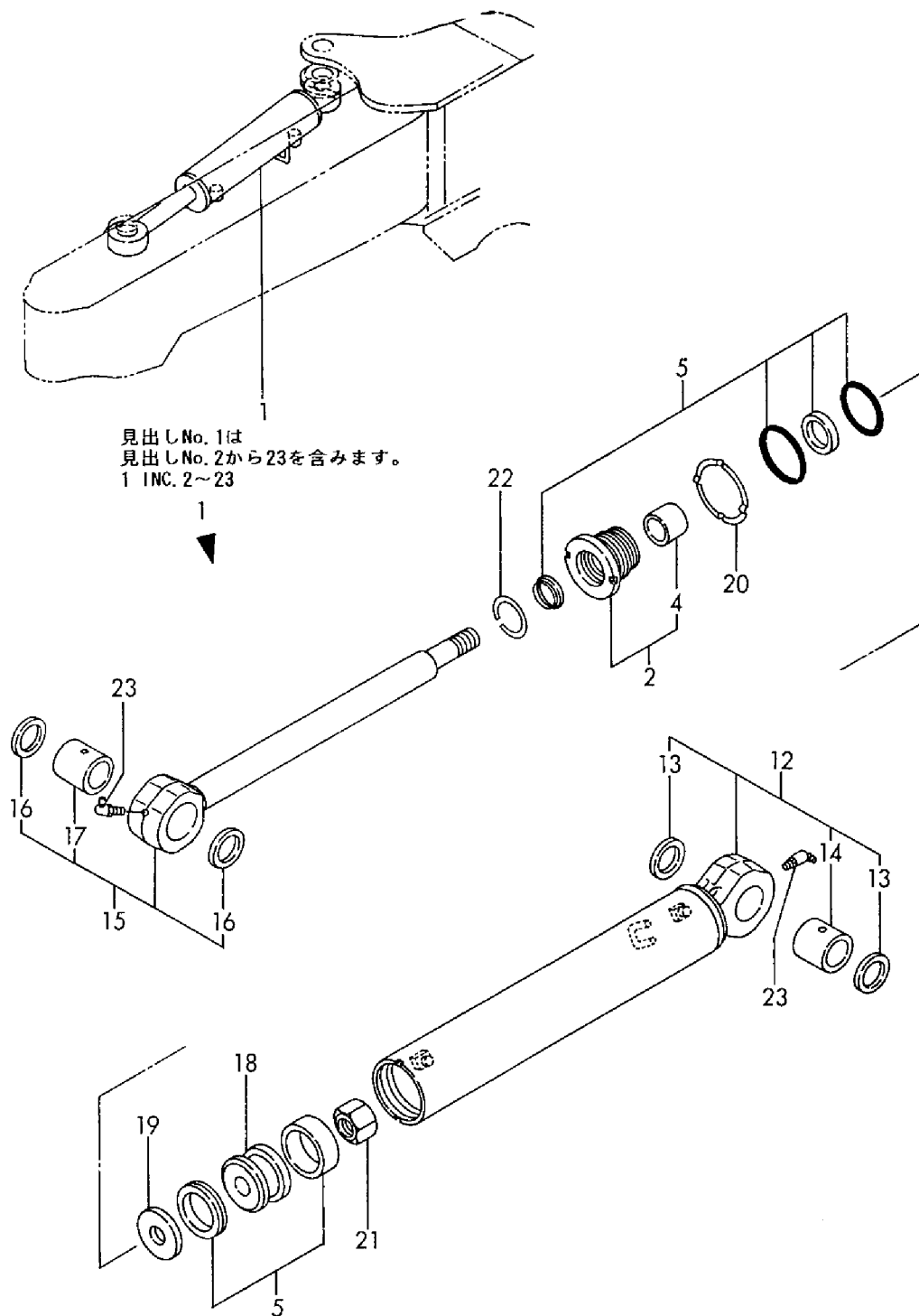
Fig. 53 バケットシリンダ  
BUCKET CYLINDER



1,1,,172162-72300,, "CYLINDER CMP.,OFFSET",1,1,,,,,,,,,,,,,  
1-1,1,,172162-72301,, "CYLINDER  
CMP.,OFFSET",1,1,1,1,1,1,,N,,72162241,M00511,72162241,M00511,,,,,,,,,  
2,2,,172162-72210,, "HEAD 110X55 COMPL.",1,1,1,1,1,1,,,,,,,,,,,,,  
4,3,,172151-72240,, "BUSH 55 35, ROD",1,1,1,1,1,1,,,,,,,,,,,,,  
5,2,,172162-72390,, "SEAL KIT,CYLINDER",1,1,1,1,1,1,,,,,,,,,,,,,  
12,2,,172162-72310,, "TUBE COMP.,OFFSET",1,1,,,,,,,,,,,,,  
12-1,2,,172162-72311,, "TUBE  
COMP.,OFFSET",1,1,1,1,1,1,,N,,72162241,M00511,72162241,M00511,,,,,,,,,  
13,3,,172162-81050,, "SEAL 60X75X6,DUST",2,2,2,2,2,2,,,,,,,,,,,,,  
14,3,,172162-81060,, "BUSH 60X55",1,1,1,1,1,1,,,,,,,,,,,,,  
15,2,,172162-72360,, "ROD COMP.,OFFSET",1,1,1,1,1,1,,,,,,,,,,,,,  
16,3,,172162-81050,, "SEAL 60X75X6,DUST",2,2,2,2,2,2,,,,,,,,,,,,,  
17,3,,172162-81060,, "BUSH 60X55",1,1,1,1,1,1,,,,,,,,,,,,,  
18,2,,172162-72230,, "PISTON 110",1,1,1,1,1,1,,,,,,,,,,,,,  
19,2,,172162-72240,, "SPACER 110X39",1,1,1,1,1,1,,,,,,,,,,,,,  
20,2,,172162-72250,, "WASHER,LOCK",1,1,1,1,1,1,,,,,,,,,,,,,  
21,2,,172151-72270,, "U-NUT M39",1,1,1,1,1,1,,,,,,,,,,,,,  
22,2,,933126-00500,, "RING 72, SPRING",1,1,1,1,1,1,,,,,,,,,,,,,  
23,2,,24761-040000,, "NIPPLE B,GREASE",2,2,2,2,2,2,,,,,,,,,,,,,

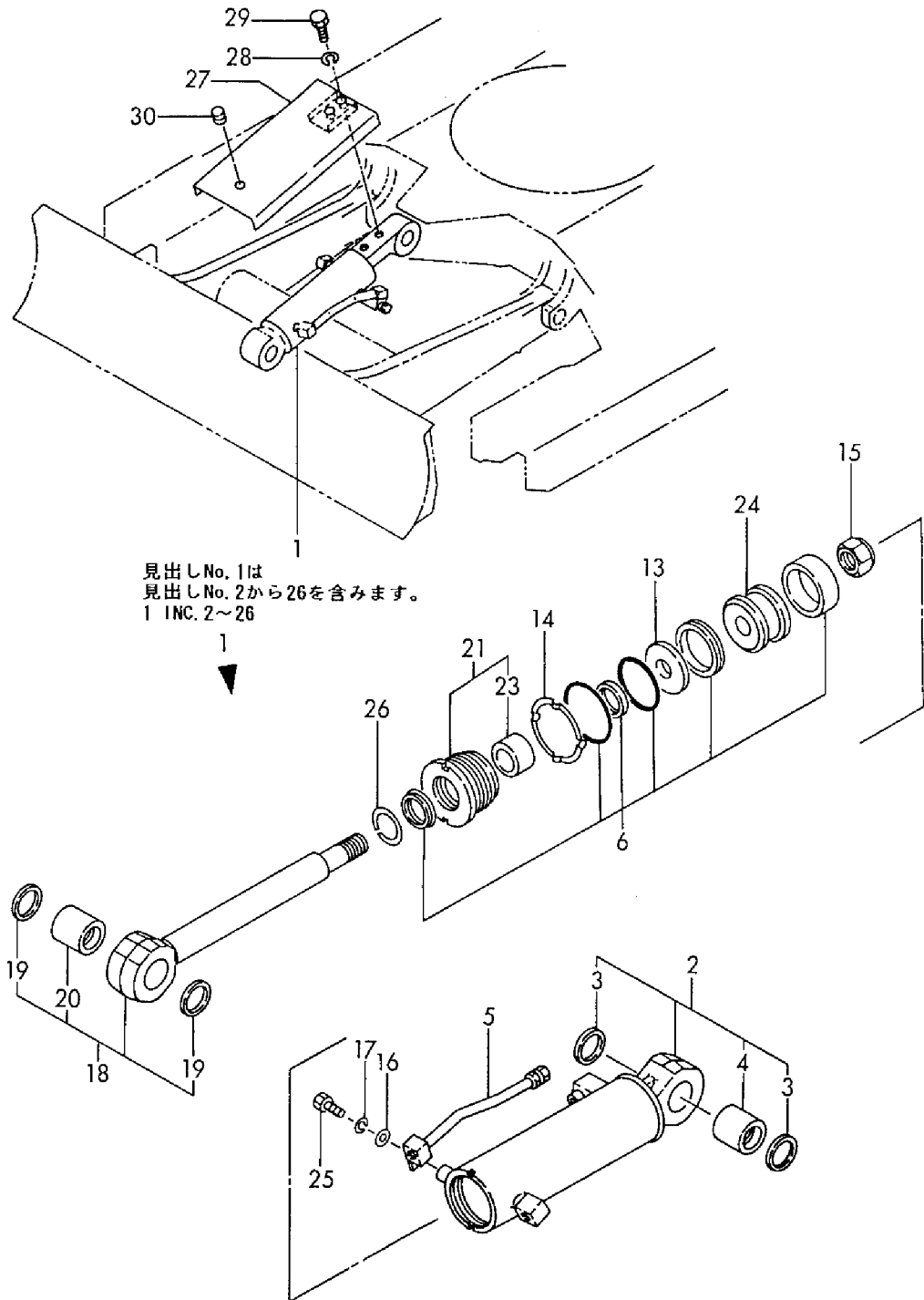


Fig. 54 オフセットシリンダ  
OFFSET CYLINDER



1,1,,172162-72100,, "CYLINDER COMP.,BLADE",1,1,1,1,1,,,,,,,,,,,,,  
2,2,,172162-72110,, "TUBE COMP.,BLADE",1,1,1,1,1,,,,,,,,,,,,,  
3,3,,172162-81050,, "SEAL 60X75X6,DUST",2,2,2,2,2,,,,,,,,,,,,,  
4,3,,172162-81060,, "BUSH 60X55",1,1,1,1,1,,,,,,,,,,,,,  
5,2,,172162-72140,, "PIPING COMP.,BLADE",1,1,1,1,1,,,,,,,,,,,,,  
6,2,,172162-72390,, "SEAL KIT,CYLINDER",1,1,1,1,1,,,,,,,,,,,,,  
13,2,,172162-72240,, "SPACER 110X39",1,1,1,1,1,,,,,,,,,,,,,  
14,2,,172162-72250,, "WASHER,LOCK",1,1,1,1,1,,,,,,,,,,,,,  
15,2,,172151-72270,, "U-NUT M39",1,1,1,1,1,,,,,,,,,,,,,  
16,2,,22137-100000,, "WASHER 10,POLISHED",1,1,1,1,1,,,,,,,,,,,,,  
17,2,,22217-100000,, "SPRING WASHER 10",1,1,1,1,1,,,,,,,,,,,,,  
18,2,,172162-72180,, "ROD COMP.,BLADE",1,1,1,1,1,,,,,,,,,,,,,  
19,3,,172162-81050,, "SEAL 60X75X6,DUST",2,2,2,2,2,,,,,,,,,,,,,  
20,3,,172162-81060,, "BUSH 60X55",1,1,1,1,1,,,,,,,,,,,,,  
21,2,,172162-72210,, "HEAD 110X55 COMPL.",1,1,1,1,1,,,,,,,,,,,,,  
23,3,,172151-72240,, "BUSH 55 35, ROD",1,1,1,1,1,,,,,,,,,,,,,  
24,2,,172162-72230,, "PISTON 110",1,1,1,1,1,,,,,,,,,,,,,  
25,2,,26116-100202,, "BOLT M10X 20 PLATED",1,1,1,1,1,,,,,,,,,,,,,  
26,2,,933126-00500,, "RING 72, SPRING",1,1,1,1,1,,,,,,,,,,,,,  
27,1,,172162-61520,, "COVER COMP.,BLADE",1,1,1,1,1,,,,,,,,,,,,,  
28,1,,22217-120000,, "SPRING WASHER",2,2,2,2,2,,,,,,,,,,,,,  
29,1,,26116-120202,, "BOLT M12X 20 PLATED",2,2,2,2,2,,,,,,,,,,,,,  
30,1,,194630-  
62360,,GROMMET,1,1,1,1,1,,W,,72162356,M00563,72162356,M00563,,,,,,,,,I

Fig. 55 ブレードシリンダ  
BLADE CYLINDER



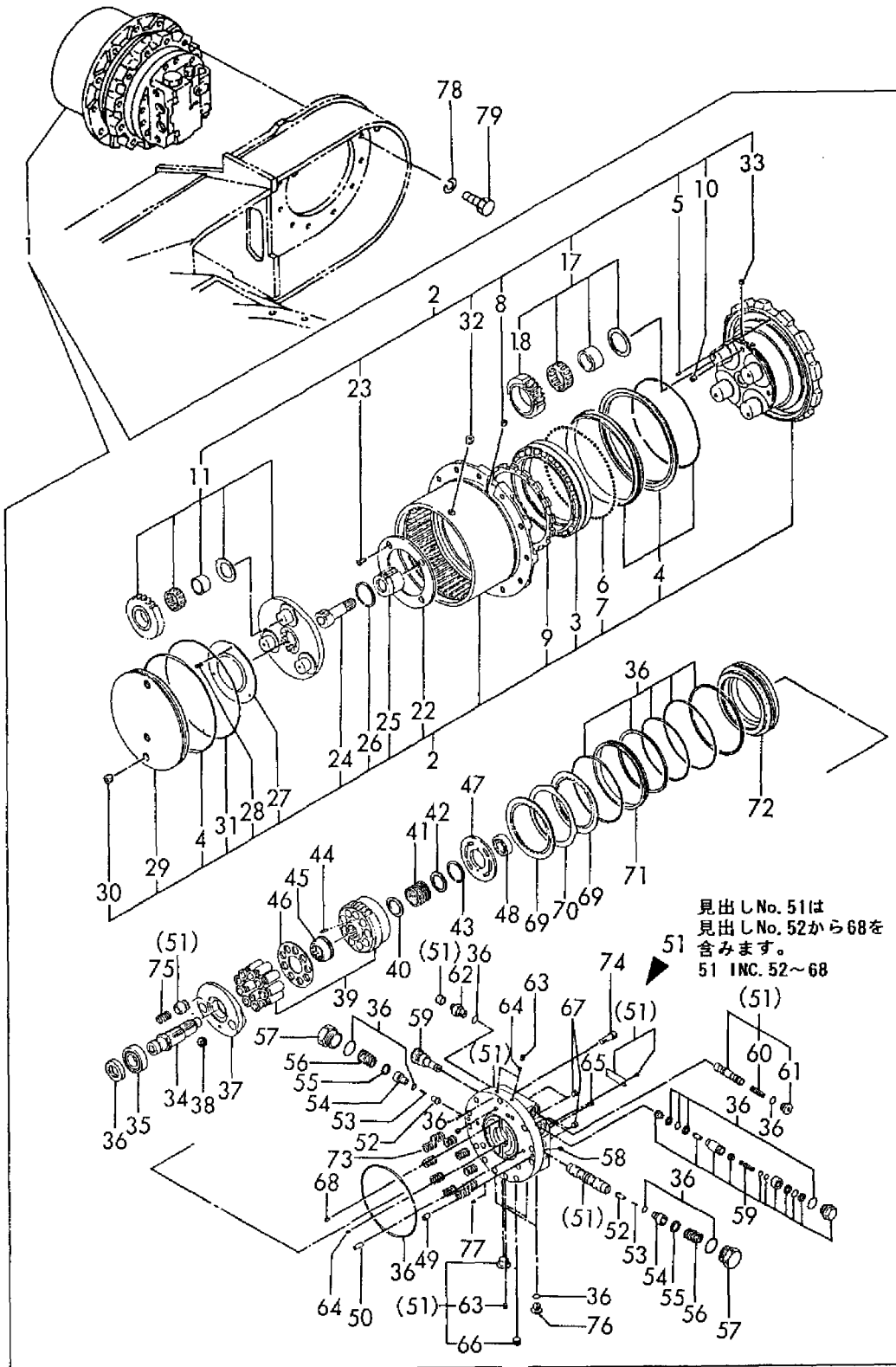
見出しNo. 1は  
見出しNo. 2から26を含みます。  
1 INC. 2~26





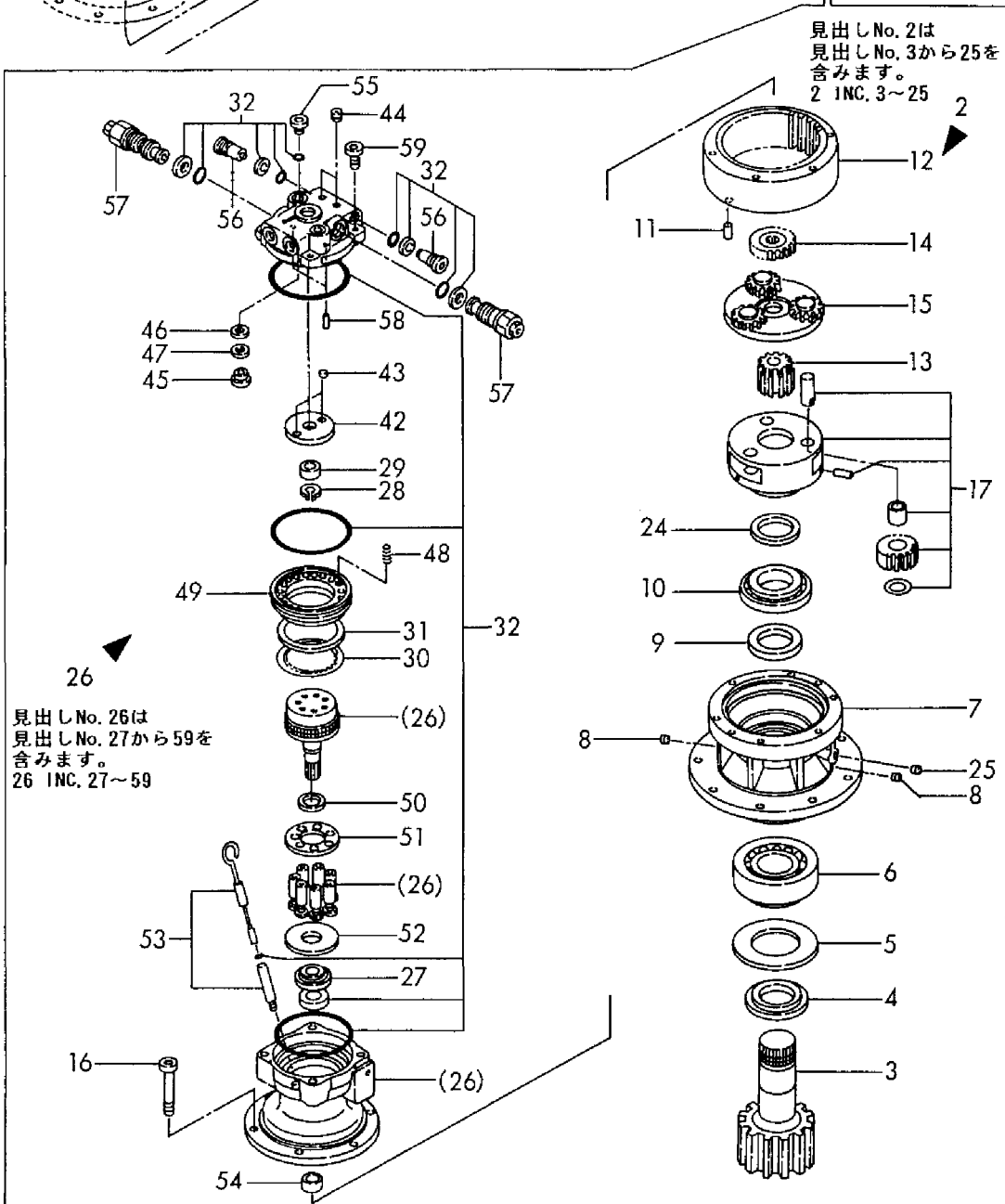
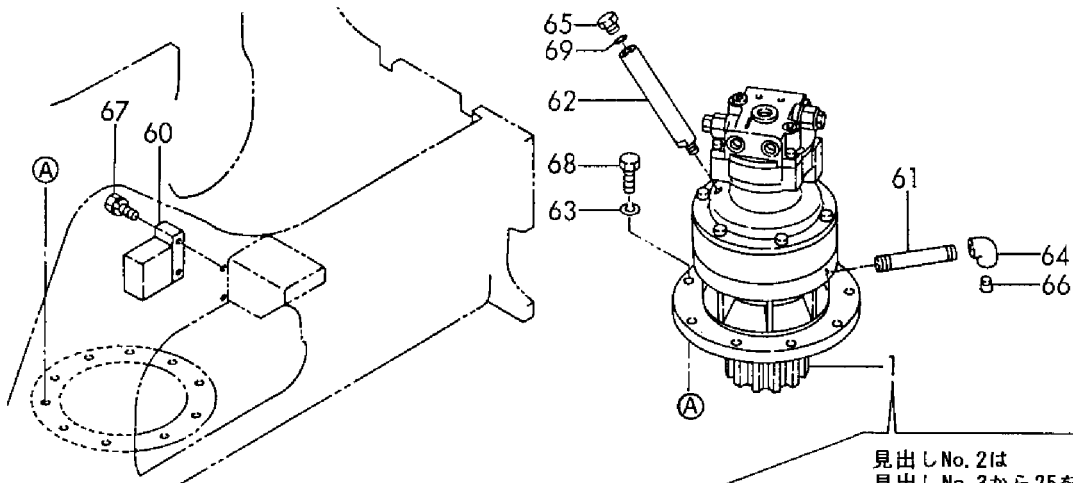
72,2,,172162-70830,, "PISTON,BRAKE",2,2,2,2,2,,,,,,,,,,,,,  
73,2,,172162-70880,, SPRING,20,20,20,20,20,,,,,,,,,,,,,  
74,2,,172124-70390,, "BOLT, SOCKET",22,22,22,22,22,,,,,,,,,,,,,  
75,2,,172162-70900,, SPRING,4,4,4,4,4,,,,,,,,,,,,,  
76,2,,172147-70500,, PLUG,4,4,4,4,4,,,,,,,,,,,,,  
77,2,,172148-70340,, ORIFICE,2,2,2,2,2,,,,,,,,,,,,,  
78,1,,22217-160000,, "SPRING WASHER 16",24,24,24,24,24,,,,,,,,,,,,,  
79,1,,26116-160402,, "BOLT M16X 40 PLATED",24,24,24,24,24,,,,,,,,,,,,,

Fig. 56 走行モータ  
DRIVING MOTOR



1,1,,172162-73310,, "MOTOR COMP., SWING",1,1,1,1,1,,,,,,,,,,,,,  
2,2,,172162-71450,, "REDUCER COMP., SPEED",1,1,1,1,1,,,,,,,,,,,,,  
3,3,,172162-71460,, "SHAFT, PINION",1,1,1,1,1,,,,,,,,,,,,,  
4,3,,172162-71470,, COLLAR,1,1,1,1,1,,,,,,,,,,,,,  
5,3,,172162-71480,, PLATE,1,1,1,1,1,,,,,,,,,,,,,  
6,3,,172162-71490,, "BEARING, TAPER ROLLER",1,1,1,1,1,,,,,,,,,,,,,  
7,3,,172162-71500,, "CASE, GEAR",1,1,1,1,1,,,,,,,,,,,,,  
8,3,,172162-71510,, "PLUG PT1/8",2,2,2,2,2,,,,,,,,,,,,,  
9,3,,172162-71520,, "SEAL, OIL",1,1,1,1,1,,,,,,,,,,,,,  
10,3,,172162-71530,, "BEARING, TAPER ROLLER",1,1,1,1,1,,,,,,,,,,,,,  
11,3,,172162-71540,, PIN,2,2,2,2,2,,,,,,,,,,,,,  
12,3,,172162-71550,, "GEAR, RING",1,1,1,1,1,,,,,,,,,,,,,  
13,3,,172162-71560,, "GEAR 4, SPUR",1,1,1,1,1,,,,,,,,,,,,,  
14,3,,172162-71570,, "GEAR, SUN",1,1,1,1,1,,,,,,,,,,,,,  
15,3,,172162-71580,, "HOLDER 1 COMPL.",1,1,1,1,1,,,,,,,,,,,,,  
16,3,,26450-120952,, "BOLT M12X95, HEX. SCKT",6,6,6,6,6,,,,,,,,,,,,,  
17,3,,172162-71590,, "HOLDER 2 COMPL.",1,1,1,1,1,,,,,,,,,,,,,  
24,3,,172162-71660,, COLLAR,2,2,2,2,2,,,,,,,,,,,,,  
25,3,,172162-71670,, "PLUG PT3/8",1,1,1,1,1,,,,,,,,,,,,,  
26,2,,172162-71680,, "MOTOR COMP., HYDRAULC",1,1,1,1,1,,,,,,,,,,,,,  
27,3,,172162-71690,, "BEARING, TAPER ROLLER",1,1,1,1,1,,,,,,,,,,,,,  
28,3,,172162-71700,, "RING, SNAP",1,1,1,1,1,,,,,,,,,,,,,  
29,3,,172162-71710,, "BEARING, NEEDLE",1,1,1,1,1,,,,,,,,,,,,,  
30,3,,172162-71720,, "PLATE, FRICTION",1,1,1,1,1,,,,,,,,,,,,,  
31,3,,172162-71730,, PLATE,1,1,1,1,1,,,,,,,,,,,,,  
32,3,,172162-71970,, "SEAL KIT, HYDRO. MOTOR",1,1,1,1,1,,,,,,,,,,,,,  
42,3,,172162-71750,, "PLATE, BALANCE",1,1,1,1,1,,,,,,,,,,,,,  
43,3,,172162-71770,, PISTON,2,2,2,2,2,,,,,,,,,,,,,  
44,3,,172162-71780,, "PLUG PT1/4",2,2,2,2,2,,,,,,,,,,,,,  
45,3,,172162-71790,, BUSH,4,4,4,4,4,,,,,,,,,,,,,  
46,3,,172162-71800,, "SPRING, BELLEVILLE",4,4,4,4,4,,,,,,,,,,,,,  
47,3,,172162-71810,, "RING, TEFLON",4,4,4,4,4,,,,,,,,,,,,,  
48,3,,172162-71820,, SPRING,20,20,20,20,20,,,,,,,,,,,,,  
49,3,,172162-71830,, PISTON,1,1,1,1,1,,,,,,,,,,,,,  
50,3,,172162-71850,, SPRING,1,1,1,1,1,,,,,,,,,,,,,  
51,3,,172162-71860,, "PLATE, RETURN",1,1,1,1,1,,,,,,,,,,,,,  
52,3,,172162-71870,, "PLATE, CAM",1,1,1,1,1,,,,,,,,,,,,,  
53,3,,172162-71880,, "GAUGE COMP., LEVEL",1,1,1,1,1,,,,,,,,,,,,,  
54,3,,172162-71900,, COLLAR,1,1,1,1,1,,,,,,,,,,,,,  
55,3,,172162-71910,, CAP,1,1,1,1,1,,,,,,,,,,,,,  
56,3,,172162-71920,, "VALVE COMP., BYPASS",2,2,2,2,2,,,,,,,,,,,,,  
57,3,,172162-71940,, "RELIEF COMPL.",2,2,2,2,2,,,,,,,,,,,,,  
58,3,,172162-71960,, "PIN, STRAIGHT",2,2,2,2,2,,,,,,,,,,,,,  
59,3,,26450-120302,, "BOLT M12X30",4,4,4,4,4,,,,,,,,,,,,,  
60,1,,172162-73320,, "TIMER COMP., BRAKE",1,1,1,1,1,,,,,,,,,,,,,  
61,1,,172162-73330,, "CONNECTOR 2-PT3/8",1,1,1,1,1,,,,,,,,,,,,,  
62,1,,172162-73970,, "PIPE, SUCTION",1,1,1,1,1,,,,,,,,,,,,,  
63,1,,22217-160000,, "SPRING WASHER 16",8,8,8,8,8,,,,,,,,,,,,,  
64,1,,23111-030000,, "ELBOW (PT 3/8)",1,1,1,1,1,,,,,,,,,,,,,  
65,1,,23490-200002,, "PLUG, DRAIN",1,1,1,1,1,,,,,,,,,,,,,  
66,1,,23871-030000,, "PLUG PT3/8, SCREW",1,1,1,1,1,,,,,,,,,,,,,  
67,1,,26013-060502,, "BOLT M 6X 50",2,2,2,2,2,,,,,,,,,,,,,  
68,1,,26116-160502,, "BOLT M16X 50 PLATED",8,8,8,8,8,,,,,,,,,,,,,  
69,1,,24311-000220,, "O-RING 1A P-22.0",1,1,1,1,1,1,,,,,,,,,,,,

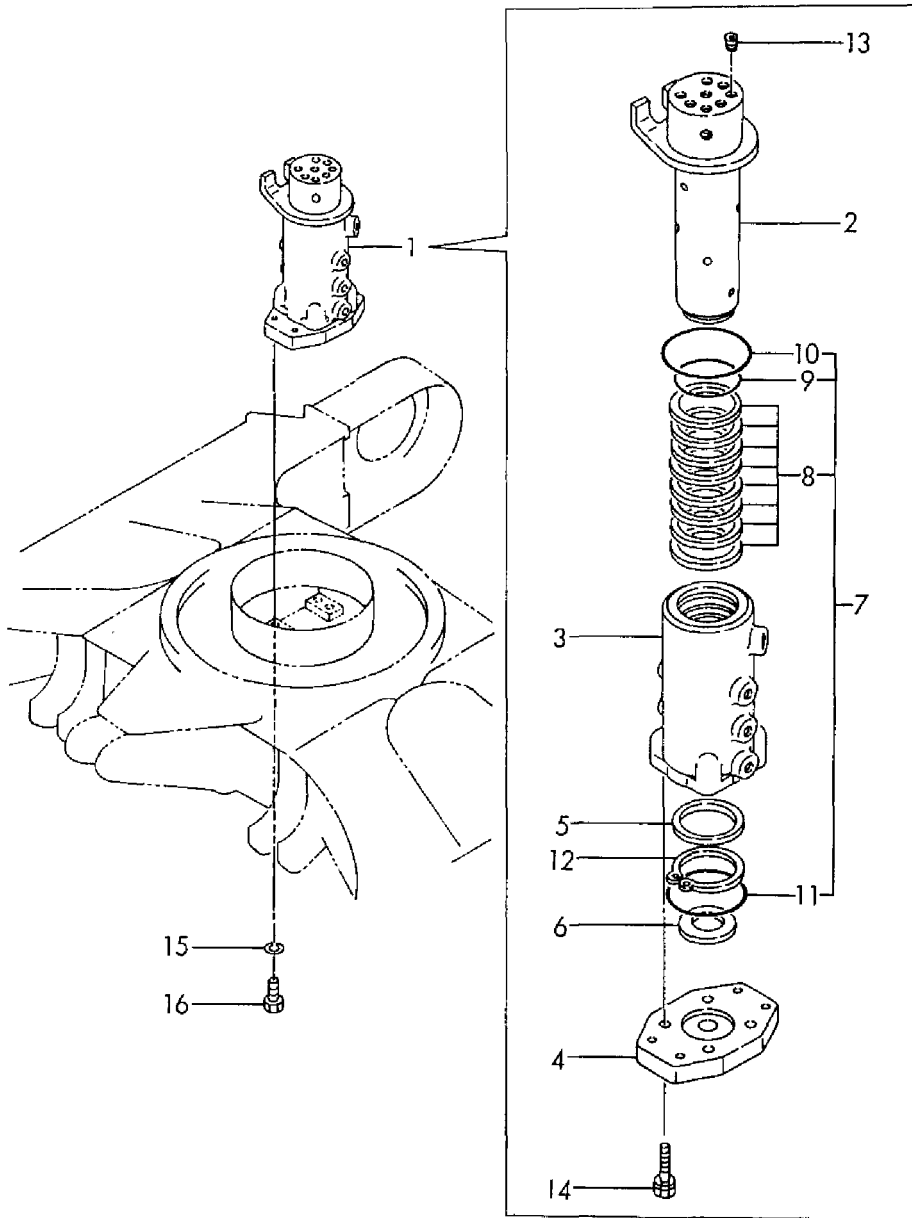
Fig. 57 旋回モータ & ブレーキタイマ  
TURNING MOTOR & BRAKE TIMER





1,1,,172147-73800,, "JOINT ASSY, SWIVEL",1,1,1,1,1,1,,,,,,,,,,,,,  
2,2,,172147-73810,, SHAFT,1,1,1,1,1,1,,,,,,,,,,,,,  
3,2,,172147-73830,, "HUB, SWIVEL",1,1,1,1,1,1,,,,,,,,,,,,,  
4,2,,172147-73850,, PLATE,1,1,1,1,1,1,,,,,,,,,,,,,  
5,2,,172122-73860,, "SPACER, SWIVEL",1,1,1,1,1,1,,,,,,,,,,,,,  
6,2,,172122-73870,, "THRUST WASHER",1,1,1,1,1,1,,,,,,,,,,,,,  
7,2,,172147-73880,, "SEAL ASSY",1,1,1,1,1,1,,,,,,,,,,,,,  
8,3,,172122-73890,, "SEAL, SWIVEL",8,8,8,8,8,8,,,,,,,,,,,,,  
9,3,,24311-000800,, "O-RING 1A P-80.0",1,1,1,1,1,1,,,,,,,,,,,,,  
10,3,,24311-001000,, "O-RING 1A P-100.0",1,1,1,1,1,1,,,,,,,,,,,,,  
11,3,,24321-000950,, "O-RING 1A G-95.0",1,1,1,1,1,1,,,,,,,,,,,,,  
12,2,,22242-000700,, "CIRCLIP 70",1,1,1,1,1,1,,,,,,,,,,,,,  
13,2,,23871-030000,, "PLUG PT3/8, SCREW",4,4,4,4,4,4,,,,,,,,,,,,,  
14,2,,26013-100402,, "BOLT M10X 40",4,4,4,4,4,4,,,,,,,,,,,,,  
15,1,,22217-120000,, "SPRING WASHER",4,4,4,4,4,4,,,,,,,,,,,,,  
16,1,,26116-120602,, "BOLT M12X 60 PLATED",4,4,4,4,4,4,,,,,,,,,,,,,

Fig. 58 スイベルジョイント  
SWIVEL JOINT

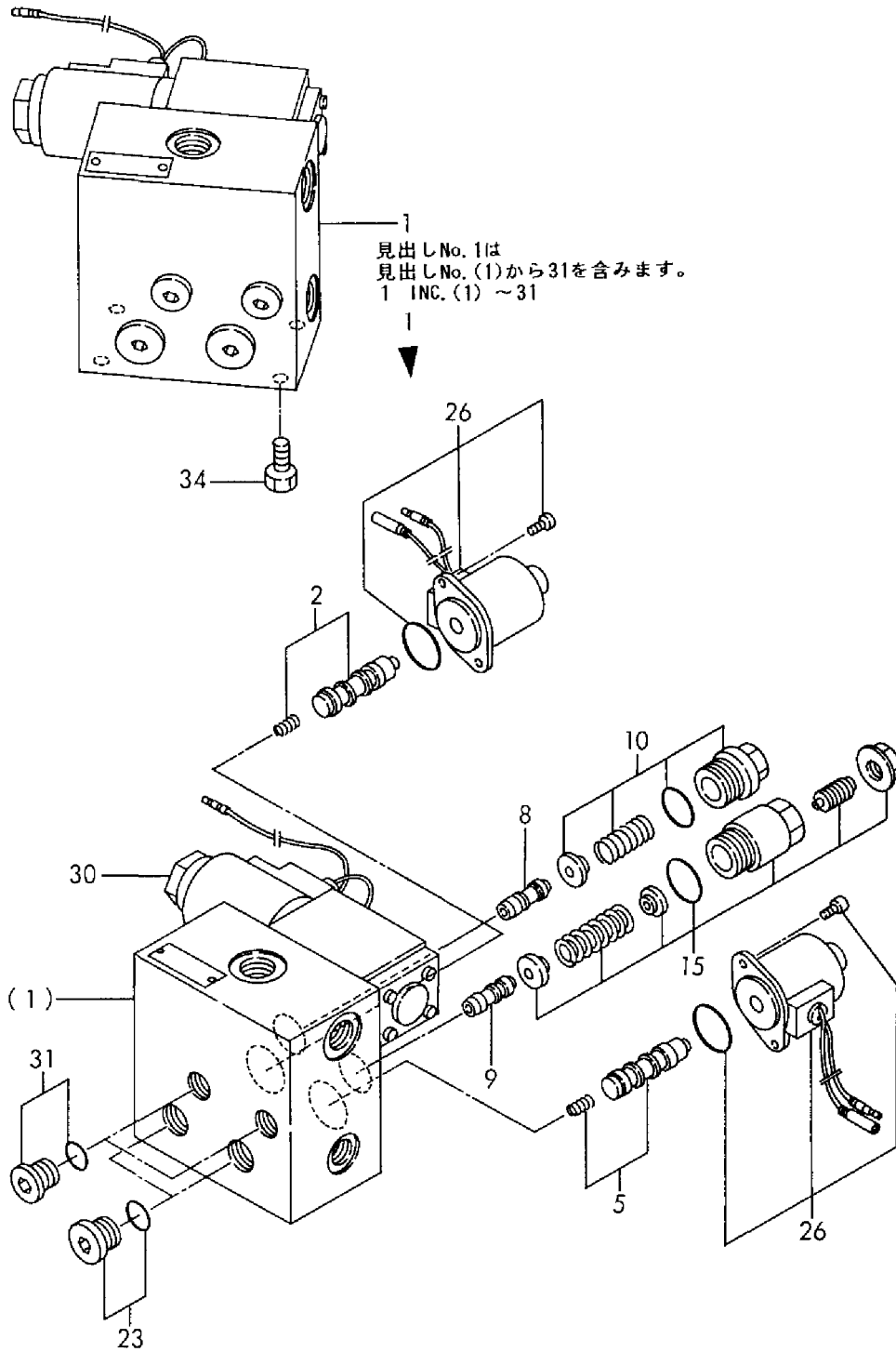


1,1,,172162-74100,, "VALVE COMP.,CONTROL",1,1,1,1,1,,,,,,,,,,,,,  
2,2,,172162-74300,, "RELIEF COMP.,MAIN",2,2,2,2,2,,,,,,,,,,,,,  
3,3,,172162-74320,, "LEAF COMP.,RELIEF",2,2,2,2,2,,,,,,,,,,,,,  
7,2,,172162-74310,, "RELIEF COMP.,MAIN",1,1,1,1,1,,,,,,,,,,,,,  
8,3,,172162-74320,, "LEAF COMP.,RELIEF",1,1,1,1,1,,,,,,,,,,,,,  
12,2,,172162-74340,, "RELIEF COMP.,PORT",7,7,7,7,7,,,,,,,,,,,,,  
13,3,,172162-74320,, "LEAF COMP.,RELIEF",7,7,7,7,7,,,,,,,,,,,,,  
17,2,,172162-74350,, "VALVE ASSY, REDUCING",2,2,2,2,2,,,,,,,,,,,,,  
18,3,,172162-74360,, "SEAL,REDUCING VALVE",2,2,2,2,2,,,,,,,,,,,,,  
23,2,,172162-74380,, "CAP,PLUNGER",5,5,5,5,5,,,,,,,,,,,,,  
24,2,,172162-74390,, "COVER,SPRING",5,5,5,5,5,,,,,,,,,,,,,  
25,2,,172162-74400,, "SPRING",3,3,3,3,3,,,,,,,,,,,,,  
26,2,,172162-74410,, "GUIDE,SPRING",10,10,10,10,10,,,,,,,,,,,,,  
27,2,,172162-74420,, "RETAINER,SEAL",10,10,10,10,10,,,,,,,,,,,,,  
28,2,,172162-74430,, "WIPER",10,10,10,10,10,,,,,,,,,,,,,  
29,2,,172162-74440,, "O-RING",10,10,10,10,10,,,,,,,,,,,,,  
30,2,,172162-74450,, "CAP COMPL.",1,1,1,1,1,,,,,,,,,,,,,  
33,2,,172162-74470,, "COVER",8,8,8,8,8,,,,,,,,,,,,,  
34,2,,172162-74480,, "SPRING COMP.",5,5,5,5,5,,,,,,,,,,,,,  
38,2,,172162-74500,, "CAP,PLUNGER",5,5,5,5,5,,,,,,,,,,,,,  
39,2,,172162-74520,, "O-RING",8,8,8,8,8,,,,,,,,,,,,,  
40,2,,172162-74530,, "SPRING COMPL.",3,3,3,3,3,,,,,,,,,,,,,  
44,2,,172162-74550,, "SPRING",2,2,2,2,2,,,,,,,,,,,,,  
45,2,,172162-74560,, "NUT,HEX.",3,3,3,3,3,,,,,,,,,,,,,  
46,2,,172162-74580,, "SPACER",3,3,3,3,3,,,,,,,,,,,,,  
47,2,,172162-74590,, "CAP,PLUNGER",3,3,3,3,3,,,,,,,,,,,,,  
48,2,,172162-74610,, "EYE F,PLUNGER",5,5,5,5,5,,,,,,,,,,,,,  
49,2,,172162-74620,, "O-RING",4,4,4,4,4,,,,,,,,,,,,,  
50,2,,172162-74630,, "CAP,PLUNGER",4,4,4,4,4,,,,,,,,,,,,,  
51,2,,172162-74640,, "COVER",4,4,4,4,4,,,,,,,,,,,,,  
52,2,,172162-74650,, "CHECK COMP.,LOAD",18,18,18,18,18,,,,,,,,,,,,,  
55,2,,24311-240100,, "O-RING 1A P-10A",18,18,18,18,18,,,,,,,,,,,,,  
56,2,,26450-060102,, "BOLT M 6X 10",10,10,10,10,10,,,,,,,,,,,,,  
57,2,,26450-060122,, "BOLT M 6X 12",10,10,10,10,10,,,,,,,,,,,,,  
58,2,,26450-060202,, "BOLT M 6X 20",22,22,22,22,22,,,,,,,,,,,,,  
59,1,,22217-100000,, "SPRING WASHER 10",3,3,3,3,3,,,,,,,,,,,,,  
60,1,,26116-100852,, "BOLT M10X 85 PLATED",3,3,3,3,3,,,,,,,,,,,,,  
61,1,,172162-76850,, "PLUG PF3/8",2,2,2,2,2,,1,,,,,,,,,,,,,  
62,1,,24315-000240,, "O-RING 1B P-24.0",2,2,2,2,2,,1,,,,,,,,,,,,,



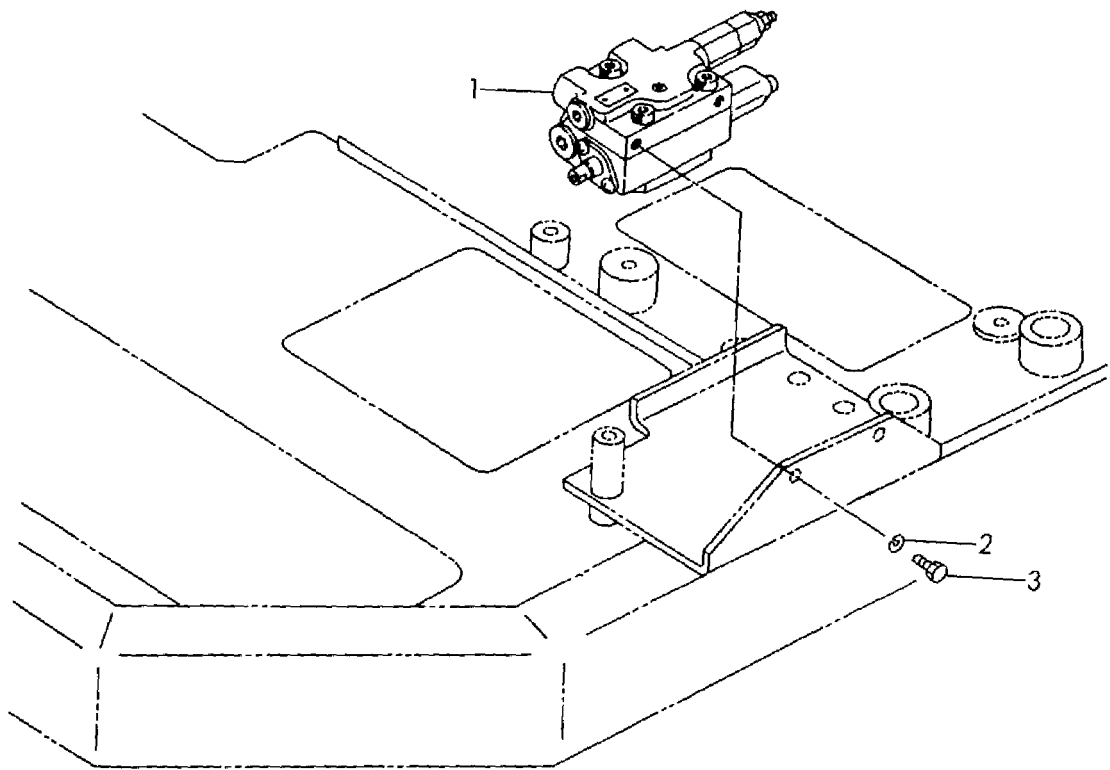
1,1,,172162-74110,, "VALVE COMP.,CONTROL",1,1,,,,,,,,,,,,,  
1-1,1,,172162-74111,, "VALVE  
COMP.,CONTROL",1,1,1,1,1,,S,,72168272,M01167,72168272,M01167,,,,,,,,,I  
2,2,,172162-74900,, "SPOOL COMP.,SOLENOID",1,1,1,1,1,,,,,,,,,,,,,  
5,2,,172162-74910,, "SPOOL COMP.,SOLENOID",1,1,1,1,1,,,,,,,,,,,,,  
8,2,,172162-74720,,SPOOL,1,1,1,1,1,,,,,,,,,,,,,  
9,2,,172162-74730,,SPOOL,1,1,1,1,1,,,,,,,,,,,,,  
10,2,,172162-74960,, "VALVE COMP.,REDUCING",1,1,1,1,1,,,,,,,,,,,,,  
15,2,,172162-74930,, "VALVE COMP.,RELIEF",1,1,1,1,1,,,,,,,,,,,,,  
23,2,,172162-74920,, "PLUG KIT",1,1,1,1,1,,,,,,,,,,,,,  
26,2,,172162-74950,, "SOLENOID COMPL.",1,1,1,1,1,,,,,,,,,,,,,  
26-1,2,,172162-74951,, "SOLENOID  
COMPL.",1,1,1,1,1,,S,,72168272,M01167,72168272,M01167,72168272,M01167,72168272,M  
01167,72168272,M01167,,,I  
30,2,,172162-74890,, "VALVE,SOLENOID",1,1,1,1,1,,,,,,,,,,,,,  
31,2,,172162-74940,, "PLUG COMPL.",1,1,1,1,1,,,,,,,,,,,,,  
34,1,,26013-080202,, "BOLT W/WASHER M8X20",4,4,4,4,4,,,,,,,,,,,,,

Fig. 60 制御バルブ  
CONTROL VALVE



1,1,,172162-74140,, "VALVE COMPL.",1,1,1,1,1,,,,,,,,,,,,,  
2,1,,22217-080000,, "SPRING WASHER 8",2,2,2,2,2,,,,,,,,,,,,,  
3,1,,26116-080162,, "BOLT 8X16",2,2,2,2,2,,,,,,,,,,,,,

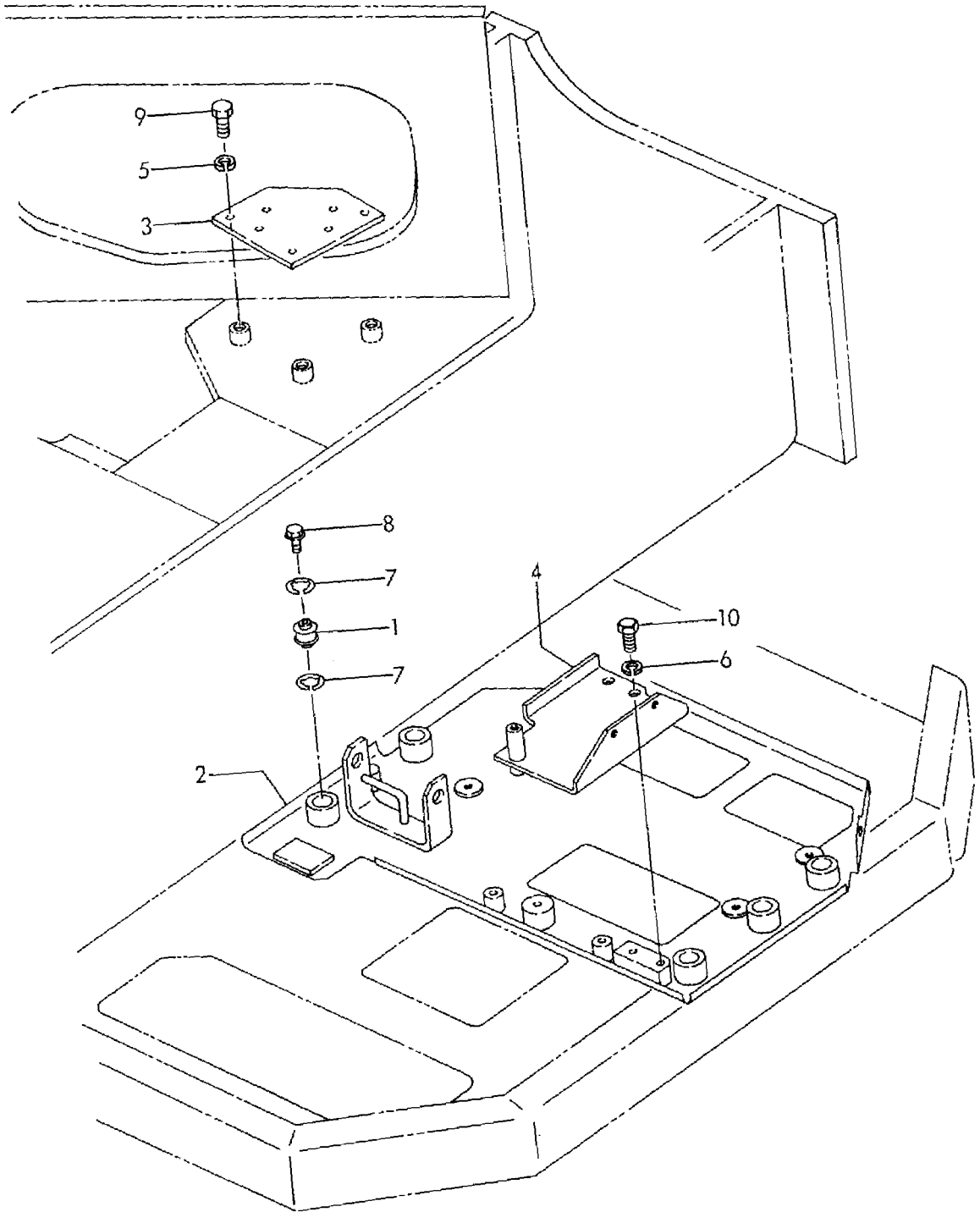
Fig. 61 オフセットバルブ  
OFF-SET VALVE





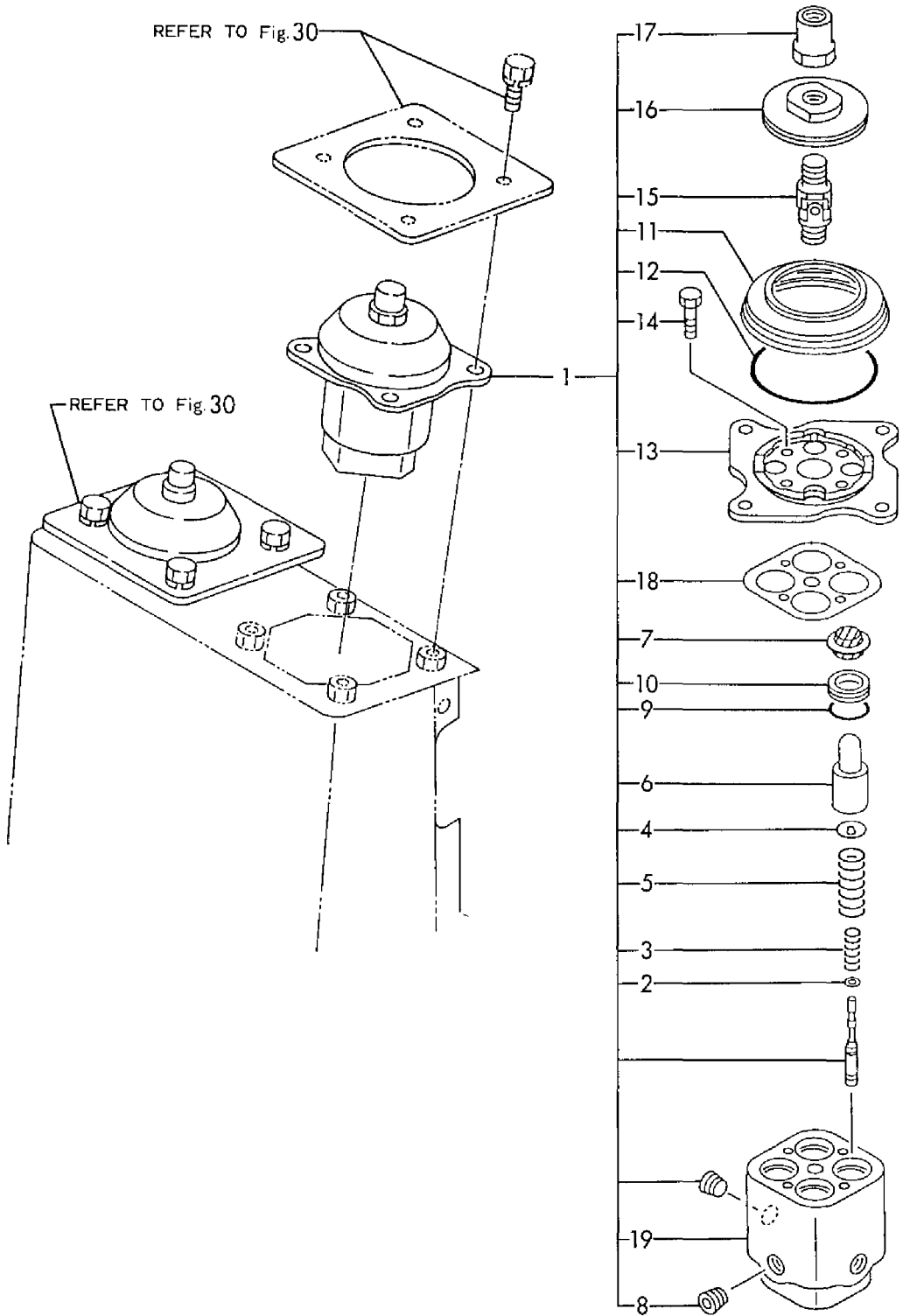
1,1,,172151-45460,,CUSHION,6,6,6,6,6,,,,,,,,,,,,,  
2,1,,172162-71300,,,"MOUNT COMP.,VALVE",1,1,1,1,1,,,,,,,,,,,,,  
3,1,,172162-71400,,,"MOUNT,CONTROL VALVE",1,1,1,1,1,,,,,,,,,,,,,  
4,1,,172162-71420,,,"MOUNT A COMP.,VALVE",1,1,1,1,1,,,,,,,,,,,,,  
5,1,,22217-100000,,,"SPRING WASHER 10",3,3,3,3,3,,,,,,,,,,,,,  
6,1,,22217-120000,,,"SPRING WASHER",2,2,2,2,2,,,,,,,,,,,,,  
7,1,,22252-000280,,,"CIRCLIP 28",12,12,12,12,12,,,,,,,,,,,,,  
8,1,,26106-100402,,,"BOLT M10X 40 PLATED",6,6,6,6,6,,,,,,,,,,,,,  
9,1,,26116-100202,,,"BOLT M10X 20 PLATED",3,3,3,3,3,,,,,,,,,,,,,  
10,1,,26116-120302,,,"BOLT M12X 30 PLATED",2,2,2,2,2,,,,,,,,,,,,,

Fig. 62 バルブマウント  
VALVE MOUNT



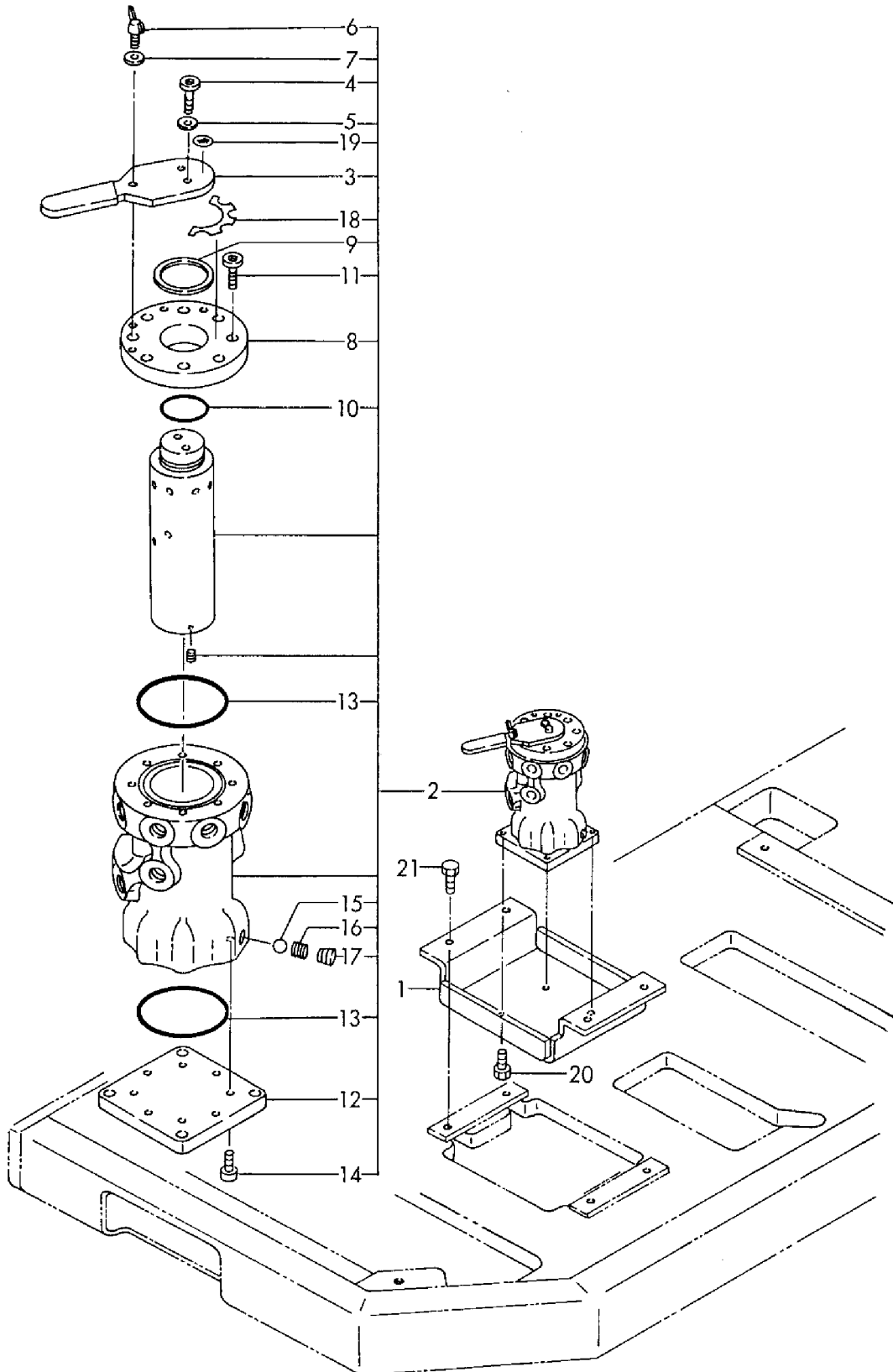
1,1,,172151-74610,, "VALVE ASSY,RMT.CONT.",2,2,,,,,,,,,,,,,  
1-1,1,,172151-74611,, "VALVE  
ASSY,RMT.CONT.",2,2,2,2,2,2,,R,,72164307,M01155,72164307,M01155,,,,,,,,,I  
2,2,,172151-74860,, "SHIM(COUNT. SET",8,8,8,8,8,,,,,,,,,,,,,  
3,2,,172151-74870,, SPRING,8,8,8,8,8,,,,,,,,,,,,,  
4,2,,172151-74880,, RETAINER,8,8,8,8,8,,,,,,,,,,,,,  
5,2,,172151-74890,, "SP (SYN.",8,8,8,8,8,,,,,,,,,,,,,  
6,2,,172151-74900,, PISTON,8,8,8,8,8,,,,,,,,,,,,,  
7,2,,172151-74910,, SEAL,8,8,8,8,8,,,,,,,,,,,,,  
8,2,,172151-74990,, PLUG,4,4,,,,,,,,,,,,,  
8-1,2,,172164-  
74560,, PLUG,4,4,4,4,4,,S,,72164356,M01155,72164356,M01155,,,,,,,,,I  
9,2,,24311-000200,, "O-RING 1A P-20.0",8,8,8,8,8,,,,,,,,,,,,,  
10,2,,172151-74920,, COLLAR,8,8,,,,,,,,,,,,,  
10-1,2,,172164-  
74610,, COLLAR,8,8,8,8,8,,S,,72164356,M01155,72164356,M01155,,,,,,,,,I  
11,2,,172151-74930,, BOOT,2,2,2,2,2,,,,,,,,,,,,,  
12-1,2,,24321-000700,, "O-RING 1A G-70.0",2,2,2,2,2,,M,,,,,,,,,I  
13,2,,172151-74940,, PLATE,2,2,2,2,2,,,,,,,,,,,,,  
14,2,,26116-060202,, "BOLT M 6X 20",8,8,8,8,8,,,,,,,,,,,,,  
15,2,,172151-74950,, UNION,2,2,2,2,2,,,,,,,,,,,,,  
16,2,,172151-74960,, DISK,2,2,,,,,,,,,,,,,  
16-1,2,,172164-  
74620,, DISC,2,2,2,2,2,,S,,72164356,M01155,72164356,M01155,,,,,,,,,I  
17,2,,172151-74970,, NUT,2,2,,,,,,,,,,,,,  
17-1,2,,172164-  
74630,, NUT,2,2,2,2,2,,S,,72164356,M01155,72164356,M01155,,,,,,,,,I  
18,2,,172151-74980,, PLATE,2,2,2,2,2,,,,,,,,,,,,,  
19,2,,172164-74650,, PLUG,4,4,4,4,4,,W,,72164360,M01155,72164360,M01155,,,,,,,,,I

Fig. 63 リモコンバルブ  
REMOTE CONTROL VALVE



1,1,,172162-74210,, "BRACKET COMPL.",1,1,,,,,,,,,,,,,  
2,1,,172151-74600,, "VALVE CMP,MULTICHNG.",1,1,,,,,,,,,,,,,  
3,2,,172151-74700,, LEVER,1,1,,,,,,,,,,,,,  
4,2,,26450-060162,, "BOLT M 6X 16",2,2,,,,,,,,,,,,,  
5,2,,172151-74760,, WASHER,2,2,,,,,,,,,,,,,  
6,2,,26647-060202,, "WING BOLT M 6X20",1,1,,,,,,,,,,,,,  
7,2,,172151-74760,, WASHER,1,1,,,,,,,,,,,,,  
8,2,,172151-74710,, COVER,1,1,,,,,,,,,,,,,  
9,2,,172151-74770,, "GASKET, CYL. HEAD",1,1,,,,,,,,,,,,,  
10,2,,24311-000280,, "O-RING 1A P-28.0",1,1,,,,,,,,,,,,,  
11,2,,26450-060162,, "BOLT M 6X 16",8,8,,,,,,,,,,,,,  
12,2,,172151-74720,, COVER,1,1,,,,,,,,,,,,,  
13,2,,24321-000600,, "O-RING 1A G-60.0",2,2,,,,,,,,,,,,,  
14,2,,26450-060162,, "BOLT M 6X 16",8,8,,,,,,,,,,,,,  
15,2,,24190-100001,, "BALL 5/16, STEEL",1,1,,,,,,,,,,,,,  
16,2,,172151-74730,, SPRING,1,1,,,,,,,,,,,,,  
17,2,,23871-010000,, "PLUG PT1/8,SCREW",1,1,,,,,,,,,,,,,  
18,2,,172151-74740,, "PLATE, MARK",1,1,,,,,,,,,,,,,  
19,2,,172151-74750,, "PLATE, MARK",1,1,,,,,,,,,,,,,  
20,1,,26013-100252,, "BOLT W/WASHER M10X25",4,4,,,,,,,,,,,,,  
21,1,,26013-120302,, "BOLT W/WASHER M12X30",4,4,,,,,,,,,,,,,

Fig. 64 ロータリバルブ(マルチチェンジ)(オプション)  
 ROTARY VALVE(MULTI CHANGE)(OPTIONAL)



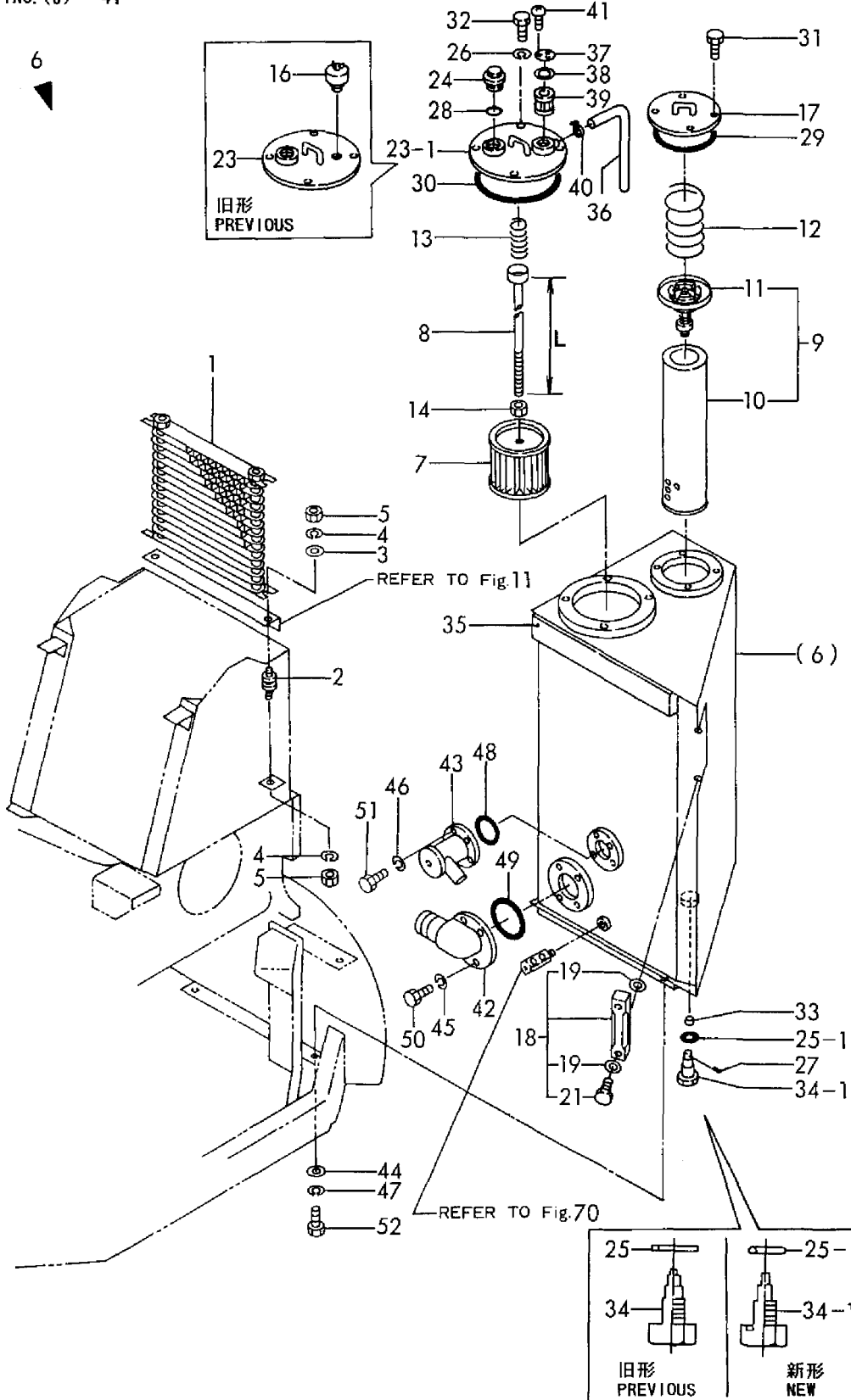
1,1,,172158-74800,, "OIL COOLER",1,1,,,,,,,,,,,,,  
1-1,1,,172162-74800,, "COOLER,OIL",1,1,1,1,1,,N,,72162227,"FROM  
1ST",72162227,"FROM 1ST",,,,,,  
1-2,1,,172162-  
74801,, "COOLER,OIL",1,1,1,1,1,,F,4,72162477,M/#01175,72162477,M/#01175,72162477,  
M/#01175,72162477,M/#01175,72162477,M/#01175,,,,I  
2,1,,172158-74850,, "MOUNT, OIL COOLER",4,4,4,4,4,,,,,,,,,,,,,  
3,1,,22137-080000,, "WASHER 8, POLISHED",4,4,4,4,4,,,,,,,,,,,,,  
4,1,,22217-080000,, "SPRING WASHER 8",8,8,8,8,8,,,,,,,,,,,,,  
5,1,,26716-080002,, "NUT M 8",8,8,8,8,8,,,,,,,,,,,,,  
6,1,,772162-75100,, "TANK ASSY,HYD.OIL",1,1,,,,,,,,,,,,,  
6-1,1,,772162-75101,, "TANK  
ASSY,HYD.OIL",1,1,1,1,1,,S,,72162375,M00653,72162375,M00653,,,,,,,,,I  
7,2,,172162-73700,, "STRAINER,SUCTION",1,1,1,1,1,,,,,,,,,,,,,  
8,2,,172162-73720,, "BAR,FILTER SUPPORT",1,1,,,,,,,,,,,,,  
8-1,2,,172162-73721,, "ROD, FILTER  
SUPPORT",1,1,1,1,1,,S,1,72162375,M00653,72162375,M00653,,,,,,,,,I  
9,2,,172162-73740,, "FILTER COMP.,RETURN",1,1,1,1,1,,,,,,,,,,,,,  
10,3,,172162-73710,, "FILTER,RETURN",1,1,1,1,1,,,,,,,,,,,,,  
11,3,,172112-74971,, "VALVE, BY-PASS",1,1,1,1,1,,,,,,,,,,,,,  
12,2,,172112-75770,, "SPRING, STRAINER",1,1,1,1,1,,,,,,,,,,,,,  
13,2,,172112-75780,, "SPRING, STRAINER",1,1,1,1,1,,,,,,,,,,,,,  
14,2,,26716-100002,, "NUT 10",1,1,1,1,1,,,,,,,,,,,,,  
16,2,,172312-75130,, "BREATHER,  
AIR",1,1,,,,,Z,,72162269,M00636,72162269,M00636,,,,,,,,,  
17,2,,172122-75331,, "COVER (B), RESERVOIR",1,1,1,1,1,,,,,,,,,,,,,  
18,2,,172162-75360,, "GAUGE COMPL.",1,1,1,1,1,,,,,,,,,,,,,  
19,3,,172162-75380,, "WASHER,GAUGE SEAL",4,4,,,,,,,,,,,,,  
19-1,3,,172122-  
75630,, GASKET,4,4,4,4,4,,N,,72162334,M00563,72162334,M00563,,,,,,,,,I  
21,3,,172122-75620,, BOLT,2,2,2,2,2,,,,,,,,,,,,,  
23,2,,172162-75370,, "COVER CMP.,RESERVOIR",1,1,,,,,,,,,,,,,  
23-1,2,,172162-  
75372,, COVER,1,1,1,1,1,,F,3,72162360,M00636,72162360,M00636,,,,,,,,,I  
23A,2,,172162-  
75371,, COVER,1,1,,,,,F,,72162269,¼P&¼P,72162269,¼P&¼P,,,,,,,,,I  
24,2,,172116-75850,, "PLUG, OIL FEED",1,1,1,1,1,,,,,,,,,,,,,  
25,2,,22134-240000,, "WASHER 24",1,1,,,,,,,,,,,,,  
25-1,2,,24341-000300,, "O-RING 1A S-  
30.0",1,1,1,1,1,,S,,72183020,M01049,72183020,M01049,,,,,,,,,I  
26,2,,22217-100000,, "SPRING WASHER 10",4,4,4,4,4,,,,,,,,,,,,,  
27,2,,22417-200160,, "COTTER PIN 2.0X16",1,1,1,1,1,,,,,,,,,,,,,  
28,2,,24311-000380,, "O-RING 1A P-38.0",1,1,1,1,1,,,,,,,,,,,,,  
29,2,,24321-0001350,, "O-RING 1A G-135.0",1,1,1,1,1,,,,,,,,,,,,,  
30,2,,24321-001900,, "O-RING 1A G-190.0",1,1,1,1,1,,,,,,,,,,,,,  
31,2,,26013-100202,, "BOLT W/WASHER M10X20",4,4,4,4,4,,,,,,,,,,,,,  
32,2,,26116-100202,, "BOLT M10X 20 PLATED",4,4,4,4,4,,,,,,,,,,,,,  
33,2,,933171-23042,, MAGNET,1,1,1,1,1,,,,,,,,,,,,,  
34,2,,933171-23062,, "PLUG 24, DRAIN",1,1,,,,,,,,,,,,,  
34-1,2,,172183-75750,, "PLUG 24,  
DRAIN",1,1,1,1,1,,F,2,72183020,M01049,72183020,M01049,,,,,,,,,I  
35,2,,172162-61780,, "SEAL,RESERVOIR",1,1,1,1,1,,,,,,,,,,,,,  
36,2,,172162-75440,, HOSE,1,1,1,1,1,,W,,72162269,M00636,72162269,M00636,,,,,,,,,I  
37,2,,172165-  
75450,, PLATE,1,1,1,1,1,,W,,72162269,M00636,72162269,M00636,,,,,,,,,I  
38,2,,172165-  
75460,, GASKET,1,1,1,1,1,,W,,72162269,M00636,72162269,M00636,,,,,,,,,I  
39,2,,172165-  
75481,, ELEMENT,1,1,1,1,1,,W,,72162360,M00636,72162360,M00636,,,,,,,,,I  
40,2,,23080-010000,, "CLAMP  
10",1,1,1,1,1,,W,,72162269,M00636,72162269,M00636,,,,,,,,,I  
41,2,,26022-050102,, "SCREW M 5X  
10",3,3,3,3,3,,W,,72162269,M00636,72162269,M00636,,,,,,,,,I

42,1,,172162-75290,, "CONNECTOR,SUCTION",1,1,1,1,1,,,,,,,,,,,,,  
43,1,,172162-75300,, "CONNECTOR CMP,RETURN",1,1,1,1,1,,,,,,,,,,,,,  
44,1,,22137-160000,, "WASHER 16,POLISHED",4,4,4,4,4,,,,,,,,,,,,,  
45,1,,22217-100000,, "SPRING WASHER 10",4,4,4,4,4,,,,,,,,,,,,,  
46,1,,22217-100000,, "SPRING WASHER 10",4,4,4,4,4,,,,,,,,,,,,,  
47,1,,22217-160000,, "SPRING WASHER 16",4,4,4,4,4,,,,,,,,,,,,,  
48,1,,24321-000650,, "O-RING 1A G-65.0",1,1,1,1,1,,,,,,,,,,,,,  
49,1,,24321-000950,, "O-RING 1A G-95.0",1,1,1,1,1,,,,,,,,,,,,,  
50,1,,26116-100202,, "BOLT M10X 20 PLATED",4,4,4,4,4,,,,,,,,,,,,,  
51,1,,26116-100202,, "BOLT M10X 20 PLATED",4,4,4,4,4,,,,,,,,,,,,,  
52,1,,26116-160352,, "BOLT M16X 35 PLATED",4,4,4,4,4,,,,,,,,,,,,,



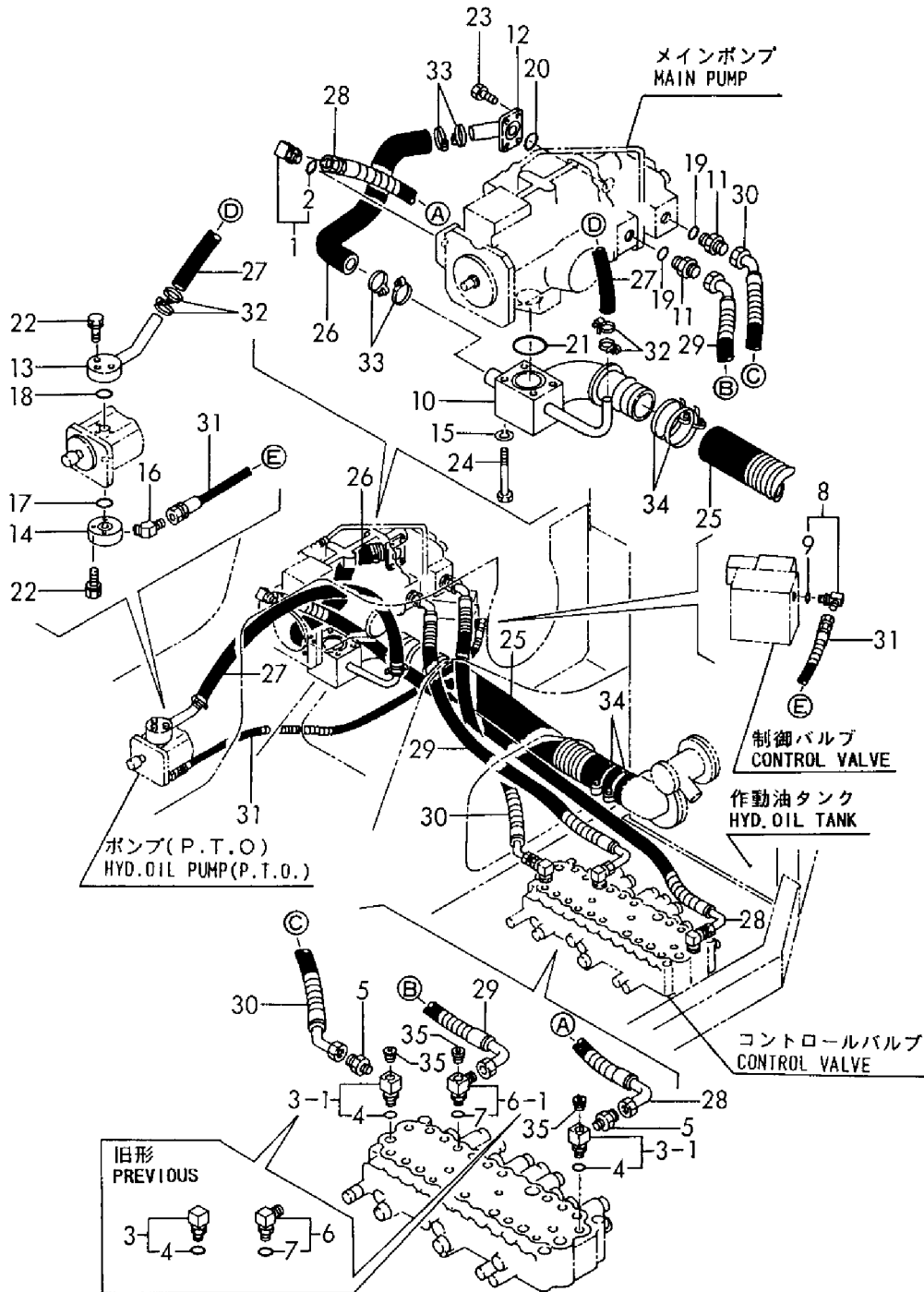
# Fig. 65 作動油タンク & オイルクーラ HYD. OIL TANK & LUB. OIL COOLER

見出しNo. 6は  
見出しNo. (6)から41を含みます。  
6 INC. (6) ~ 41



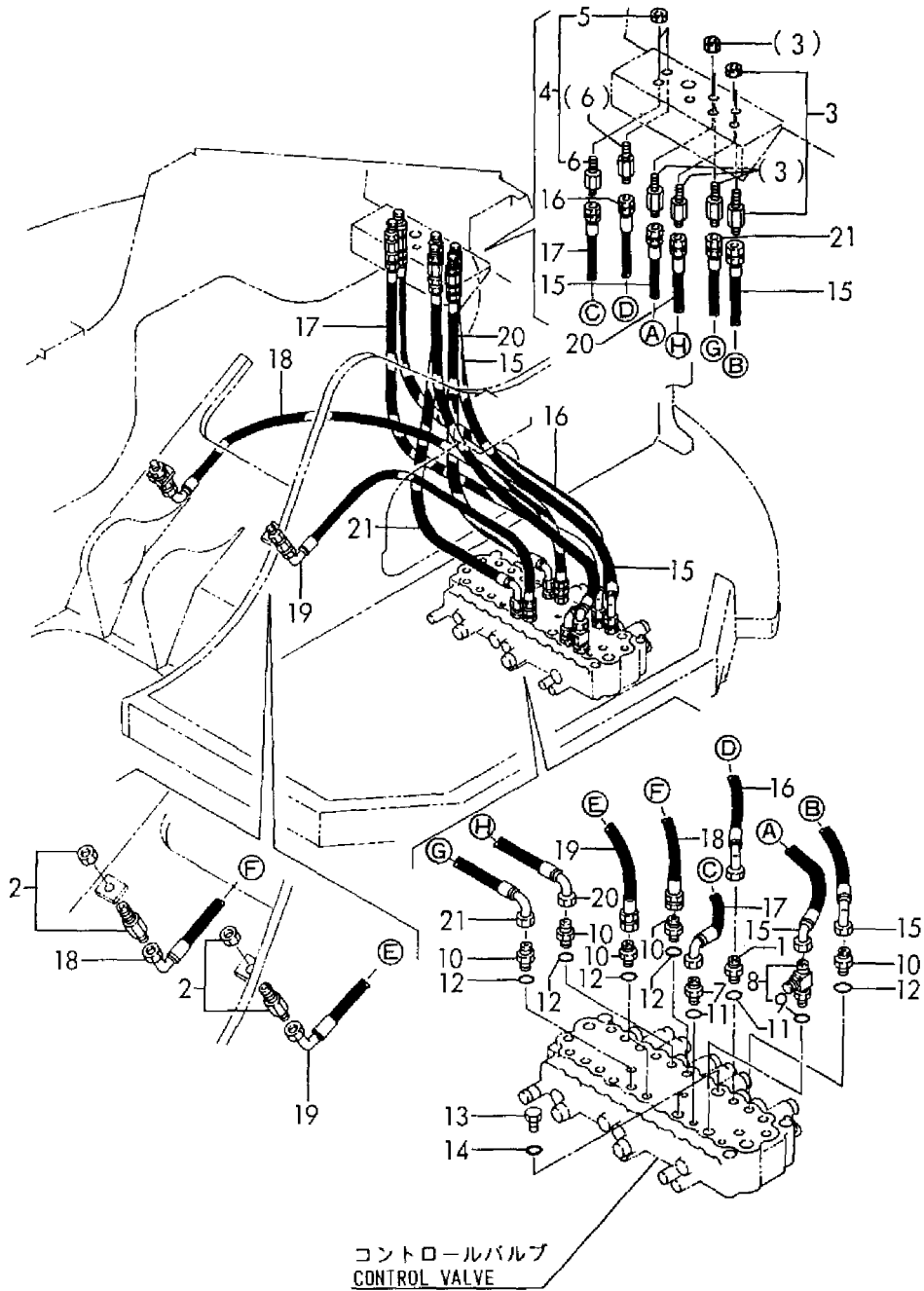
1,1,,172141-76090,, "CONNECTOR 3/4L",1,1,1,1,1,,,,,,,,,,,,,  
2,2,,24315-000240,, "O-RING 1B P-24.0",1,1,1,1,1,,,,,,,,,,,,,  
3,1,,172122-76131,, "CONNECTOR PT1/2-45",2,2,,,,,,,,,,,,,  
3-1,1,,172162-76680,, "CONNECTOR PT1/2-  
45",2,2,2,2,2,,F,1,72162220,M00502,72162220,M00502,,,,,,,,,  
4,2,,24315-000180,, "O-RING 1B P-18.0",2,2,2,2,2,,,,,,,,,,,,,  
5,1,,172162-76140,, "ADAPTER 1/2-3/4",2,2,2,2,2,,,,,,,,,,,,,  
6,1,,172151-76160,, ELBOW,1,1,,,,,,,,,,,,,  
6-1,1,,172162-76690,, "ELBOW PF1/2-3/4  
CMP.",1,1,1,1,1,,F,1,72162220,M00502,72162220,M00502,,,,,,,,,  
7,2,,24315-000180,, "O-RING 1B P-18.0",1,1,1,1,1,,,,,,,,,,,,,  
8,1,,172142-76180,, JOINT,1,1,1,1,1,,,,,,,,,,,,,  
9,2,,24315-000140,, "O-RING 1B P-14.0",1,1,1,1,1,,,,,,,,,,,,,  
10,1,,172162-76200,, "TUBE COMP.,SUCTION",1,1,1,1,1,,,,,,,,,,,,,  
11,1,,172142-76240,, "JOINT PF3/4",2,2,2,2,2,,,,,,,,,,,,,  
12,1,,172162-76260,, "CONNECTOR,PUMP",1,1,1,1,1,,,,,,,,,,,,,  
13,1,,172162-76270,, "FLANGE COMP.,PUMP IN",1,1,1,1,1,,,,,,,,,,,,,  
14,1,,172162-76300,, "FLANGE,PUMP OUTLET",1,1,1,1,1,,,,,,,,,,,,,  
15,1,,22217-100000,, "SPRING WASHER 10",4,4,4,4,4,,,,,,,,,,,,,  
16,1,,23394-030000,, "JOINT 45RGI 3/8",1,1,1,1,1,,,,,,,,,,,,,  
17,1,,24315-000210,, "O-RING 1B P 21",1,1,1,1,1,,,,,,,,,,,,,  
18,1,,24315-000220,, "O-RING 1B P-22.0",1,1,1,1,1,,,,,,,,,,,,,  
19,1,,24315-000240,, "O-RING 1B P-24.0",2,2,2,2,2,,,,,,,,,,,,,  
20,1,,24325-000350,, "O-RING 1B G-35.0",1,1,1,1,1,,,,,,,,,,,,,  
21,1,,24325-000600,, "O-RING 1B G-60.0",1,1,1,1,1,,,,,,,,,,,,,  
22,1,,26013-060402,, "BOLT M 6X 40",6,6,6,6,6,,,,,,,,,,,,,  
23,1,,26013-100202,, "BOLT W/WASHER M10X20",4,4,4,4,4,,,,,,,,,,,,,  
24,1,,26116-101052,, "BOLT M10X105 PLATED",4,4,4,4,4,,,,,,,,,,,,,  
25,1,,172162-78100,, "HOSE 63.5,SUCTION",1,1,1,1,1,,,,,,,,,,,,,  
26,1,,172162-78110,, "HOSE 29.5,SUCTION",1,1,1,1,1,,,,,,,,,,,,,  
27,1,,172162-78120,, "HOSE 19,SUCTION",1,1,1,1,1,,,,,,,,,,,,,  
28,1,,172162-78130,, "HOSE G112BC177S",1,1,1,1,1,,,,,,,,,,,,,  
29,1,,172162-78140,, "HOSE G112CE100S",1,1,1,1,1,,,,,,,,,,,,,  
30,1,,172162-78150,, "HOSE G112EE105S",1,1,1,1,1,,,,,,,,,,,,,  
31,1,,172162-78860,, "HOSE H106BB113S",1,1,1,1,1,,,,,,,,,,,,,  
32,1,,23000-041000,, "CLAMP 41",4,4,4,4,4,,,,,,,,,,,,,  
33,1,,23000-048000,, "CLAMP 48",4,4,4,4,4,,,,,,,,,,,,,  
34,1,,23000-090000,, "CLAMP 90",4,4,4,4,4,,,,,,,,,,,,,  
35,1,,23871-010000,, "PLUG  
PT1/8,SCREW",3,3,3,3,3,,W,,72162220,M00502,72162220,M00502,,,,,,,,,

Fig. 66 油圧配管(タンク-ポンプ-バルブ)  
 HYD. OIL PIPING(TANK-PUMP-VALVE)



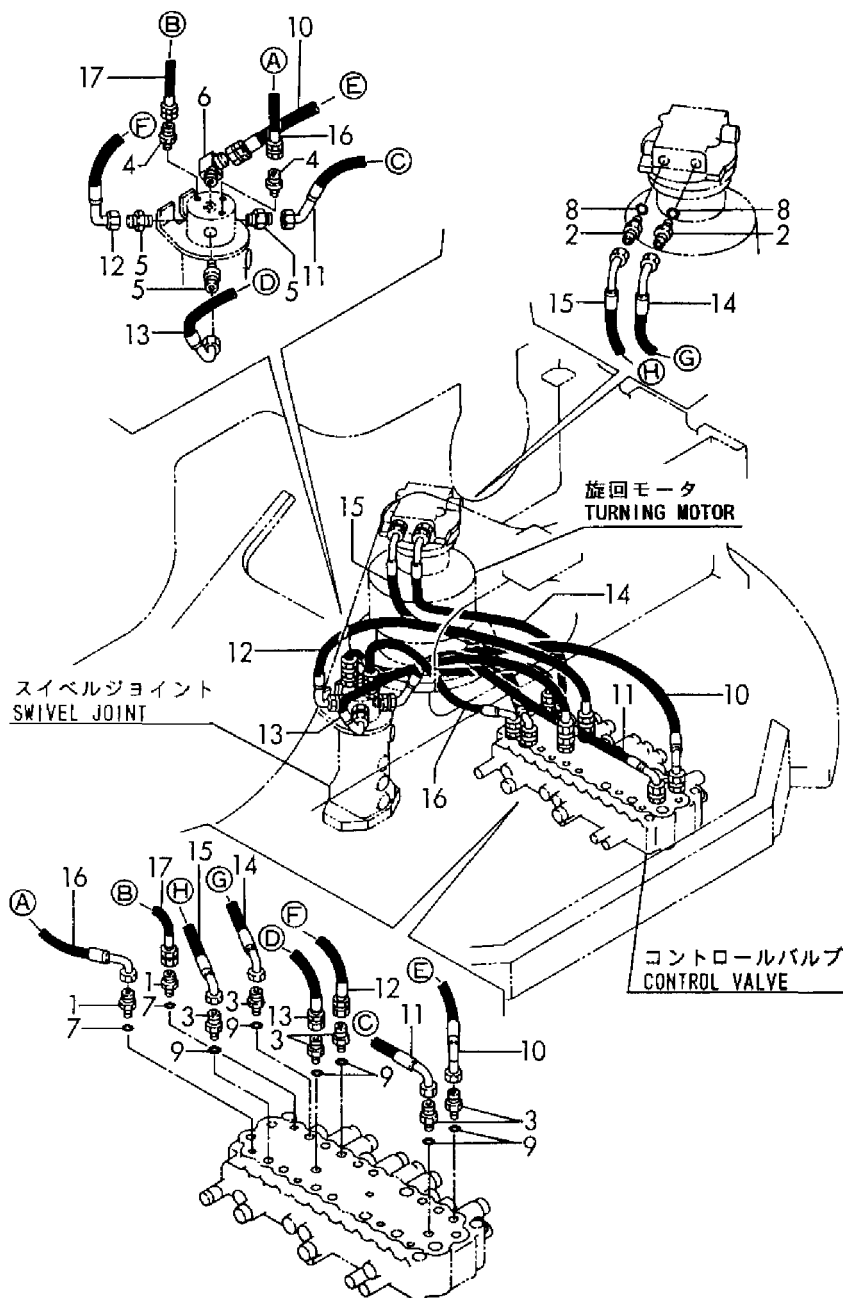
1,1,,172730-75140,,ADAPTOR,1,1,1,1,1,,,,,,,,,,,,,  
2,1,,172162-76110,, "JOINT 1/2",2,2,2,2,2,,,,,,,,,,,,,  
3,1,,172162-76110,, "JOINT 1/2",4,4,4,4,4,,,,,,,,,,,,,  
4,1,,172162-76120,, "JOINT 3/8",2,2,2,2,2,,,,,,,,,,,,,  
5,2,,172145-76200,, "NUT 3/8",2,2,2,2,2,,,,,,,,,,,,,  
6,2,,172162-76360,, "JOINT 3/8",2,2,2,2,2,,,,,,,,,,,,,  
7,1,,172162-76130,, "ADAPTER,DOUBLE MALE",1,1,1,1,1,,,,,,,,,,,,,  
8,1,,172162-76170,, "T-JOINT COMPL.",1,1,1,1,1,,,,,,,,,,,,,  
9,2,,24315-000180,, "O-RING 1B P-18.0",1,1,1,1,1,,,,,,,,,,,,,  
10,1,,172112-77360,, "CONNECTOR PF1/2PF1/2",5,5,5,5,5,,,,,,,,,,,,,  
11,1,,24315-000140,, "O-RING 1B P-14.0",2,2,2,2,2,,,,,,,,,,,,,  
12,1,,24315-000180,, "O-RING 1B P-18.0",5,5,5,5,5,,,,,,,,,,,,,  
13,1,,23897-060002,, "PLUG PF3/4,HEX.",2,2,,,,,,,,,,,,,  
13-1,1,,172162-76850,, "PLUG PF3/8",2,2,2,2,2,,N,,72162337, "FROM  
1ST",72162337, "FROM 1ST",,,,,,,,,,I  
14,1,,24315-000240,, "O-RING 1B P-24.0",2,2,2,2,2,,,,,,,,,,,,,  
15,1,,172162-78200,, "HOSE H108BC110",2,2,2,2,2,,,,,,,,,,,,,  
16,1,,172162-78220,,HOSE,1,1,1,1,1,,,,,,,,,,,,,  
17,1,,172162-78230,,HOSE,1,1,1,1,1,,,,,,,,,,,,,  
18,1,,172162-78260,,HOSE,1,1,1,1,1,,,,,,,,,,,,,  
19,1,,172162-78270,,HOSE,1,1,1,1,1,,,,,,,,,,,,,  
20,1,,172162-78280,,HOSE,1,1,1,1,1,,,,,,,,,,,,,  
21,1,,172162-78290,,HOSE,1,1,1,1,1,,,,,,,,,,,,,

Fig. 67 油圧配管(バルブ-ブーム)  
 HYD. OIL PIPING (VALVE-BOOM)



1,1,,172730-75140,,ADAPTOR,2,2,2,2,2,,,,,,,,,,,,,  
2,1,,172112-77360,, "CONNECTOR PF1/2PF1/2",2,2,2,2,2,,,,,,,,,,,,,  
3,1,,172112-77360,, "CONNECTOR PF1/2PF1/2",6,6,6,6,6,,,,,,,,,,,,,  
4,1,,23391-030000,, "JOINT RGI 3/8",2,2,2,2,2,,,,,,,,,,,,,  
5,1,,23391-040000,, "JOINT RGI 1/2",3,3,3,3,3,,,,,,,,,,,,,  
6,1,,23393-040000,, "JOINT 90RGI 1/2",1,1,1,1,1,,,,,,,,,,,,,  
7,1,,24315-000140,, "O-RING 1B P-14.0",2,2,2,2,2,,,,,,,,,,,,,  
8,1,,24315-000180,, "O-RING 1B P-18.0",2,2,2,2,2,,,,,,,,,,,,,  
9,1,,24315-000180,, "O-RING 1B P-18.0",6,6,6,6,6,,,,,,,,,,,,,  
10,1,,172162-78180,,HOSE,1,1,1,1,1,,,,,,,,,,,,,  
11,1,,172162-78190,,HOSE,1,1,1,1,1,,,,,,,,,,,,,  
12,1,,172162-78300,, "HOSE H108BC101",1,1,1,1,1,,,,,,,,,,,,,  
13,1,,172162-78310,, "HOSE H108BC096",1,1,1,1,1,,,,,,,,,,,,,  
14,1,,172162-78320,, "HOSE H108CC060",1,1,1,1,1,,,,,,,,,,,,,  
15,1,,172162-78330,, "HOSE H108CC059",1,1,1,1,1,,,,,,,,,,,,,  
16,1,,172162-78340,, "HOSE H106BC050",1,1,1,1,1,,,,,,,,,,,,,  
17,1,,172162-78620,, "HOSE H106BC067",1,1,1,1,1,,,,,,,,,,,,,

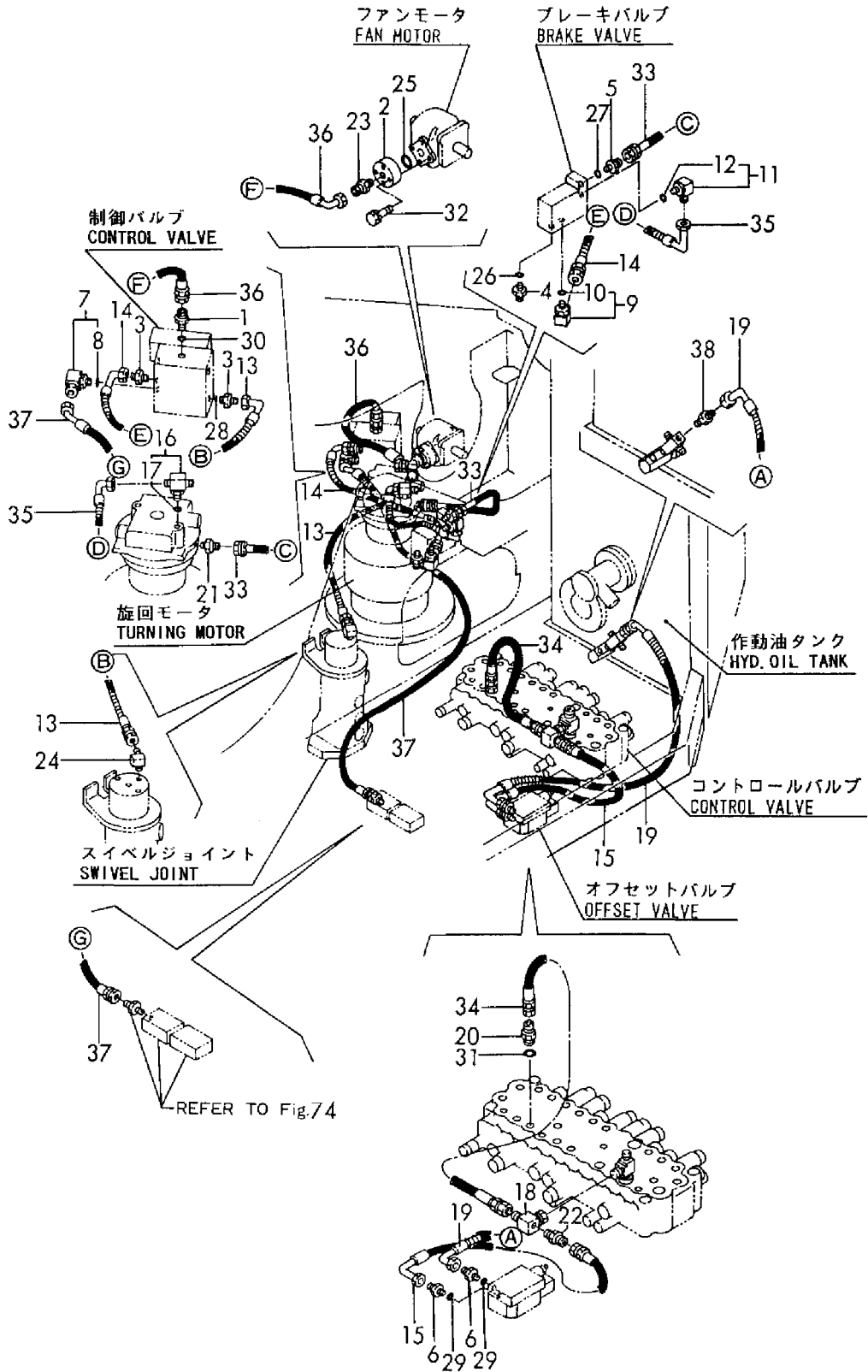
Fig. 68 油圧配管(バルブ-旋回モータ, スイベル)  
 HYD. OIL PIPING (VALVE-TURNING MOTOR, SWIVEL)



1,1,,172730-75140,,ADAPTOR,1,1,1,1,1,,,,,,,,,,,,,  
2,1,,172732-76100,,,"FLANGE, PUMP",1,1,,,,,,,,,,,,,  
2-1,1,,172732-76101,,,"FLANGE,  
PUMP",1,1,1,1,1,,F,1,72162270,M00511,72162270,M00511,,,,,,,,,I  
3,1,,172123-76120,,,"CONNECTOR PF1/4",2,2,2,2,2,,,,,,,,,,,,,  
4,1,,172123-76120,,,"CONNECTOR PF1/4",1,1,1,1,1,,,,,,,,,,,,,  
5,1,,172123-76120,,,"CONNECTOR PF1/4",1,1,1,1,1,,,,,,,,,,,,,  
6,1,,172123-76120,,,"CONNECTOR PF1/4",2,2,2,2,2,,,,,,,,,,,,,  
7,1,,172141-76180,,CONNECTOR,1,1,1,1,1,,,,,,,,,,,,,  
8,2,,24315-000110,,,"O-RING 1B P-11.0",1,1,1,1,1,,,,,,,,,,,,,  
9,1,,172141-76180,,CONNECTOR,1,1,1,1,1,,,,,,,,,,,,,  
10,2,,24315-000110,,,"O-RING 1B P-11.0",1,1,1,1,1,,,,,,,,,,,,,  
11,1,,172141-76180,,CONNECTOR,1,1,1,1,1,,,,,,,,,,,,,  
12,2,,24315-000110,,,"O-RING 1B P-11.0",1,1,1,1,1,,,,,,,,,,,,,  
13,1,,172162-78870,,,"HOSE G604BC088S",1,1,,,,,,,,,,,,,  
13-1,1,,172162-  
78871,,HOSE,1,1,1,1,1,,N,,72162393,M00720,72162393,M00720,,,,,,,,,I  
14,1,,172162-78900,,,"HOSE G604BC100",1,1,,,,,,,,,,,,,  
14-1,1,,172162-  
78901,,HOSE,1,1,1,1,1,,N,,72162393,M00720,72162393,M00720,,,,,,,,,I  
15,1,,172162-79150,,,"HOSE G604BC035",1,1,1,1,1,,,,,,,,,,,,,  
16,1,,172141-76200,,CONNECTOR,1,1,1,1,1,,,,,,,,,,,,,  
17,2,,24315-000110,,,"O-RING 1B P-11.0",1,1,1,1,1,,,,,,,,,,,,,  
18,1,,172162-76780,,,"ADAPTER PF1/2",1,1,1,1,1,,,,,,,,,,,,,  
19,1,,172162-79160,,,"HOSE G604CC080",1,1,,,,,,,,,,,,,  
19-1,1,,172162-  
79161,,HOSE,1,1,1,1,1,,N,,72162393,M00720,72162393,M00720,,,,,,,,,I  
20,1,,172112-77360,,,"CONNECTOR PF1/2PF1/2",1,1,1,1,1,,,,,,,,,,,,,  
21,1,,23391-020000,,,"JOINT RGI1/4",1,1,1,1,1,,,,,,,,,,,,,  
22,1,,23391-020000,,,"JOINT RGI1/4",1,1,1,1,1,,,,,,,,,,,,,  
23,1,,23391-030000,,,"JOINT RGI 3/8",1,1,1,1,1,,,,,,,,,,,,,  
24,1,,23393-020000,,,"JOINT 90RGI1/4",1,1,1,1,1,,,,,,,,,,,,,  
25,1,,24311-000200,,,"O-RING 1A P-20.0",1,1,,,,,,,,,,,,,  
25-1,1,,24315-000210,,,"O-RING 1B P  
21",1,1,1,1,1,,S,,72162270,M00511,72162270,M00511,,,,,,,,,I  
26,1,,24315-000110,,,"O-RING 1B P-11.0",1,1,1,1,1,,,,,,,,,,,,,  
27,1,,24315-000110,,,"O-RING 1B P-11.0",1,1,1,1,1,,,,,,,,,,,,,  
28,1,,24315-000110,,,"O-RING 1B P-11.0",2,2,2,2,2,,,,,,,,,,,,,  
29,1,,24315-000110,,,"O-RING 1B P-11.0",2,2,2,2,2,,,,,,,,,,,,,  
30,1,,24315-000140,,,"O-RING 1B P-14.0",1,1,1,1,1,,,,,,,,,,,,,  
31,1,,24315-000180,,,"O-RING 1B P-18.0",1,1,1,1,1,,,,,,,,,,,,,  
32,1,,26013-060302,,,"BOLT M 6X 30",4,4,4,4,4,,,,,,,,,,,,,  
33,1,,172162-76520,,,"TUBE G COMP.,TIMER",1,1,1,1,1,,,,,,,,,,,,,  
34,1,,172162-78210,,,"HOSE H108BB040",1,1,1,1,1,,,,,,,,,,,,,  
35,1,,172162-78390,,,"HOSE G704CC021",1,1,1,1,1,,,,,,,,,,,,,  
36,1,,172162-78850,,,"HOSE H106BC045",1,1,1,1,1,,,,,,,,,,,,,  
37,1,,172162-78910,,,"HOSE G604BE152S",1,1,,,,,,,,,,,,,  
37-1,1,,172162-  
78911,,HOSE,1,1,1,1,1,,N,,72162393,M00720,72162393,M00720,,,,,,,,,I  
38,1,,23391-020000,,,"JOINT RGI1/4",1,1,1,1,1,,,,,,,,,,,,,

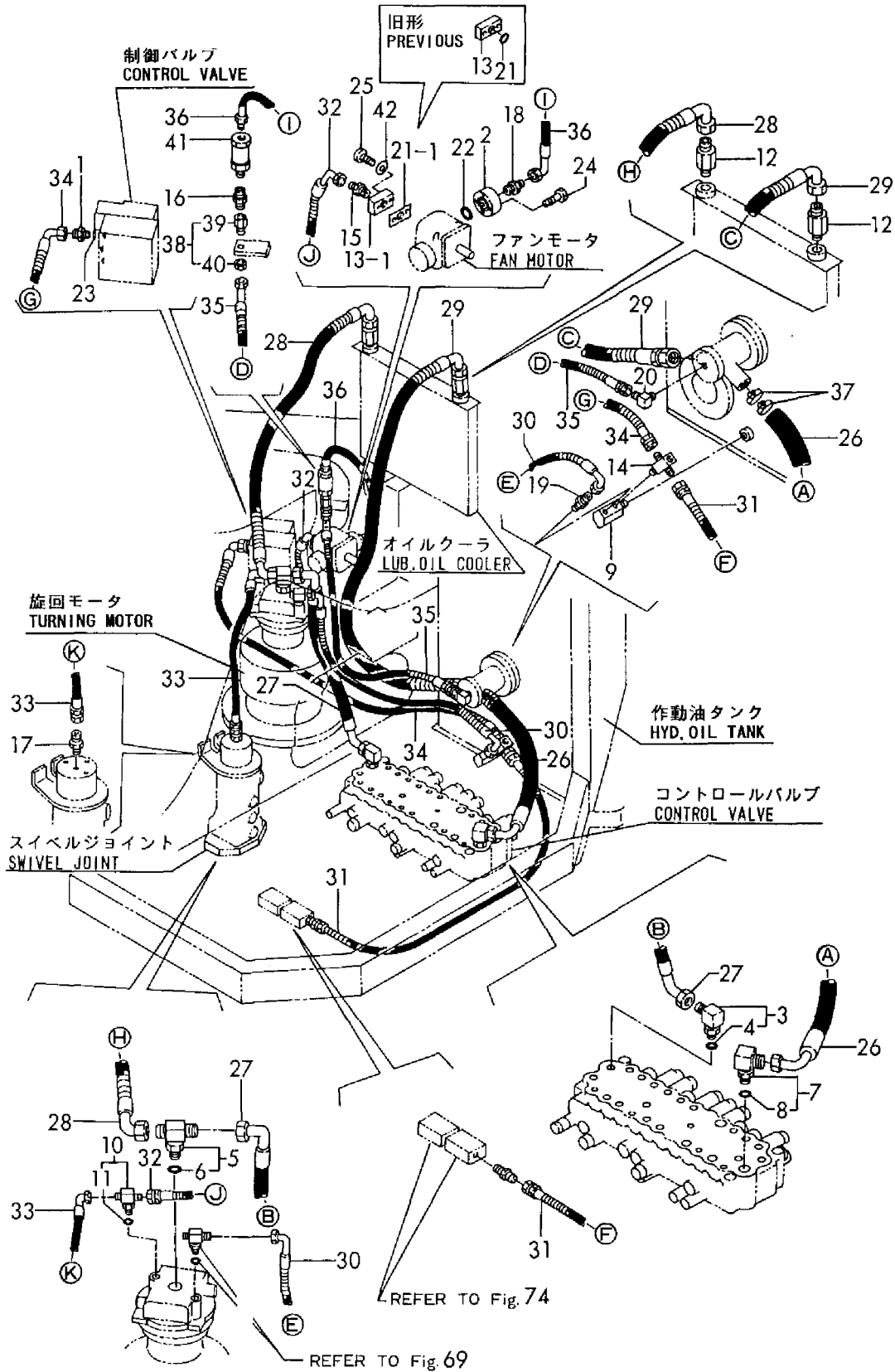


Fig. 69 油圧配管  
HYD. OIL PIPING



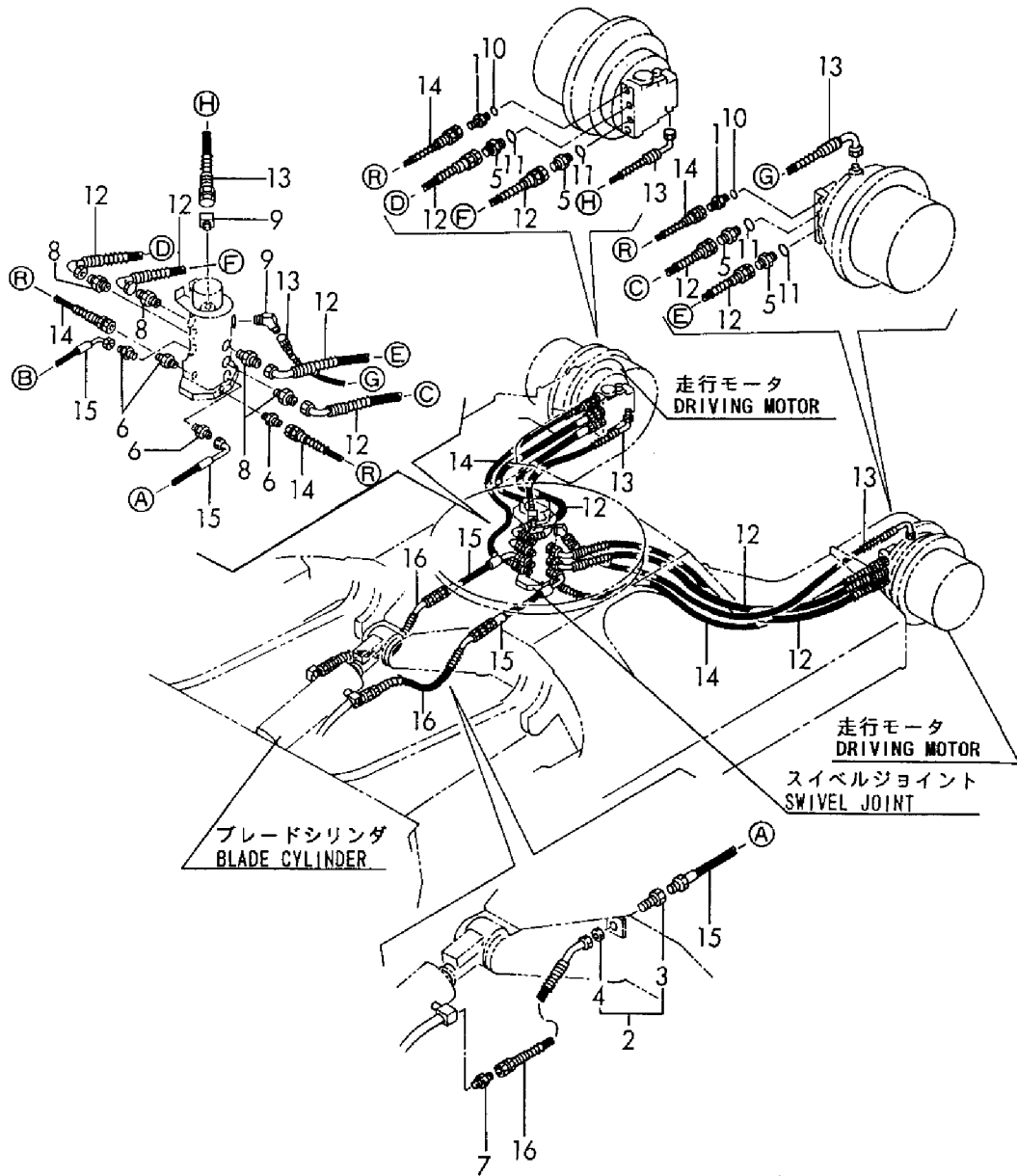
1,1,,172730-75140,,ADAPTOR,1,1,1,1,1,,,,,,,,,,,,,  
2,1,,172732-76100,,,"FLANGE, PUMP",1,1,,,,,,,,,,,,,  
2-1,1,,172732-76101,,,"FLANGE,  
PUMP",2,2,2,2,2,,F,2,72162270,M00511,72162270,M00511,,,,,,,,,  
3,1,,172141-76090,,,"CONNECTOR 3/4L",1,1,1,1,1,,,,,,,,,,,,,  
4-1,2,,24315-000240,,,"O-RING 1B P-24.0",1,1,1,1,1,,M,,,,,,,,,,,,,I  
5,1,,172162-76160,,,"TEE COMP.,ADJUSTABLE",1,1,1,1,1,,,,,,,,,,,,,  
6,2,,24315-000240,,,"O-RING 1B P-24.0",1,1,1,1,1,,,,,,,,,,,,,  
7,1,,172151-76180,,,"ELBOW",1,1,1,1,1,,,,,,,,,,,,,  
8,2,,24315-000240,,,"O-RING 1B P-24.0",1,1,1,1,1,,,,,,,,,,,,,  
9,1,,172162-76190,,,"CONNECTOR 8,DRAIN",1,1,1,1,1,,,,,,,,,,,,,  
10,1,,172141-76200,,,"CONNECTOR",1,1,1,1,1,,,,,,,,,,,,,  
11,2,,24315-000110,,,"O-RING 1B P-11.0",1,1,1,1,1,,,,,,,,,,,,,  
12,1,,172162-76370,,,"JOINT 3/4",2,2,2,2,2,,,,,,,,,,,,,  
12-1,1,,172162-  
76371,,CONNECTOR,2,2,2,2,2,,S,,72162477,M/#01175,72162477,M/#01175,72162477,M/#0  
1175,72162477,M/#01175,72162477,M/#01175,  
12A,2,,24315-000180,,,"O-RING 1B P-  
18.0",2,2,2,2,2,,W,,72162477,M/#01175,72162477,M/#01175,72162477,M/#01175,721624  
77,M/#01175,72162477,M/#01175,  
13,1,,172162-76390,,,"CONNECTOR 1/4",1,1,,,,,,,,,,,,,  
13-1,1,,172162-76391,,,"CONNECTOR  
1/4",1,1,1,1,1,,F,1,72162344,M00550,72162344,M00550,,,,,,,,,,,,,I  
14,1,,172162-76750,,,"T-JOINT",1,1,1,1,1,,,,,,,,,,,,,  
15,1,,23391-020000,,,"JOINT RGI1/4",1,1,1,1,1,,,,,,,,,,,,,  
16,1,,172162-76810,,,"ADAPTER 3/8",1,1,1,1,1,,,,,,,,,,,,,  
17,1,,23391-030000,,,"JOINT RGI 3/8",1,1,,,,,,,,,,,,,  
17-1,1,,933160-02760,,,"ADAPTER 3/8-  
53",1,1,1,1,1,,N,,72162230,M00504,72162230,M00504,,,,,,,,,  
18,1,,23391-030000,,,"JOINT RGI 3/8",1,1,1,1,1,,,,,,,,,,,,,  
19,1,,23391-030000,,,"JOINT RGI 3/8",1,1,1,1,1,,,,,,,,,,,,,  
20,1,,23393-030000,,,"JOINT 90RGI 3/8",1,1,1,1,1,,,,,,,,,,,,,  
21,1,,24311-000140,,,"O-RING 1A P-14.0",1,1,,,,,,,,,,,,,  
21-1,1,,172312-  
22350,,GASKET,1,1,1,1,1,,S,,72162344,M00550,72162344,M00550,,,,,,,,,,,,,I  
22,1,,24311-000200,,,"O-RING 1A P-20.0",1,1,,,,,,,,,,,,,  
22-1,1,,24315-000210,,,"O-RING 1B P  
21",1,1,1,1,1,,S,,72162270,M00511,72162270,M00511,,,,,,,,,,,,,I  
23,1,,24315-000140,,,"O-RING 1B P-14.0",1,1,1,1,1,,,,,,,,,,,,,  
24,1,,26013-060302,,,"BOLT M 6X 30",4,4,4,4,4,,,,,,,,,,,,,  
25,1,,26450-060252,,,"BOLT M 6X 25",2,2,2,2,2,,,,,,,,,,,,,  
26,1,,172162-78160,,,"HOSE G616CY042",1,1,1,1,1,,,,,,,,,,,,,  
27,1,,172162-78170,,,"HOSE G612CE048",1,1,1,1,1,,,,,,,,,,,,,  
28,1,,172162-78370,,,"HOSE G612CC100S",1,1,1,1,1,,,,,,,,,,,,,  
29,1,,172162-78380,,,"HOSE G612BC133S",1,1,1,1,1,,,,,,,,,,,,,  
30,1,,172162-78400,,,"HOSE G706CC066S",1,1,1,1,1,,,,,,,,,,,,,  
31,1,,172162-78830,,,"HOSE G706BB120S",1,1,1,1,1,,,,,,,,,,,,,  
32,1,,172162-78840,,,"HOSE G704BC105",1,1,1,1,1,,,,,,,,,,,,,  
33,1,,172162-78880,,,"HOSE G706BC045",1,1,,,,,,,,,,,,,  
33-1,1,,172162-78850,,,"HOSE  
H106BC045",1,1,1,1,1,,R,,72162432,M00937,72162432,M00937,,,,,,,,,,,,,I  
34,1,,172162-78890,,,"HOSE G706BC120",1,1,1,1,1,,,,,,,,,,,,,  
35,1,,172162-78920,,,"HOSE G606BC130S",1,1,1,1,1,,,,,,,,,,,,,  
36,1,,172162-79250,,,"HOSE G606AC040",1,1,1,1,1,,,,,,,,,,,,,  
37,1,,23000-041000,,,"CLAMP 41",2,2,2,2,2,,,,,,,,,,,,,  
38,1,,172145-76180,,,"JOINT 3/8",1,1,1,1,1,,,,,,,,,,,,,  
39,2,,172145-76190,,,"JOINT 3/8",1,1,1,1,1,,,,,,,,,,,,,  
40,2,,172145-76200,,,"NUT 3/8",1,1,1,1,1,,,,,,,,,,,,,  
41,1,,172162-74130,,,"VALVE COMP.,CHECK",1,1,,,,,,,,,,,,,  
42,1,,22190-060000,,,"SEAL WASHER  
6(BOLT)",2,2,2,2,2,,W,,72162344,M00550,72162344,M00550,,,,,,,,,,,,,I

Fig. 70 油圧配管(リターン)  
HYD. OIL PIPING(RETURN)



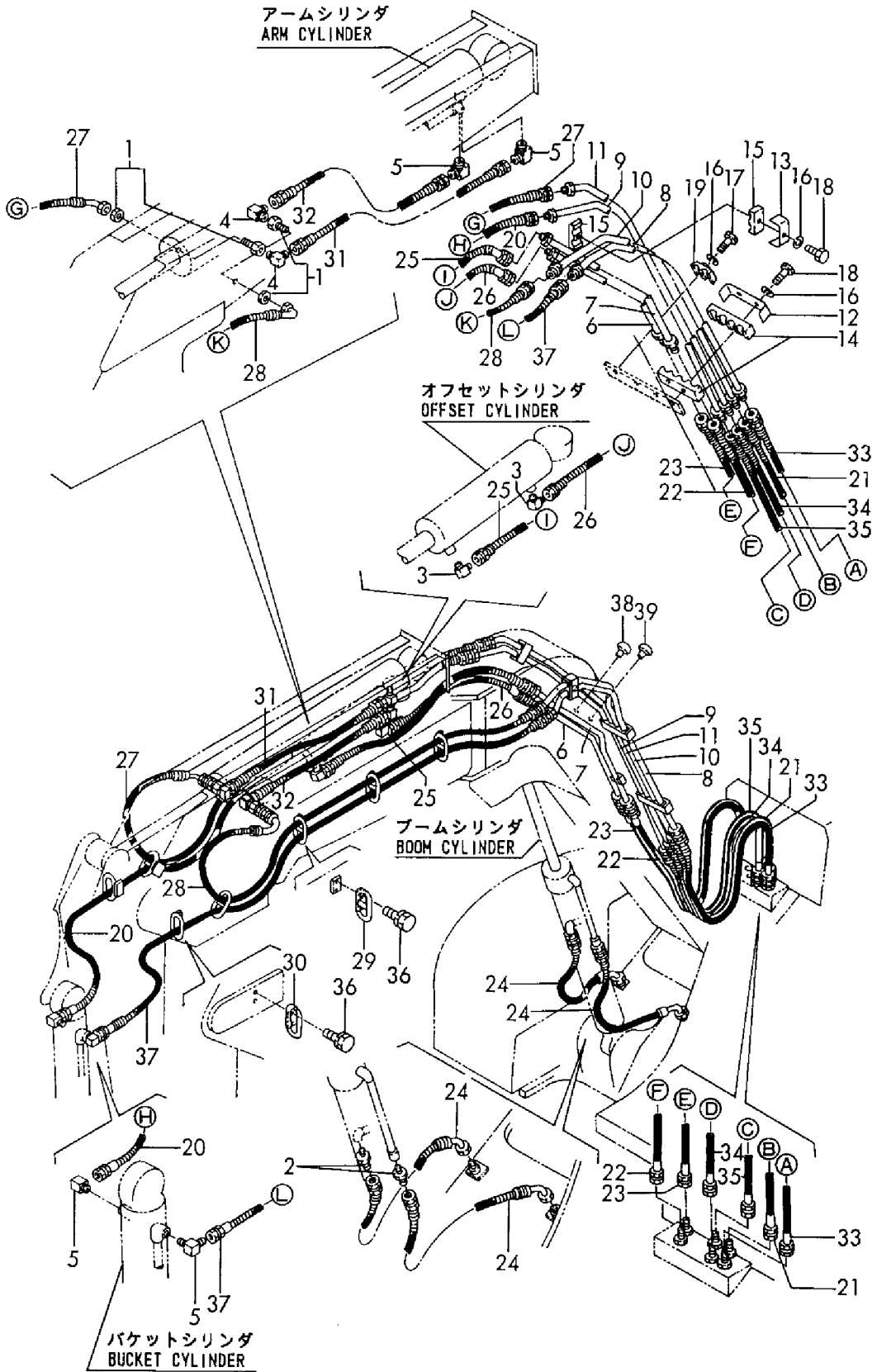
1,1,,172730-75140,,ADAPTOR,2,2,2,2,2,,,,,,,,,,,,,  
2,1,,172145-76180,, "JOINT 3/8",2,2,2,2,2,,,,,,,,,,,,,  
3,2,,172145-76190,, "JOINT 3/8",2,2,2,2,2,,,,,,,,,,,,,  
4,2,,172145-76200,, "NUT 3/8",2,2,2,2,2,,,,,,,,,,,,,  
5,1,,172112-77360,, "CONNECTOR PF1/2PF1/2",4,4,4,4,4,,,,,,,,,,,,,  
6,1,,23391-030000,, "JOINT RGI 3/8",4,4,4,4,4,,,,,,,,,,,,,  
7,1,,23391-030000,, "JOINT RGI 3/8",2,2,2,2,2,,,,,,,,,,,,,  
8,1,,23391-040000,, "JOINT RGI 1/2",4,4,4,4,4,,,,,,,,,,,,,  
9,1,,23394-020000,, "JOINT 45RGI1/4",2,2,2,2,2,,,,,,,,,,,,,  
10,1,,24315-000140,, "O-RING 1B P-14.0",2,2,2,2,2,,,,,,,,,,,,,  
11,1,,24315-000180,, "O-RING 1B P-18.0",4,4,4,4,4,,,,,,,,,,,,,  
12,1,,172162-78490,, "HOSE G108BC150W",4,4,4,4,4,,,,,,,,,,,,,  
13,1,,172162-78500,, "HOSE G104BC170W",2,2,2,2,2,,,,,,,,,,,,,  
14,1,,172162-78510,, "HOSE G706BB150W",2,2,2,2,2,,,,,,,,,,,,,  
15,1,,172162-78520,, "HOSE G106AC035",2,2,2,2,2,,,,,,,,,,,,,  
16,1,,172162-78530,, "HOSE G106BE072W",2,2,2,2,2,,,,,,,,,,,,,

Fig. 71 油圧配管(トラックフレーム)  
 HYD. OIL PIPING (TRACK FRAME)



1,1,,172142-76250,, "JOINT 1/2",2,2,2,2,2,,,,,,,,,,,,,  
2,1,,23391-040000,, "JOINT RGI 1/2",2,2,2,2,2,,,,,,,,,,,,,  
3,1,,23393-030000,, "JOINT 90RGI 3/8",2,2,2,2,2,,,,,,,,,,,,,  
4,1,,23393-040000,, "JOINT 90RGI 1/2",2,2,2,2,2,,,,,,,,,,,,,  
5,1,,23393-040000,, "JOINT 90RGI 1/2",4,4,4,4,4,,,,,,,,,,,,,  
6,1,,172162-76400,, "TUBE A COMP.,OFFSET",1,1,1,1,1,,,,,,,,,,,,,  
7,1,,172162-76420,, "TUBE B COMP.,OFFSET",1,1,1,1,1,,,,,,,,,,,,,  
8,1,,172162-76440,, "TUBE C COMP.,BUCKET",1,1,,,,,,,,,,,,,  
8-1,1,,172162-76442,, "TUBE C  
COMP.,BUCKET",1,1,1,1,1,,S,,72162218,M00504,72162218,M00504,,,,,,,,,  
9,1,,172162-76460,, "TUBE D COMP.,BUCKET",1,1,1,1,1,,,,,,,,,,,,,  
10,1,,172162-76480,, "TUBE E COMP.,ARM",1,1,,,,,,,,,,,,,  
10-1,1,,172162-76481,, "TUBE E  
COMP.,ARM",1,1,1,1,1,,S,,72162138,M00504,72162138,M00504,,,,,,,,,  
11,1,,172162-76500,, "TUBE F COMP.,ARM",1,1,1,1,1,,,,,,,,,,,,,  
12,1,,172147-76750,, "CLAMP, PIPE(A)",2,2,2,2,2,,,,,,,,,,,,,  
13,1,,172147-76760,, "CLAMP, TUBE",2,2,2,2,2,,,,,,,,,,,,,  
14,1,,172147-76770,, "CLAMP, RUBBER",4,4,4,4,4,,,,,,,,,,,,,  
15,1,,172147-76780,, "CLAMP, RUBBER",4,4,4,4,4,,,,,,,,,,,,,  
16,1,,22217-100000,, "SPRING WASHER 10",8,8,8,8,8,,,,,,,,,,,,,  
17,1,,26116-100402,, "BOLT 10X 40",2,2,2,2,2,,,,,,,,,,,,,  
18,1,,26116-100552,, "BOLT M10X 55 PLATED",6,6,6,6,6,,,,,,,,,,,,,  
19,1,,933155-09670,, "CLAMP, PIPE",2,2,2,2,2,,,,,,,,,,,,,  
20,1,,172162-78090,, "HOSE H108BB280W",1,1,1,1,1,,,,,,,,,,,,,  
21,1,,172162-78420,, "HOSE H108BB146WS",1,1,1,1,1,,,,,,,,,,,,,  
22,1,,172162-78470,, "HOSE H106BB137WS",1,1,1,1,1,,,,,,,,,,,,,  
23,1,,172162-78480,, "HOSE H106BB149WS",1,1,1,1,1,,,,,,,,,,,,,  
24,1,,172162-78540,, "HOSE H108BE105W",2,2,2,2,2,,,,,,,,,,,,,  
25,1,,172162-78550,, "HOSE H106BB131W",1,1,,,,,,,,,,,,,  
25-1,1,,172162-78551,, "HOSE  
H106BB115W",1,1,1,1,1,,S,,72162241,M00511,72162241,M00511,,,,,,,,,  
26,1,,172162-78560,, "HOSE H106BB090W",1,1,,,,,,,,,,,,,  
27,1,,172162-78570,, "HOSE H108BC270W",1,1,1,1,1,,,,,,,,,,,,,  
28,1,,172162-78580,, "HOSE H108BC230W",1,1,,,,,,,,,,,,,  
28-1,1,,172162-78581,, "HOSE  
H108BC225W",1,1,1,1,1,,S,,72162138,M00504,72162138,M00504,,,,,,,,,  
29,1,,172162-78630,, "GUIDE A COMP.,HOSE",8,8,8,8,8,,1,,,,,,,,,,,,,  
30,1,,172162-78660,, "GUIDE B COMP.,HOSE",2,2,2,2,2,,1,,,,,,,,,,,,,  
31,1,,172162-78720,, "HOSE H108BB092W",1,1,1,1,1,,,,,,,,,,,,,  
32,1,,172162-78730,, "HOSE H108BB081W",1,1,1,1,1,,,,,,,,,,,,,  
33,1,,172162-79260,, "HOSE H108BB143WS",1,1,1,1,1,,,,,,,,,,,,,  
34,1,,172162-79270,, "HOSE H108BB133WS",1,1,1,1,1,,,,,,,,,,,,,  
35,1,,172162-79280,, "HOSE H108BB140WS",1,1,1,1,1,,,,,,,,,,,,,  
36,1,,26013-080162,, "BOLT W/WASHER M8X16",20,20,20,20,20,,,,,,,,,,,,,  
37,1,,172162-76331,, "HOSE H108BB260W",1,1,,,,,M,,,,,,,,,I  
37-1,1,,172162-79331,, "HOSE H108BB260W",1,1,1,1,1,,,,,,,,,,,,,I  
38,1,,172122-17190,, CLIP,1,1,1,1,1,,W,,72162226,M00502,72162226,M00502,,,,,,,,,  
39,1,,194150-21910,, "PLUG  
11.2",3,3,,,,,W,,72162226,M00502,72162226,M00502,,,,,,,,,  
39-1,1,,194150-21910,, "PLUG  
11.2",4,4,4,,,,,K,,72162365,M00653,72162365,M00653,,,,,,,,,

Fig. 72 油圧配管(ブーム)  
HYD. OIL PIPING (BOOM)

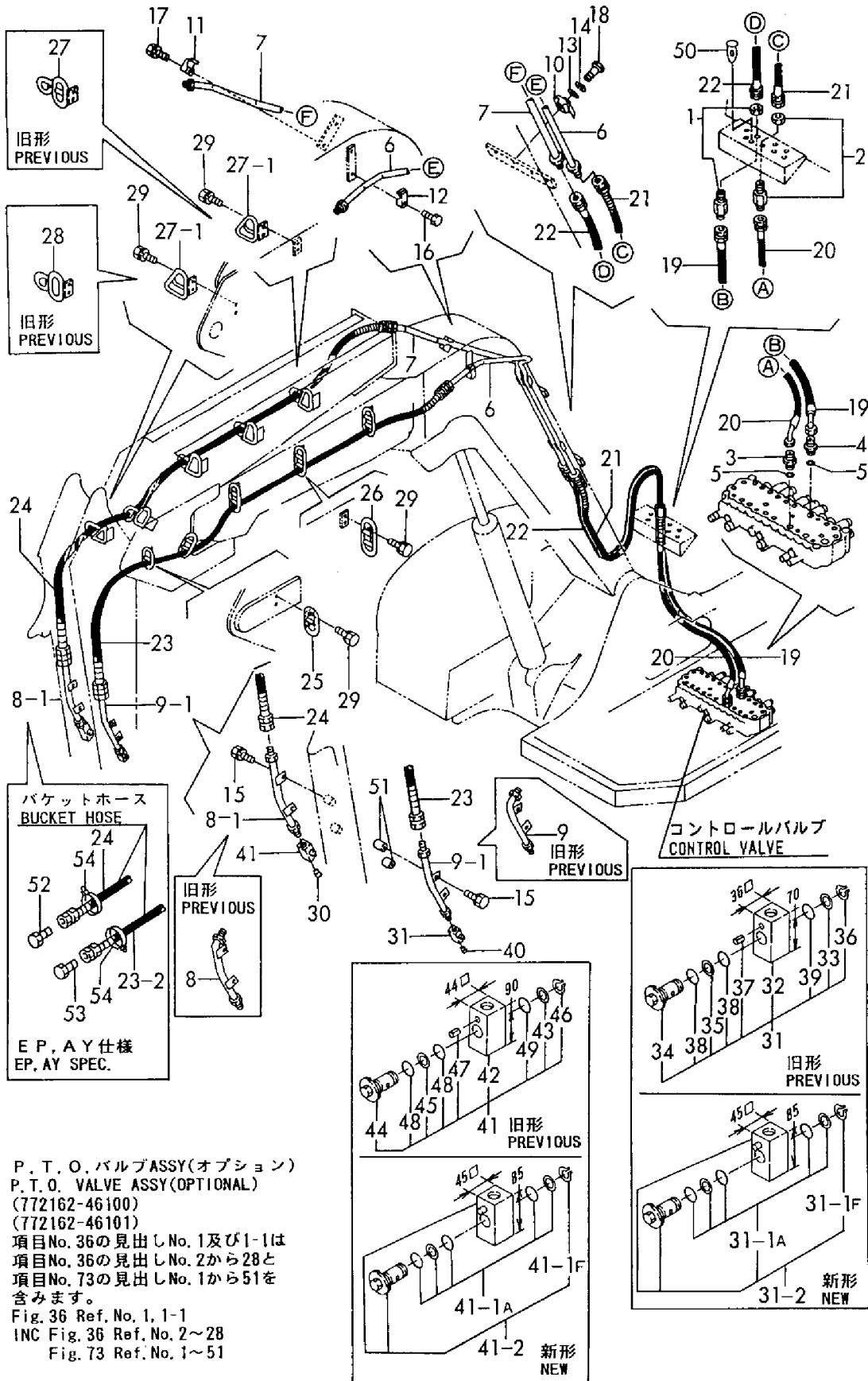


1,2,,172162-76100,, "JOINT 3/4",1,1,1,1,1,,,,,,,,,,,,,  
2,2,,172162-76110,, "JOINT 1/2",1,1,1,1,1,,,,,,,,,,,,,  
3,2,,172162-76150,, "JOINT 3/4-1/2",1,1,1,1,1,,,,,,,,,,,,,  
4,2,,172142-76240,, "JOINT PF3/4",1,1,1,1,1,,,,,,,,,,,,,  
5,2,,24315-000240,, "O-RING 1B P-24.0",2,2,2,2,2,,,,,,,,,,,,,  
6,2,,172162-76600,, "TUBE H COMP.,3RD",1,1,,,,,,,,,,,,,  
6-1,2,,172162-76601,, "TUBE H  
COMP.,3RD",1,1,,,,,S,,72162138,M00504,72162138,M00504,,,,,,  
6-2,2,,172162-76602,, "TUBE(H),  
3RD",1,1,1,1,1,,S,,72162248,M00501,72162248,M00501,,,,,,I  
7,2,,172162-76620,, "TUBE I COMP.,3RD",1,1,1,1,1,,,,,,,,,,,,,  
8,2,,172162-76640,, "TUBE J COMP.,3RD",1,1,,,,,,,,,,,,,  
8-1,2,,172162-76641,, "TUBE J  
COMP.,3RD",1,1,1,1,1,,S,,72162248,M00501,72162248,M00501,,,,,,I  
8-2,2,,172162-76641,, "TUBE J  
COMP.,3RD",,,,1,1,Z,,,,,,72147203,M01155,72147203,M01155,,,I  
9,2,,172147-76840,, "TUBE(I), 3RD",1,1,,,,,,,,,,,,,  
9-1,2,,172148-76740,, "TUBE (C),  
3RD",1,1,1,1,1,,S,,72162248,M00501,72162248,M00501,,,,,,I  
9-2,2,,172148-76740,, "TUBE (C),  
3RD",,,,1,1,Z,,,,,,72147203,M01155,72147203,M01155,,,I  
10,2,,172125-76900,, "CLAMP (YELLOW:87)",2,2,2,2,2,,,,,,,,,,,,,  
11,2,,172142-76940,, "CLAMP 3/4(YELLOW:87)",1,1,1,1,1,,,,,,,,,,,,,  
12,2,,172142-76950,, "CLAMP 1/2",1,1,1,1,1,,,,,,,,,,,,,  
13,2,,22137-120000,, "WASHER 12,POLISHED",2,2,2,2,2,,,,,,,,,,,,,  
14,2,,22217-120000,, "SPRING WASHER",2,2,2,2,2,,,,,,,,,,,,,  
15,2,,26013-120302,, "BOLT W/WASHER M12X30",4,4,4,4,4,,,,,,,,,,,,,  
15-1,2,,26013-120302,, "BOLT W/WASHER  
M12X30",,,,4,4,Z,,,,,,72147203,M01155,72147203,M01155,,,I  
16,2,,26013-120352,, "BOLT M12X 35",1,1,1,1,1,,,,,,,,,,,,,  
17,2,,26013-120502,, "BOLT M12X 50",1,1,1,1,1,,,,,,,,,,,,,  
18,2,,26116-120552,, "BOLT M12X 55 PLATED",2,2,2,2,2,,,,,,,,,,,,,  
19,2,,172162-78240,, "HOSE G112BC108",1,1,1,1,1,,,,,,,,,,,,,  
20,2,,172162-78250,, "HOSE H108BC105",1,1,1,1,1,,,,,,,,,,,,,  
21,2,,172162-78450,, "HOSE H108BB130WS",1,1,1,1,1,,,,,,,,,,,,,  
22,2,,172162-78460,, "HOSE G112BB146",1,1,1,1,1,,,,,,,,,,,,,  
23,2,,172162-78600,, "HOSE H108BB330W",1,1,,,,,,,,,,,,,  
23-1,2,,172162-78601,, "HOSE H108BB340W",1,1,,,,,S,,72162138,"FROM  
1ST",72162138,"FROM 1ST",,,,,,  
23-2,2,,172162-79331,, "HOSE  
H108BB260W",1,1,1,1,1,,S,,72162248,M00501,72162248,M00501,,,,,,I  
24,2,,172162-78610,, "HOSE G112BB346W",1,1,1,1,1,,,,,,,,,,,,,  
25,2,,172162-78630,, "GUIDE A COMP.,HOSE",1,1,1,1,1,,,,,,,,,,,,,  
26,2,,172162-78680,, "GUIDE C COMP.,HOSE",4,4,4,4,4,,,,,,,,,,,,,  
27,2,,172162-78700,, "GUIDE D COMP.,HOSE",4,4,,,,,,,,,,,,,  
27-1,2,,172162-78701,, "GUIDE D  
COMP.,HOSE",5,5,5,5,5,,N,,72162248,M00501,72162248,M00501,,,,,,I  
28,2,,172162-79320,, "GUIDE  
COMP.,HOSE",1,1,,,,,Z,,72162248,M00501,72162248,M00501,,,,,,I  
29,2,,26013-080162,, "BOLT W/WASHER M8X16",20,20,20,20,20,,,,,,,,,,,,,  
30,2,,23871-060000,, "PLUG PT3/4,SCREW",1,1,1,1,1,,,,,,,,,,,,,  
30-1,2,,23871-060000,, "PLUG  
PT3/4,SCREW",,,,1,1,Z,,,,,,72147203,M01155,72147203,M01155,,,I  
31,2,,172142-77100,, "VALVE, STOP",1,1,,1,1,,,,,,,,,,,,,  
31-1,2,,172142-77100,, "VALVE,  
STOP",,,,1,1,Z,,,,,,72147203,M01155,72147203,M01155,,,I  
31-1A,3,,172142-77150,, "SEAL  
SET",1,1,1,,,W,,72162466,M01157,72162466,M01157,,,,,,I  
31-1F,3,,22242-000300,, "CIRCLIP  
30",1,1,1,,,W,,72162466,M01157,72162466,M01157,,,,,,I  
31-2,2,,172142-77101,, "STOP  
VALVE",1,1,1,,,R,,72162466,M01157,72162466,M01157,,,,,,I



32,3,,172142-77110,, "BODY,  
VALVE",1,1,1,1,1,,Z,,72162466,M01157,72162466,M01157,,,,,,I  
33,3,,172142-77120,, "RING, BACK  
UP",1,1,1,1,1,,Z,,72162466,M01157,72162466,M01157,,,,,,I  
34,3,,172142-  
77130,, VALVE,1,1,1,1,1,,Z,,72162466,M01157,72162466,M01157,,,,,,I  
35,3,,172142-77140,, "RING, BACK  
UP",1,1,1,1,1,,Z,,72162466,M01157,72162466,M01157,,,,,,I  
36,3,,22242-000200,, "CIRCLIP  
20",1,1,1,1,1,,Z,,72162466,M01157,72162466,M01157,,,,,,I  
37,3,,22351-040010,, "SPRING PIN  
4X10",1,1,1,1,1,,Z,,72162466,M01157,72162466,M01157,,,,,,I  
38,3,,24315-000160,, "O-RING 1B P-  
16.0",2,2,2,2,2,,Z,,72162466,M01157,72162466,M01157,,,,,,I  
39,3,,24315-000200,, "O-RING 1B P-  
20.0",1,1,1,1,1,,Z,,72162466,M01157,72162466,M01157,,,,,,I  
40,2,,23871-040000,, "PLUG PT1/2,SCREW",1,1,1,1,1,,,,,,  
40-1,2,,23871-040000,, "PLUG  
PT1/2,SCREW",,,,1,1,,Z,,,,,,72147203,M01155,72147203,M01155,,,I  
41,2,,172151-76650,, "VALVE SV-20,STOP",1,1,,1,1,,,,,,  
41-1,2,,172151-76650,, "VALVE SV-  
20,STOP",,,,1,1,,Z,,,,,,72147203,M01155,72147203,M01155,,,I  
41-1A,3,,172142-77150,, "SEAL  
SET",1,1,1,,,W,,72162466,M01157,72162466,M01157,,,,,,I  
41-1F,2,,22242-000300,, "CIRCLIP  
30",1,1,1,,,W,,72162466,M01157,72162466,M01157,,,,,,I  
41-2,2,,172151-76651,, "STOP  
VALVE",1,1,1,,,R,,72162466,M01157,72162466,M01157,,,,,,I  
42,3,,172151-  
76660,, "BODY,VALVE",1,1,1,1,1,,Z,,72162466,M01157,72162466,M01157,,,,,,I  
43,3,,172151-  
76670,, "RING,BACKUP",1,1,1,1,1,,Z,,72162466,M01157,72162466,M01157,,,,,,I  
44,3,,172151-  
76680,, VALVE,1,1,1,1,1,,Z,,72162466,M01157,72162466,M01157,,,,,,I  
45,3,,172151-  
76690,, "RING,BACKUP",1,1,1,1,1,,Z,,72162466,M01157,72162466,M01157,,,,,,I  
46,3,,22242-000300,, "CIRCLIP  
30",1,1,1,1,1,,Z,,72162466,M01157,72162466,M01157,,,,,,I  
47,3,,22351-050012,, "PIN  
5X12,SPRING",1,1,1,1,1,,Z,,72162466,M01157,72162466,M01157,,,,,,I  
48,3,,24325-000250,, "O-RING 1B G-  
25.0",2,2,2,2,2,,Z,,72162466,M01157,72162466,M01157,,,,,,I  
49,3,,24325-000300,, "O-RING 1B G-  
30.0",1,1,1,1,1,,Z,,72162466,M01157,72162466,M01157,,,,,,I  
50,2,,172122-17190,, CLIP,2,2,2,2,2,,,,,,  
51,2,,172142-41740,, SEAT,4,4,,,,,1,,,,,  
52,1,,172141-76060,, PLUG,,,,1,1,,W,,,,,,72147203,M01155,72147203,M01155,,,I  
53,1,,172132-76300,, PLUG,,,,1,1,,W,,,,,,72147203,M01155,72147203,M01155,,,I  
54,1,,172122-79890,, "CLAMP  
350",,,,2,2,,W,,,,,,72147203,M01155,72147203,M01155,,,I

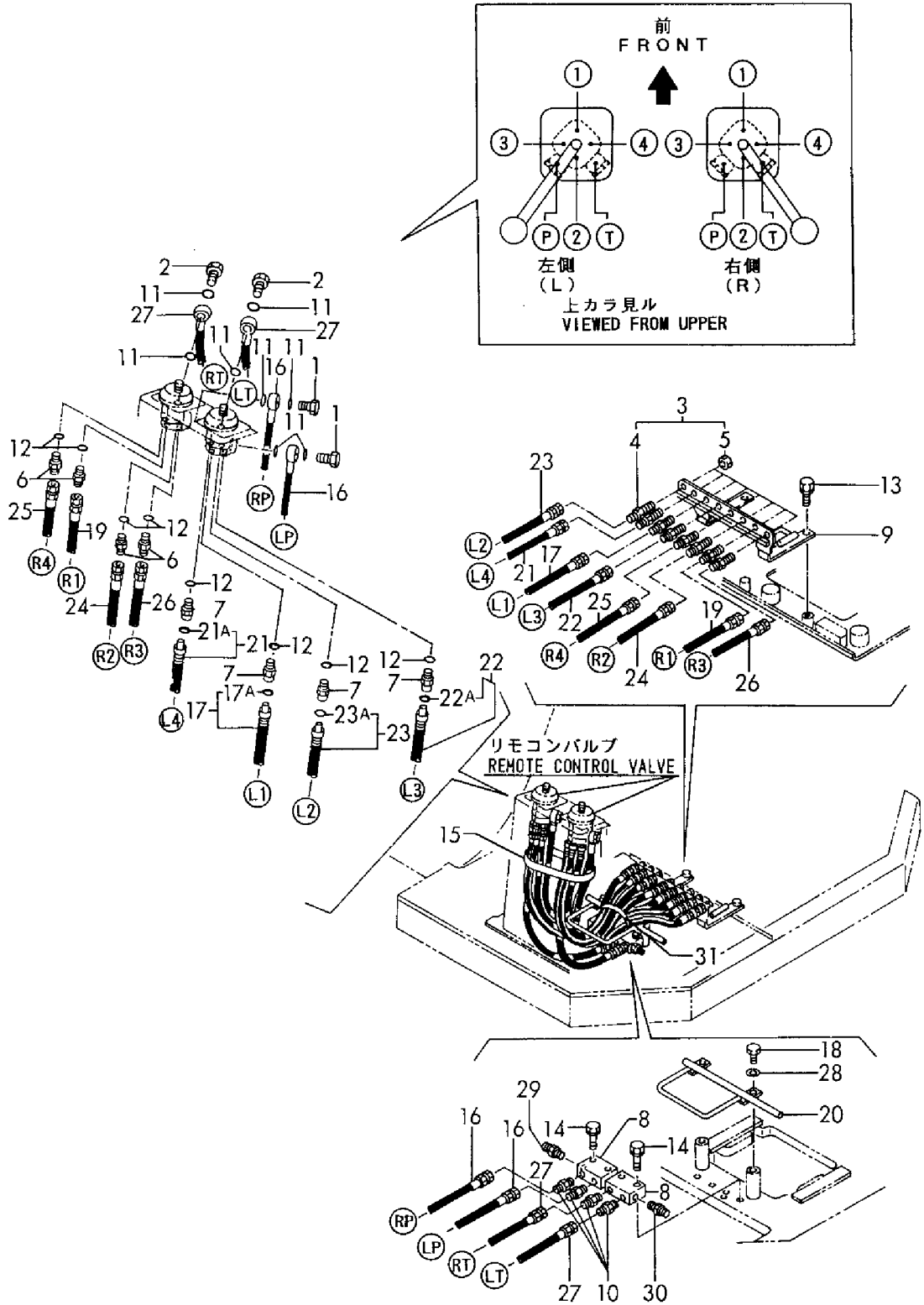
Fig. 73 油圧配管(P. T. O.)  
HYD. OIL PIPING(P. T. O.)



P. T. O. バルブ ASSY (オプション)  
P. T. O. VALVE ASSY (OPTIONAL)  
(772162-46100)  
(772162-46101)  
項目 No. 36 の見出し No. 1 及び 1-1 は  
項目 No. 36 の見出し No. 2 から 28 と  
項目 No. 73 の見出し No. 1 から 51 を  
含みます。  
Fig. 36 Ref. No. 1, 1-1  
INC Fig. 36 Ref. No. 2~28  
Fig. 73 Ref. No. 1~51

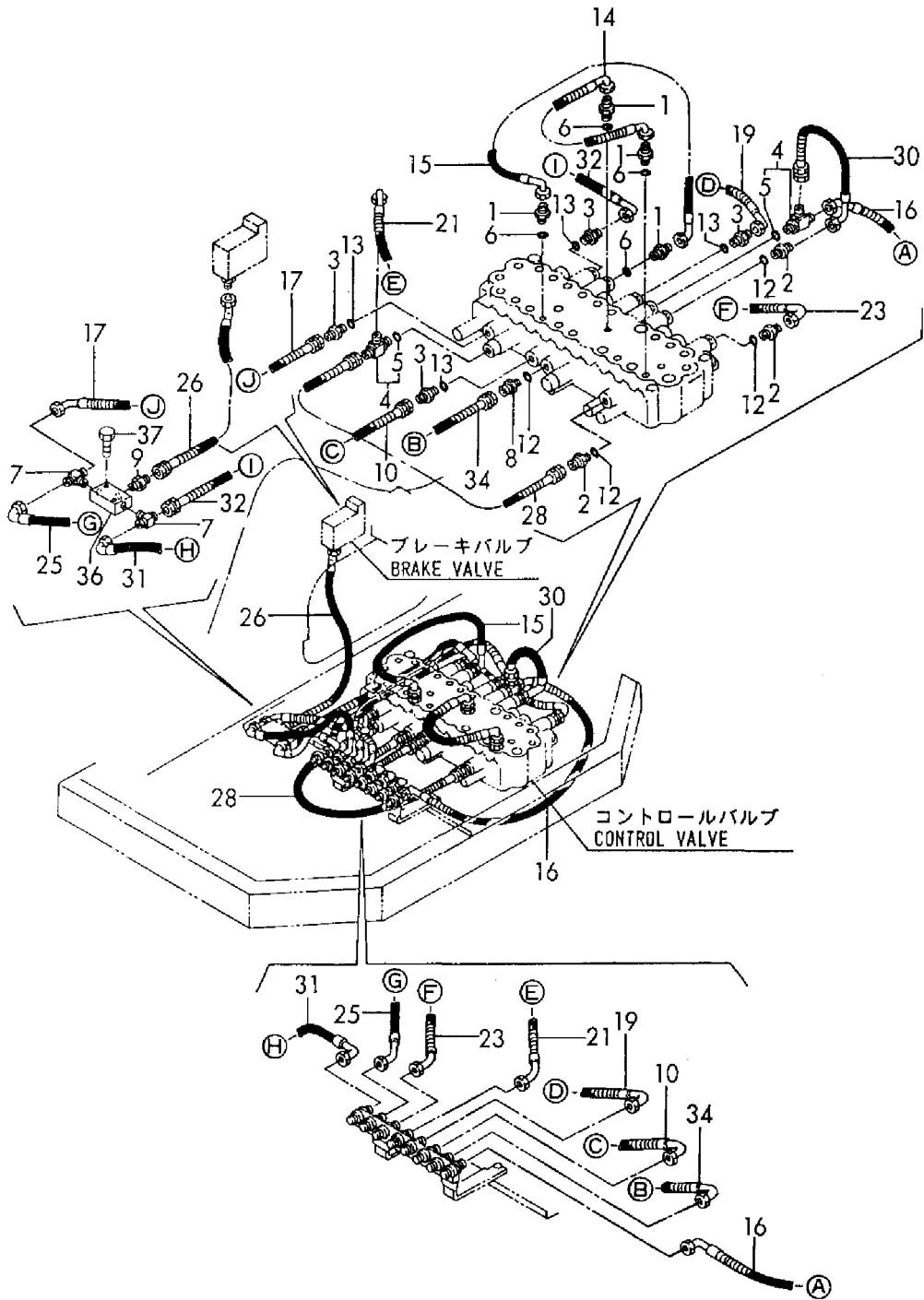
1,1,,172151-76030,, "BOLT, PIPE JOINT",2,2,2,2,2,,,,,,,,,,,,,  
2,1,,172151-76040,, "BOLT, PIPE JOINT",2,2,2,2,2,,,,,,,,,,,,,  
3,1,,172151-76050,, JOINT,8,8,8,8,8,,,,,,,,,,,,,  
4,2,,172151-76060,, "BODY,CONNECTOR",8,8,8,8,8,,,,,,,,,,,,,  
5,2,,172151-76070,, NUT,8,8,8,8,8,,,,,,,,,,,,,  
6,1,,172123-76120,, "CONNECTOR PF1/4",4,4,4,4,4,,,,,,,,,,,,,  
7,1,,172162-76310,, "ADAPTER,JOINT",4,4,4,4,4,,,,,,,,,,,,,  
8,1,,172162-76380,, "JOINT PLT",2,2,2,2,2,,,,,,,,,,,,,  
9,1,,172162-76700,, "SUPPORT COMPL.",1,1,1,1,1,,,,,,,,,,,,,  
10,1,,23391-020000,, "JOINT RGI1/4",4,4,4,4,4,,,,,,,,,,,,,  
11,1,,24311-000180,, "O-RING 1A P-18.0",8,8,,,,,,,,,,,,,  
11-1,1,,24315-000180,, "O-RING 1B P-  
18.0",8,8,8,8,8,,N,,72162426,M00850,72162426,M00850,,,,,,,,,I  
12,1,,24315-000110,, "O-RING 1B P-11.0",8,8,8,8,8,,,,,,,,,,,,,  
13,1,,26013-100302,, "BOLT M10X 30",2,2,2,2,2,,,,,,,,,,,,,  
14,1,,26013-100452,, "BOLT M10X 45",4,4,4,4,4,,,,,,,,,,,,,  
15,1,,172122-16590,, "BAND 200F",1,1,1,1,1,,,,,,,,,,,,,  
16,1,,172162-78740,, "HOSE P G604BW068",2,2,2,2,2,,,,,,,,,,,,,  
17,1,,172162-78750,, "HOSE I G604BT080",1,1,1,1,1,,,,,,,,,,,,,  
17A,2,,172162-79970,, O-  
RING,1,1,1,1,1,,W,,72162461,M01082,72162461,M01082,,,,,,,,,I  
18,1,,26116-100162,, "BOLT M10X 16 PLATED",2,2,2,2,2,,,,,,,,,,,,,  
19,1,,172162-78760,, "HOSE M G604BB080",1,1,,,,,,,,,,,,,  
19-1,1,,172162-  
78761,,HOSE,1,1,1,1,1,,N,,72162393,M00720,72162393,M00720,,,,,,,,,I  
20,1,,172162-79200,, "GUIDE COMP.,HOSE",1,1,1,1,1,,,,,,,,,,,,,  
21,1,,172162-79500,, "HOSE K G604BT080",1,1,1,1,1,,,,,,,,,,,,,  
21A,2,,172162-79970,, O-  
RING,1,1,1,1,1,,W,,72162461,M01082,72162461,M01082,,,,,,,,,I  
22,1,,172162-79510,, "HOSE J G604BT080",1,1,1,1,1,,,,,,,,,,,,,  
22A,2,,172162-79970,, O-  
RING,1,1,1,1,1,,W,,72162461,M01082,72162461,M01082,,,,,,,,,I  
23,1,,172162-79520,, "HOSE L G604BT080",1,1,1,1,1,,,,,,,,,,,,,  
23A,2,,172162-79970,, O-  
RING,1,1,1,1,1,,W,,72162461,M01082,72162461,M01082,,,,,,,,,I  
24,1,,172162-79530,, "HOSE O G604BB080",1,1,,,,,,,,,,,,,  
24-1,1,,172162-  
79531,,HOSE,1,1,1,1,1,,N,,72162393,M00720,72162393,M00720,,,,,,,,,I  
25,1,,172162-79540,, "HOSE P G604BB080",1,1,,,,,,,,,,,,,  
25-1,1,,172162-  
79541,,HOSE,1,1,1,1,1,,N,,72162393,M00720,72162393,M00720,,,,,,,,,I  
26,1,,172162-79550,, "HOSE N G604BB080",1,1,,,,,,,,,,,,,  
26-1,1,,172162-  
79551,,HOSE,1,1,1,1,1,,N,,72162393,M00720,72162393,M00720,,,,,,,,,I  
27,1,,172162-79570,, "HOSE G604BW068T",2,2,2,2,2,,,,,,,,,,,,,  
28,1,,22217-100000,, "SPRING WASHER 10",2,2,2,2,2,,,,,,,,,,,,,  
29,1,,172312-76190,, "NIPPLE 3/8X1/4",1,1,1,1,1,,,,,,,,,,,,,  
30,1,,23391-030000,, "JOINT RGI 3/8",1,1,1,1,1,,,,,,,,,,,,,  
31,1,,194250-51660,, "BAND  
250",1,1,1,1,1,,W,,72162418,M00772,72162418,M00772,,,,,,,,,I

Fig. 74 コントロール配管(パイロットバルブ-隔壁)  
CONTROL PIPING(PILOT VALVE-PLATE)



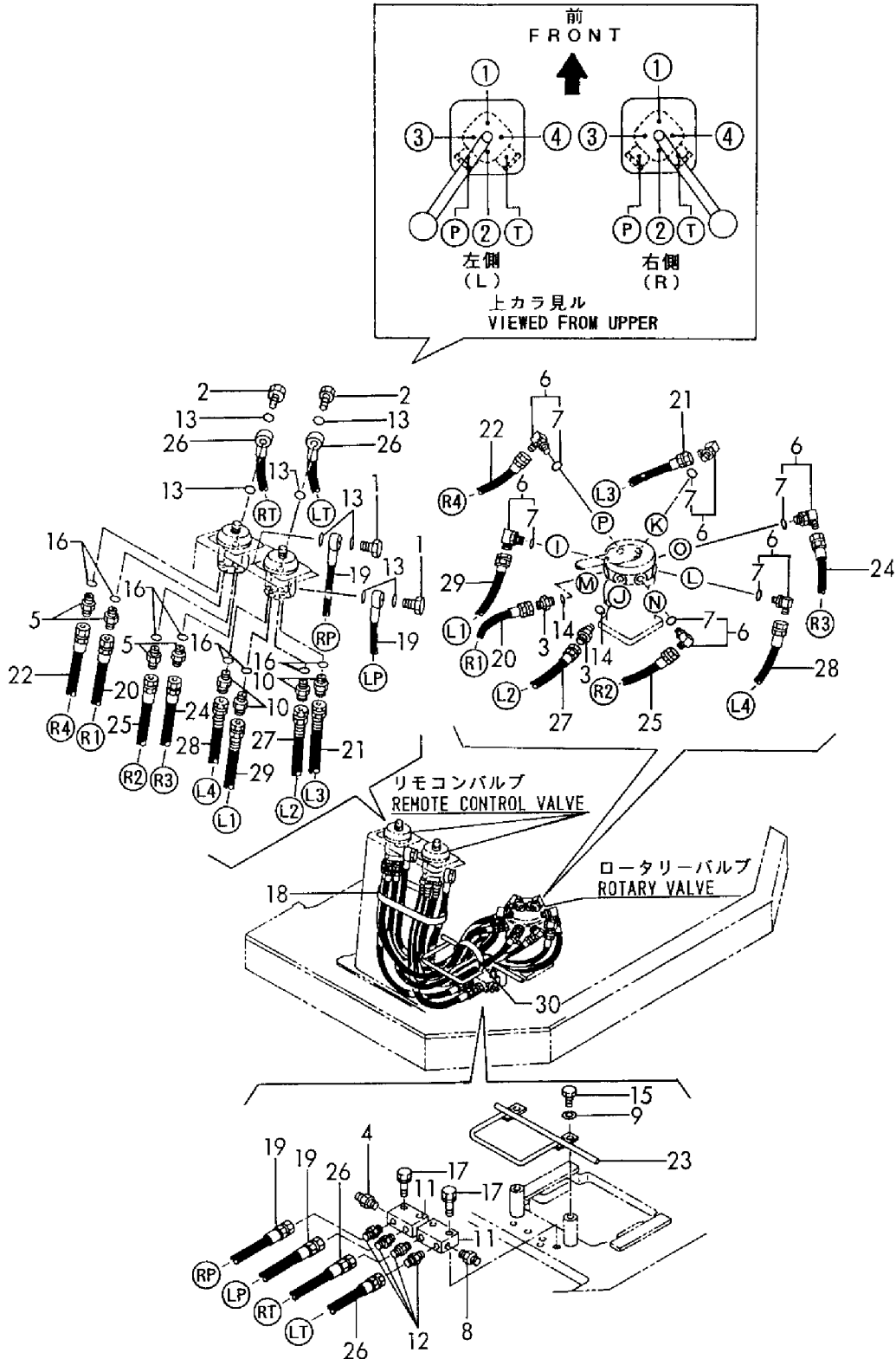
1,1,,172123-76120,, "CONNECTOR PF1/4",4,4,4,4,4,,,,,,,,,,,,,  
2,1,,172123-76120,, "CONNECTOR PF1/4",3,3,3,3,3,,,,,,,,,,,,,  
3,1,,172123-76120,, "CONNECTOR PF1/4",4,4,4,4,4,,,,,,,,,,,,,  
4,1,,172162-76180,, "JOINT 3-1/4 COMPL.",2,2,2,2,2,,,,,,,,,,,,,  
5,2,,24315-000110,, "O-RING 1B P-11.0",2,2,2,2,2,,,,,,,,,,,,,  
6,1,,24315-000110,, "O-RING 1B P-11.0",4,4,4,4,4,,,,,,,,,,,,,  
7,1,,172162-76320,, "CONNECTOR 3-1/4",2,2,2,2,2,,,,,,,,,,,,,  
8,1,,172162-76770,, "JOINT PF1/4",1,1,1,1,1,,,,,,,,,,,,,  
9,1,,23391-020000,, "JOINT RGI1/4",1,1,1,1,1,,,,,,,,,,,,,  
10,1,,172162-79560,, "HOSE C G604BC030S",1,1,,,,,,,,,,,,,  
10-1,1,,172162-  
79561,,HOSE,1,1,1,1,1,,N,,72162393,M00720,72162393,M00720,,,,,,,,,I  
12,1,,24315-000110,, "O-RING 1B P-11.0",4,4,4,4,4,,,,,,,,,,,,,  
13,1,,24315-000110,, "O-RING 1B P-11.0",4,4,4,4,4,,,,,,,,,,,,,  
14,1,,172162-78350,, "HOSE G604CC030",1,1,1,1,1,,,,,,,,,,,,,  
15,1,,172162-78360,, "HOSE G604CC058",1,1,1,1,1,,,,,,,,,,,,,  
16,1,,172162-78770,, "HOSE B G604CE085S",1,1,,,,,,,,,,,,,  
16-1,1,,172162-  
78771,,HOSE,1,1,1,1,1,,N,,72162393,M00720,72162393,M00720,,,,,,,,,I  
17,1,,172162-78780,, "HOSE G604BC033S",1,1,,,,,,,,,,,,,  
17-1,1,,172162-  
78781,,HOSE,1,1,1,1,1,,N,,72162393,M00720,72162393,M00720,,,,,,,,,I  
19,1,,172162-78790,, "HOSE D G604CE096S",1,1,,,,,,,,,,,,,  
19-1,1,,172162-  
78791,,HOSE,1,1,1,1,1,,N,,72162393,M00720,72162393,M00720,,,,,,,,,I  
21,1,,172162-78800,, "HOSE F G604CE025S",1,1,,,,,,,,,,,,,  
21-1,1,,172162-  
78801,,HOSE,1,1,1,1,1,,N,,72162393,M00720,72162393,M00720,,,,,,,,,I  
23,1,,172162-78810,, "HOSE E G604CE115S",1,1,,,,,,,,,,,,,  
23-1,1,,172162-  
78811,,HOSE,1,1,1,1,1,,N,,72162393,M00720,72162393,M00720,,,,,,,,,I  
25,1,,172162-78820,, "HOSE H G604CE036",1,1,,,,,,,,,,,,,  
25-1,1,,172162-  
78821,,HOSE,1,1,1,1,1,,N,,72162393,M00720,72162393,M00720,,,,,,,,,I  
26,1,,172162-78970,, "HOSE G604BE048S",1,1,,,,,,,,,,,,,  
26-1,1,,172162-  
78971,,HOSE,1,1,1,1,1,,N,,72162393,M00720,72162393,M00720,,,,,,,,,I  
28,1,,172162-78980,, "HOSE G604BB060S",1,1,,,,,,,,,,,,,  
28-1,1,,172162-  
78981,,HOSE,1,1,1,1,1,,N,,72162393,M00720,72162393,M00720,,,,,,,,,I  
30,1,,172162-78990,, "HOSE G604CC017",1,1,1,1,1,,,,,,,,,,,,,  
31,1,,172162-79130,, "HOSE G G604CC020",1,1,,,,,,,,,,,,,  
31-1,1,,172162-  
79131,,HOSE,1,1,1,1,1,,N,,72162393,M00720,72162393,M00720,,,,,,,,,I  
32,1,,172162-79140,, "HOSE G604BC065S",1,1,,,,,,,,,,,,,  
32-1,1,,172162-  
79141,,HOSE,1,1,1,1,1,,N,,72162393,M00720,72162393,M00720,,,,,,,,,I  
34,1,,172162-79230,, "HOSE A G604BC030S",1,1,,,,,,,,,,,,,  
34-1,1,,172162-  
79231,,HOSE,1,1,1,1,1,,N,,72162393,M00720,72162393,M00720,,,,,,,,,I  
36,1,,172162-74120,, "VALVE COMP., SHUTTLE",1,1,1,1,1,,,,,,,,,,,,,  
37,1,,26013-060352,, "BOLT M 6X 35",2,2,2,2,2,,,,,,,,,,,,,

Fig. 75 コントロール配管(隔壁-バルブ)  
CONTROL PIPING(PLATE-VALVE)



1,1,,172151-76030,, "BOLT, PIPE JOINT",2,2,,,,,,,,,,,,,,,,,,,,,  
2,1,,172151-76040,, "BOLT, PIPE JOINT",2,2,,,,,,,,,,,,,,,,,,,,,  
3,1,,172123-76120,, "CONNECTOR PF1/4",2,2,,,,,,,,,,,,,,,,,,,,,  
4,1,,172312-76190,, "NIPPLE 3/8X1/4",1,1,,,,,,,,,,,,,,,,,,,,,  
5,1,,172123-76120,, "CONNECTOR PF1/4",4,4,,,,,,,,,,,,,,,,,,,,,  
6,1,,172141-76180,, "CONNECTOR",6,6,,,,,,,,,,,,,,,,,,,,,  
7,2,,24315-000110,, "O-RING 1B P-11.0",6,6,,,,,,,,,,,,,,,,,,,,,  
8,1,,23391-030000,, "JOINT RGI 3/8",1,1,,,,,,,,,,,,,,,,,,,,,  
9,1,,22217-100000,, "SPRING WASHER 10",2,2,,,,,,,,,,,,,,,,,,,,,  
10-1,1,,172123-76120,, "CONNECTOR PF1/4",4,4,,,,,M,,,,,,,,,,,,,I  
11,1,,172162-76380,, "JOINT PLT",2,2,,,,,,,,,,,,,,,,,,,,,  
12,1,,23391-020000,, "JOINT RGI1/4",4,4,,,,,,,,,,,,,,,,,,,,,  
13,1,,24311-000180,, "O-RING 1A P-18.0",8,8,,,,,,,,,,,,,,,,,,,,,  
13-1,1,,24315-000180,, "O-RING 1B P-  
18.0",8,8,,,,,N,,72162426,M00850,72162426,M00850,,,,,,,,,,,,,I  
14,1,,24315-000110,, "O-RING 1B P-11.0",2,2,,,,,,,,,,,,,,,,,,,,,  
15,1,,26116-100162,, "BOLT M10X 16 PLATED",2,2,,,,,,,,,,,,,,,,,,,,,  
16,1,,24315-000110,, "O-RING 1B P-11.0",8,8,,,,,,,,,,,,,,,,,,,,,  
17,1,,26013-100452,, "BOLT M10X 45",4,4,,,,,,,,,,,,,,,,,,,,,  
18,1,,172122-16590,, "BAND 200F",1,1,,,,,,,,,,,,,,,,,,,,,  
19,1,,172162-78740,, "HOSE P G604BW068",2,2,,,,,,,,,,,,,,,,,,,,,  
20,1,,172162-78760,, "HOSE M G604BB080",1,1,,,,,,,,,,,,,,,,,,,,,  
20-1,1,,172162-79620,, "HOSE",1,1,,,,,N,,72162371,M00653,72162371,M00653,,,,,,,,,,,,,I  
20-2,1,,172162-79621,, "HOSE G504BB075  
M",1,1,,,,,N,,72162393,M00720,72162393,M00720,,,,,,,,,,,,,I  
21,1,,172162-79100,, "HOSE K G604BB093",1,1,,,,,,,,,,,,,,,,,,,,,  
21-1,1,,172162-79101,, "HOSE K  
G504BB093",1,1,,,,,N,,72162393,M00720,72162393,M00720,,,,,,,,,,,,,I  
22,1,,172162-79110,, "HOSE P G604BB093",1,1,,,,,,,,,,,,,,,,,,,,,  
22-1,1,,172162-79541,, "HOSE",1,1,,,,,N,,72162393,M00720,72162393,M00720,,,,,,,,,,,,,I  
23,1,,172162-79200,, "GUIDE COMP.,HOSE",1,1,,,,,,,,,,,,,,,,,,,,,  
24,1,,172162-79530,, "HOSE O G604BB080",1,1,,,,,,,,,,,,,,,,,,,,,  
24-1,1,,172162-79111,, "HOSE  
G504BB093",1,1,,,,,N,,72162393,M00720,72162393,M00720,,,,,,,,,,,,,I  
25,1,,172162-79550,, "HOSE N G604BB080",1,1,,,,,,,,,,,,,,,,,,,,,  
25-1,1,,172162-79630,, "HOSE",1,1,,,,,N,,72162371,M00653,72162371,M00653,,,,,,,,,,,,,I  
25-2,1,,172162-79631,, "HOSE G504BB072  
N",1,1,,,,,N,,72162393,M00720,72162393,M00720,,,,,,,,,,,,,I  
26,1,,172162-79570,, "HOSE G604BW068T",2,2,,,,,,,,,,,,,,,,,,,,,  
27,1,,172162-79590,, "HOSE J G604BB080",1,1,,,,,,,,,,,,,,,,,,,,,  
27-1,1,,172162-79591,, "HOSE J  
G504BB070",1,1,,,,,N,,72162393,M00720,72162393,M00720,,,,,,,,,,,,,I  
28,1,,172162-79600,, "HOSE L G604BB080",1,1,,,,,,,,,,,,,,,,,,,,,  
28-1,1,,172162-79601,, "HOSE L  
G504BB080",1,1,,,,,N,,72162393,M00720,72162393,M00720,,,,,,,,,,,,,I  
29,1,,172162-79610,, "HOSE I G604BB080",1,1,,,,,,,,,,,,,,,,,,,,,  
29-1,1,,172162-79611,, "HOSE I  
G504BB075",1,1,,,,,N,,72162393,M00720,72162393,M00720,,,,,,,,,,,,,I  
30,1,,194250-51660,, "BAND  
250",1,1,,,,,W,,72162418,M00772,72162418,M00772,,,,,,,,,,,,,I

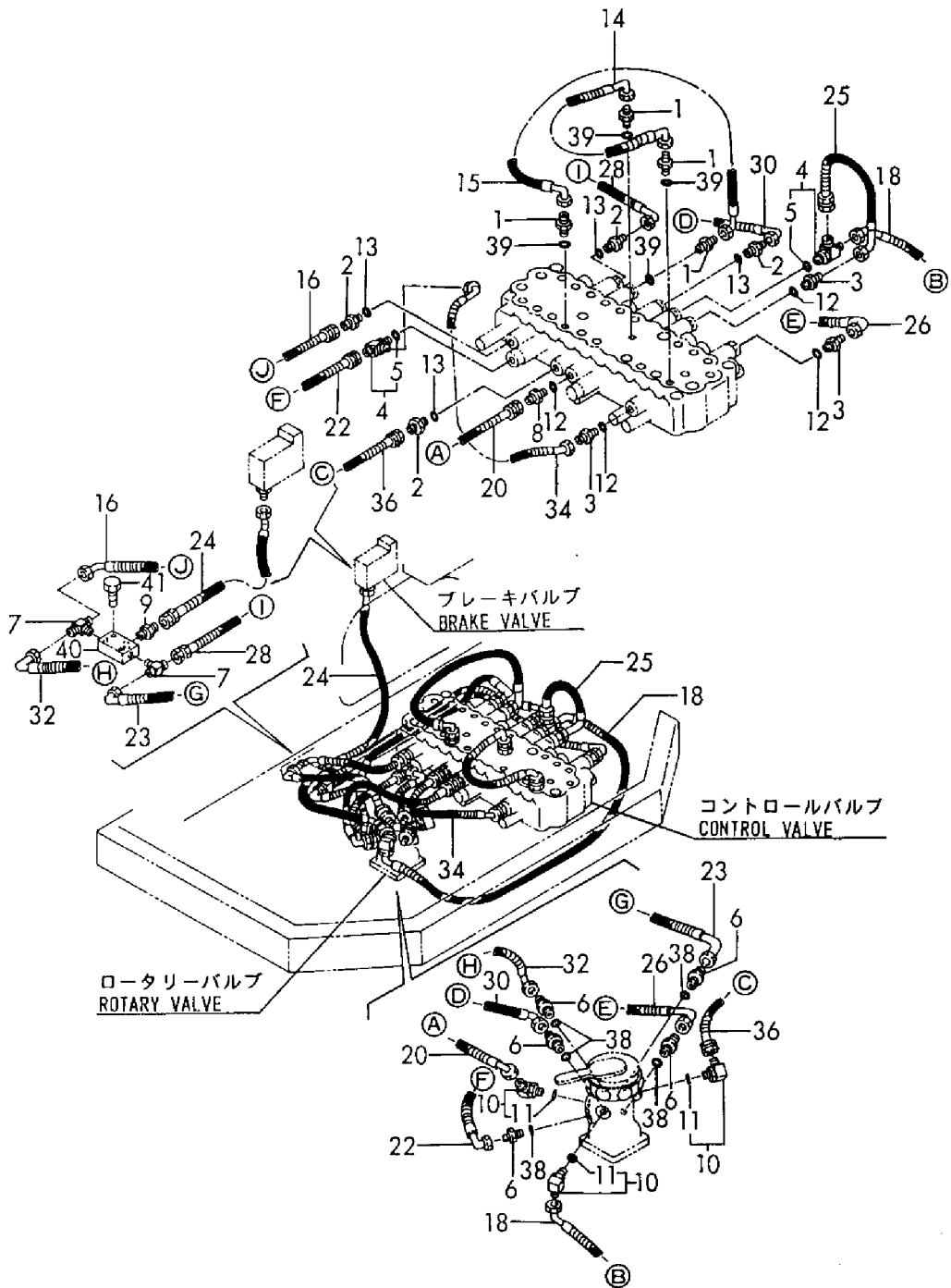
Fig. 76 コントロール配管(パイロットバルブ-マルチチェンジバルブ)  
CONTROL PIPING(PILOT VALVE  
-MULTI CHANGE VALVE)





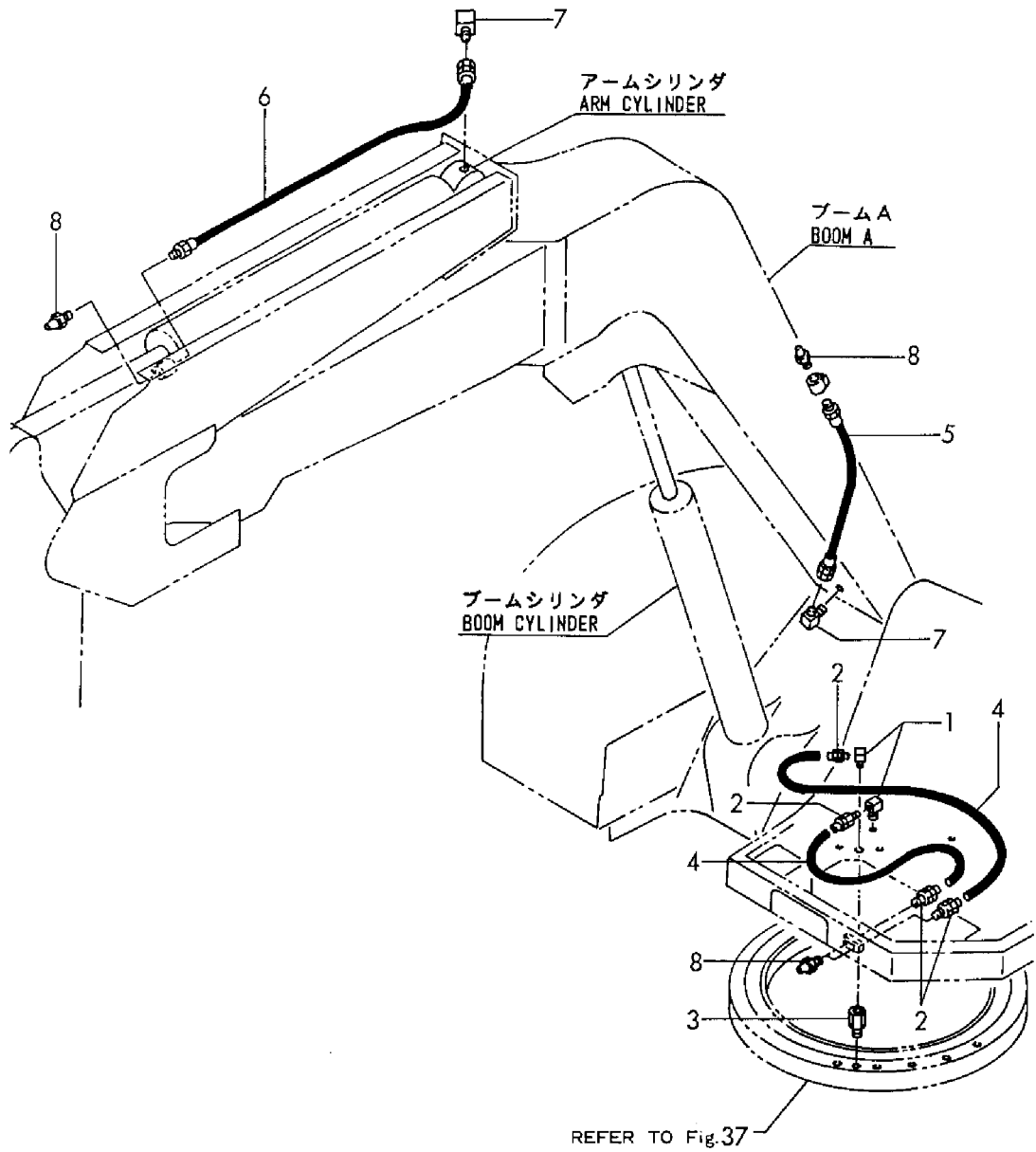
1,1,,172123-76120,, "CONNECTOR PF1/4",4,4,,,,,,,,,,,,,,,,,  
2,1,,172123-76120,, "CONNECTOR PF1/4",4,4,,,,,,,,,,,,,,,,,  
3,1,,172123-76120,, "CONNECTOR PF1/4",3,3,,,,,,,,,,,,,,,,,  
4,1,,172162-76180,, "JOINT 3-1/4 COMPL.",2,2,,,,,,,,,,,,,,,,,  
5,2,,24315-000110,, "O-RING 1B P-11.0",2,2,,,,,,,,,,,,,,,,,  
6,1,,172123-76120,, "CONNECTOR PF1/4",5,5,,,,,,,,,,,,,,,,,  
7,1,,172162-76320,, "CONNECTOR 3-1/4",2,2,,,,,,,,,,,,,,,,,  
8,1,,172162-76770,, "JOINT PF1/4",1,1,,,,,,,,,,,,,,,,,  
9,1,,23391-020000,, "JOINT RGI1/4",1,1,,,,,,,,,,,,,,,,,  
10,1,,172141-76180,, "CONNECTOR",3,3,,,,,,,,,,,,,,,,,  
11,2,,24315-000110,, "O-RING 1B P-11.0",3,3,,,,,,,,,,,,,,,,,  
12,1,,24315-000110,, "O-RING 1B P-11.0",4,4,,,,,,,,,,,,,,,,,  
13,1,,24315-000110,, "O-RING 1B P-11.0",4,4,,,,,,,,,,,,,,,,,  
14,1,,172162-78350,, "HOSE G604CC030",1,1,,,,,,,,,,,,,,,,,  
15,1,,172162-78360,, "HOSE G604CC058",1,1,,,,,,,,,,,,,,,,,  
16,1,,172162-78780,, "HOSE G604BC033S",1,1,,,,,,,,,,,,,,,,,  
16-1,1,,172162-78781,, "HOSE",1,1,,,,,N,,72162393,M00720,72162393,M00720,,,,,,,,,I  
18,1,,172162-78930,, "HOSE B G604CC112S",1,1,,,,,,,,,,,,,,,,,  
18-1,1,,172162-78931,, "HOSE B  
G504CC112S",1,1,,,,,N,,72162393,M00720,72162393,M00720,,,,,,,,,I  
20,1,,172162-78940,, "HOSE A G604BC065S",1,1,,,,,,,,,,,,,,,,,  
20-1,1,,172162-78941,, "HOSE A  
G504BC039S",1,1,,,,,N,,72162393,M00720,72162393,M00720,,,,,,,,,I  
22,1,,172162-78950,, "HOSE F G604CC036",1,1,,,,,,,,,,,,,,,,,  
22-1,1,,172162-78951,, "HOSE F  
G504BC036S",1,1,,,,,N,,72162393,M00720,72162393,M00720,,,,,,,,,I  
23,1,,172162-78960,, "HOSE G G604CC031",1,1,,,,,,,,,,,,,,,,,  
23-1,1,,172162-78961,, "HOSE G  
G504CC029S",1,1,,,,,N,,72162393,M00720,72162393,M00720,,,,,,,,,I  
24,1,,172162-78970,, "HOSE G604BE048S",1,1,,,,,,,,,,,,,,,,,  
24-1,1,,172162-78971,, "HOSE",1,1,,,,,N,,72162393,M00720,72162393,M00720,,,,,,,,,I  
25,1,,172162-78990,, "HOSE G604CC017",1,1,,,,,,,,,,,,,,,,,  
26,1,,172162-79120,, "HOSE E G604CC118S",1,1,,,,,,,,,,,,,,,,,  
26-1,1,,172162-79121,, "HOSE E  
G504CC118C",1,1,,,,,N,,72162393,M00720,72162393,M00720,,,,,,,,,I  
28,1,,172162-79140,, "HOSE G604BC065S",1,1,,,,,,,,,,,,,,,,,  
28-1,1,,172162-79141,, "HOSE",1,1,,,,,N,,72162393,M00720,72162393,M00720,,,,,,,,,I  
30,1,,172162-79170,, "HOSE D G604CE110S",1,1,,,,,,,,,,,,,,,,,  
30-1,1,,172162-79171,, "HOSE D  
G504CC110S",1,1,,,,,N,,72162393,M00720,72162393,M00720,,,,,,,,,I  
32,1,,172162-79180,, "HOSE H G604CE037S",1,1,,,,,,,,,,,,,,,,,  
32-1,1,,172162-79181,, "HOSE H  
G504CE035S",1,1,,,,,N,,72162393,M00720,72162393,M00720,,,,,,,,,I  
34,1,,172162-79190,, "HOSE G604CE039S",1,1,,,,,,,,,,,,,,,,,  
34-1,1,,172162-79191,, "HOSE  
G504CE039S",1,1,,,,,N,,72162393,M00720,72162393,M00720,,,,,,,,,I  
36,1,,172162-79240,, "HOSE C G604BC023S",1,1,,,,,,,,,,,,,,,,,  
36-1,1,,172162-79241,, "HOSE C  
G504BB023S",1,1,,,,,N,,72162393,M00720,72162393,M00720,,,,,,,,,I  
38,1,,24315-000110,, "O-RING 1B P-11.0",5,5,,,,,,,,,,,,,,,,,  
39,1,,24315-000110,, "O-RING 1B P-11.0",4,4,,,,,,,,,,,,,,,,,  
40,1,,172162-74120,, "VALVE COMP., SHUTTLE",1,1,,,,,,,,,,,,,,,,,  
41,1,,26013-060352,, "BOLT M 6X 35",2,2,,,,,,,,,,,,,,,,,

Fig. 77 コントロール配管(マルチチェンジバルブ-コントロールバルブ)  
 CONTROL PIPING(MULTI CHANGE VALVE  
 -CONTROL VALVE)



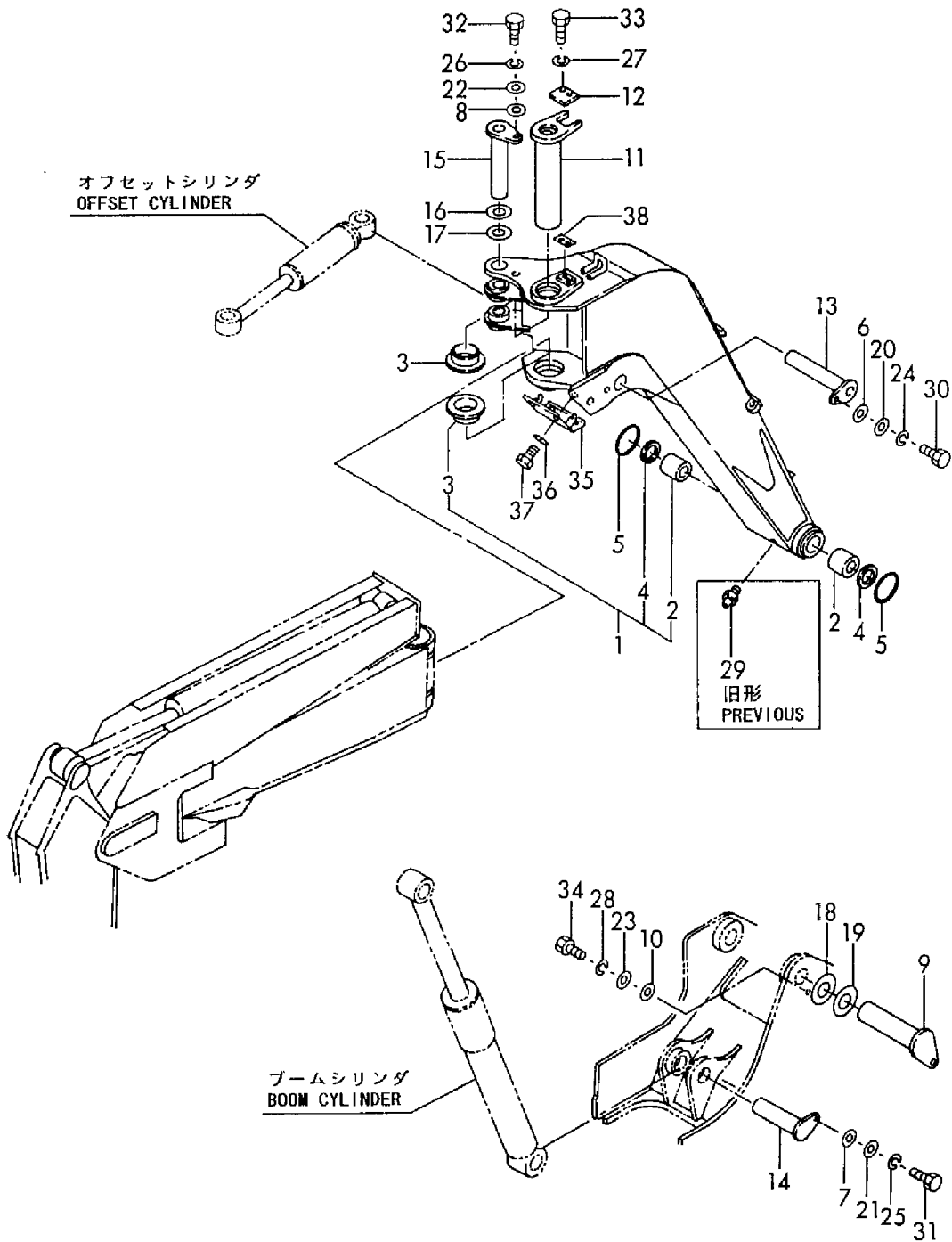
1,1,,172112-77480,, "ELBOW 1/8, STREET",2,2,2,2,2,,,,,,,,,,,,,  
2,1,,172141-77800,, "JOINT, GREASE",4,4,4,4,4,,,,,,,,,,,,,  
3,1,,172147-77800,, "CONNECTOR PT 1/8",1,1,1,1,1,,,,,,,,,,,,,  
4,1,,172142-77811,, HOSE,2,2,2,2,2,,,,,,,,,,,,,  
5,1,,172162-77810,, "HOSE P202  
AB120",1,1,1,1,1,,W,,72162229,M00504,72162229,M00504,,,,,,,,,  
6,1,,172162-77820,, "HOSE P202  
AB135",1,1,1,1,1,,W,,72162229,M00504,72162229,M00504,,,,,,,,,  
7,1,,172112-77660,, "L-JOINT  
1/8",2,2,2,2,2,,W,,72162229,M00504,72162229,M00504,,,,,,,,,  
8,1,,24761-020000,, "NIPPLE  
PT1/8,GREASE",4,4,4,4,4,,W,,72162229,M00504,72162229,M00504,,,,,,,,,

Fig. 78 遠隔グリーシング  
GREASING



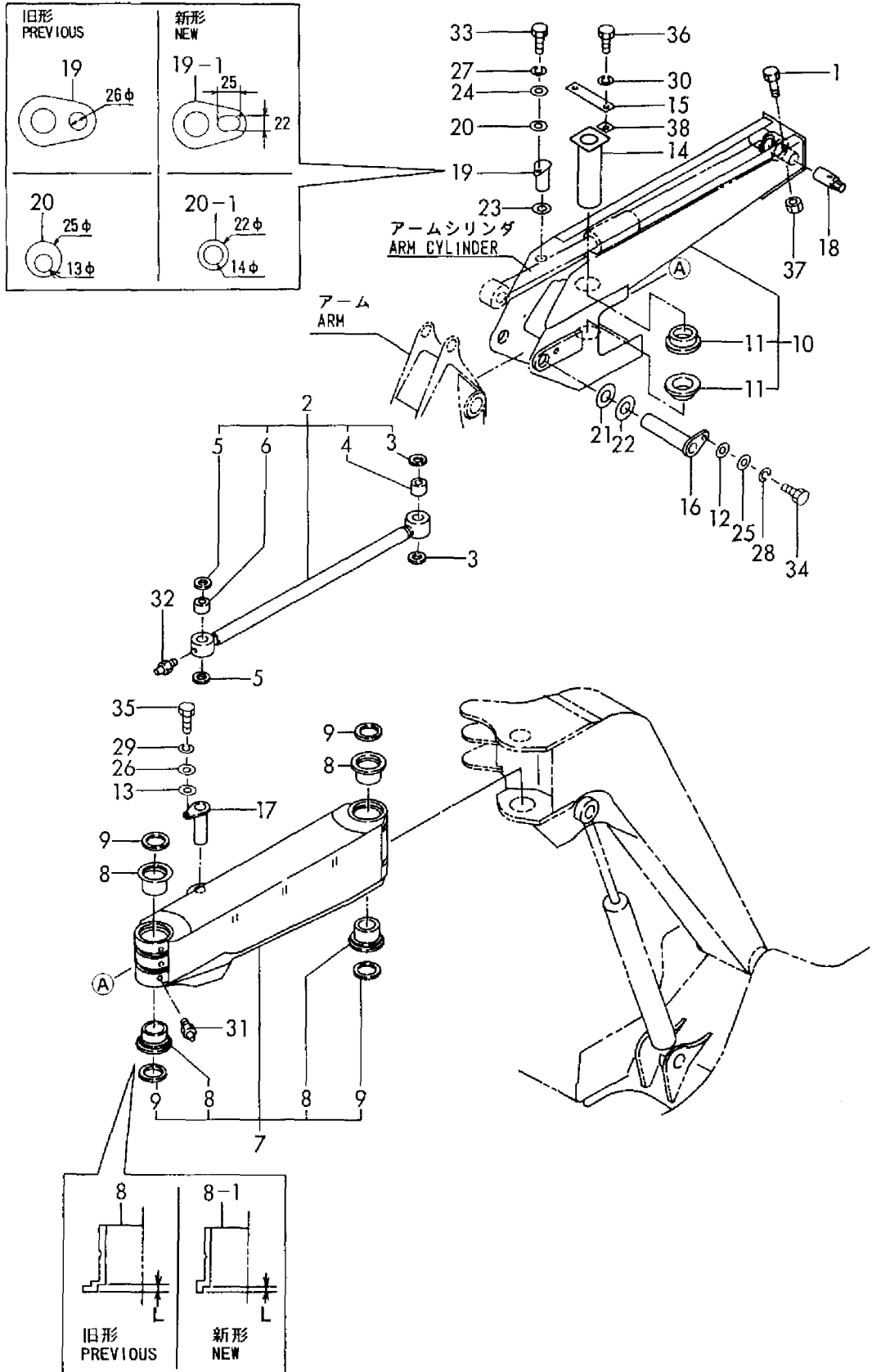
1,1,,172162-81100,, "BOOM A COMPL.",1,1,,,,,,,,,,,,,  
1-1,1,,172162-81101,, "BOOM A  
COMPL.",1,1,1,1,1,1,,S,,72162138,M00504,72162138,M00504,,,,,,,,,  
2,2,,172162-81370,, "BUSH 80X95",2,2,2,2,2,,,,,,,,,,,,,  
3,2,,172162-81380,, "BUSH 100X50",2,2,2,2,2,,,,,,,,,,,,,  
4,2,,172162-81430,, "SEAL 80X95X5,DUST",2,2,2,2,2,,,,,,,,,,,,,  
5,1,,172162-81440,, "O-RING 132X8",2,2,2,2,2,,,,,,,,,,,,,  
6,1,,172147-81961,,SPACER,1,1,1,1,1,,,,,,,,,,,,,  
7,1,,172147-81961,,SPACER,1,1,1,1,1,,,,,,,,,,,,,  
8,1,,172147-81961,,SPACER,1,1,1,1,1,,,,,,,,,,,,,  
9,1,,172162-83200,, "PIN 80X491 COMPL.",1,1,1,1,1,,,,,,,,,,,,,  
10,1,,172162-83230,,SPACER,1,1,1,1,1,,,,,,,,,,,,,  
11,1,,172162-83240,, "PIN 100X470 COMPL.",1,1,1,1,1,,,,,,,,,,,,,  
12,1,,172162-83270,,PLATE,1,1,1,1,1,,,,,,,,,,,,,  
13,1,,172162-83320,, "PIN 70X264 COMPL.",1,1,1,1,1,,,,,,,,,,,,,  
14,1,,172162-83350,, "PIN 70X208 COMPL.",1,1,1,1,1,,,,,,,,,,,,,  
15,1,,172162-83420,, "PIN 60X298 COMPL.",1,1,1,1,1,,,,,,,,,,,,,  
16,1,,172162-83560,, "SHIM 60X120X0.5",4,4,,,,,,,,,,,,,  
16-1,1,,172147-  
82250,,SHIM,3,3,3,3,3,,N,,72162249,M00550,72162249,M00550,,,,,,,,,I  
17,1,,172162-83570,, "SHIM 60X120X1.2",4,4,,,,,,,,,,,,,  
17-1,1,,172147-  
82230,,SHIM,3,3,3,3,3,,N,,72162249,M00550,72162249,M00550,,,,,,,,,I  
18,1,,172162-83600,, "SHIM 80X155X0.5",1,1,1,1,1,,,,,,,,,,,,,  
19,1,,172162-83610,, "SHIM 80X155X1.2",1,1,1,1,1,,,,,,,,,,,,,  
20,1,,22157-140000,, "WASHER 14",1,1,1,1,1,,,,,,,,,,,,,  
21,1,,22157-140000,, "WASHER 14",1,1,1,1,1,,,,,,,,,,,,,  
22,1,,22157-140000,, "WASHER 14",1,1,1,1,1,,,,,,,,,,,,,  
23,1,,22157-140000,, "WASHER 14",1,1,1,1,1,,,,,,,,,,,,,  
24,1,,22217-140000,, "SPRING WASHER 14",1,1,1,1,1,,,,,,,,,,,,,  
25,1,,22217-140000,, "SPRING WASHER 14",1,1,1,1,1,,,,,,,,,,,,,  
26,1,,22217-140000,, "SPRING WASHER 14",1,1,1,1,1,,,,,,,,,,,,,  
27,1,,22217-140000,, "SPRING WASHER 14",2,2,2,2,2,,,,,,,,,,,,,  
28,1,,22217-140000,, "SPRING WASHER 14",1,1,1,1,1,,,,,,,,,,,,,  
29,1,,24761-040000,, "NIPPLE  
B,GREASE",1,1,,,,,Z,,72162229,M00504,72162229,M00504,,,,,,,,,  
30,1,,26116-140352,, "BOLT M14X 35 PLATED",1,1,1,1,1,,,,,,,,,,,,,  
31,1,,26116-140352,, "BOLT M14X 35 PLATED",1,1,1,1,1,,,,,,,,,,,,,  
32,1,,26116-140352,, "BOLT M14X 35 PLATED",1,1,1,1,1,,,,,,,,,,,,,  
33,1,,26116-140352,, "BOLT M14X 35 PLATED",2,2,,,,,,,,,,,,,  
33-1,1,,26116-140452,, "BOLT M14X 45  
PLATED",2,2,2,2,2,,N,,72162210,M00502,72162210,M00502,,,,,,,,,  
34,1,,26116-140402,, "BOLT M14X 40 PLATED",1,1,1,1,1,,,,,,,,,,,,,  
35,1,,172162-61620,, "COVER COMP.,LIGHT",1,1,1,1,1,,,,,,,,,,,,,  
36,1,,22157-100000,, "WASHER 10",4,4,4,4,4,,,,,,,,,,,,,  
37,1,,26013-100202,, "BOLT W/WASHER M10X20",4,4,4,4,4,,,,,,,,,,,,,  
38,1,,172162-81000,,PLATE,1,1,1,1,1,,W,,72162210,M00504,72162210,M00504,,,,,,,,,  
38-1,1,,172162-  
81000,,PLATE,1,1,1,1,1,,Z,,72162365,M00653,72162365,M00653,,,,,,,,,I

Fig. 79 ブーム(A)  
BOOM(A)



1,1,,1A1180-59650,, "BOLT 12X180",1,1,1,1,1,,,,,,,,,,,,,  
2,1,,172162-81010,, "ROD COMP.,OFFSET",1,1,1,1,1,,,,,,,,,,,,,  
3,2,,172162-81050,, "SEAL 60X75X6,DUST",2,2,2,2,2,,,,,,,,,,,,,  
4,2,,172162-81060,, "BUSH 60X55",1,1,1,1,1,,,,,,,,,,,,,  
5,2,,172112-87750,, "SEAL #DKIY 45X55X4",2,2,,,,,,,,,,,,,  
5-1,2,,933126-44500,, "SEAL  
VAY45X55X4,DUST",2,2,2,2,2,,R,,72147191,M01017,72147191,M01017,,,,,,,,,I  
6,2,,933125-30000,, "BUSH 45 50",1,1,1,1,1,,,,,,,,,,,,,  
7,1,,172162-81500,, "BOOM B COMPL.",1,1,1,1,1,,,,,,,,,,,,,  
8,2,,172162-81620,, "BUSH 100X90",4,4,,,,,2,,,,,,,,,,,,,  
8-1,2,,172162-81621,, "BUSH  
100X90",4,4,4,4,4,,R,2,72162305,M00550,72162305,M00550,,,,,,,,,I  
9,2,,172162-81680,, "SEAL 100X120X7,DUST",4,4,4,4,4,,,,,,,,,,,,,  
10,1,,172162-81700,, "BOOM C COMPL.",1,1,,,,,,,,,,,,,  
10-1,1,,172162-81701,, "BOOM C  
COMPL.",1,1,1,1,1,,N,,72162210,M00504,72162210,M00504,,,,,,,,,  
11,2,,172162-81380,, "BUSH 100X50",2,2,2,2,2,,,,,,,,,,,,,  
12,1,,172147-81961,, "SPACER",1,1,1,1,1,,,,,,,,,,,,,  
13,1,,172147-81961,, "SPACER",1,1,1,1,1,,,,,,,,,,,,,  
14,1,,172162-83280,, "PIN 100X362 COMPL.",1,1,1,1,1,,,,,,,,,,,,,  
15,1,,172162-83310,, "PLATE",1,1,1,1,1,,,,,,,,,,,,,  
16,1,,172162-83380,, "PIN 70X290 COMPL.",1,1,1,1,1,,,,,,,,,,,,,  
17,1,,172162-83400,, "PIN 60X133 COMPL.",1,1,1,1,1,,,,,,,,,,,,,  
18,1,,172162-83440,, "PIN 60X64 COMPL.",1,1,1,1,1,,,,,,,,,,,,,  
19,1,,172162-83470,, "PIN 45X120 COMPL.",1,1,,,,,,,,,,,,,  
19-1,1,,172162-83471,, "PIN 45X120  
COMPL.",1,1,1,1,1,,F,1,72162465,M01157,72162465,M01157,,,,,,,,,I  
20,1,,172162-83490,, "SPACER",1,1,,,,,,,,,,,,,  
20-1,1,,172164-  
81670,, "SPACER",1,1,1,1,1,,S,1,72162465,M01157,72162465,M01157,,,,,,,,,I  
21,1,,172162-83580,, "SHIM 70X135X0.5",3,3,3,3,3,,,,,,,,,,,,,  
22,1,,172162-83590,, "SHIM 70X135X1.2",3,3,3,3,3,,,,,,,,,,,,,  
23,1,,172112-87840,, "SHIM 45X1",1,1,1,1,1,,,,,,,,,,,,,  
24,1,,22157-120000,, "WASHER 12",1,1,1,1,1,,,,,,,,,,,,,  
25,1,,22157-140000,, "WASHER 14",1,1,1,1,1,,,,,,,,,,,,,  
26,1,,22157-140000,, "WASHER 14",1,1,1,1,1,,,,,,,,,,,,,  
27,1,,22217-120000,, "SPRING WASHER",1,1,1,1,1,,,,,,,,,,,,,  
28,1,,22217-140000,, "SPRING WASHER 14",1,1,1,1,1,,,,,,,,,,,,,  
29,1,,22217-140000,, "SPRING WASHER 14",1,1,1,1,1,,,,,,,,,,,,,  
30,1,,22217-140000,, "SPRING WASHER 14",2,2,2,2,2,,,,,,,,,,,,,  
31,1,,24761-040000,, "NIPPLE B,GREASE",6,6,6,6,6,,,,,,,,,,,,,I  
32,1,,24761-040000,, "NIPPLE B,GREASE",2,2,2,2,2,,,,,,,,,,,,,  
33,1,,26116-120302,, "BOLT M12X 30 PLATED",1,1,1,1,1,,,,,,,,,,,,,  
34,1,,26116-140352,, "BOLT M14X 35 PLATED",1,1,1,1,1,,,,,,,,,,,,,  
35,1,,26116-140352,, "BOLT M14X 35 PLATED",1,1,1,1,1,,,,,,,,,,,,,  
36,1,,26116-140352,, "BOLT M14X 35 PLATED",2,2,,,,,,,,,,,,,  
36-1,1,,26116-140452,, "BOLT M14X 45  
PLATED",2,2,2,2,2,,N,,72162210,M00502,72162210,M00502,,,,,,,,,  
37,1,,26716-120002,, "NUT 12",2,2,2,2,2,,,,,,,,,,,,,  
38,1,,172122-61521,, "PLATE",2,2,,,,,W,,72162210,M00504,72162210,M00504,,,,,,,,,  
38-1,1,,172122-  
61521,, "PLATE",2,2,2,2,2,,Z,,72162365,M00653,72162365,M00653,,,,,,,,,I

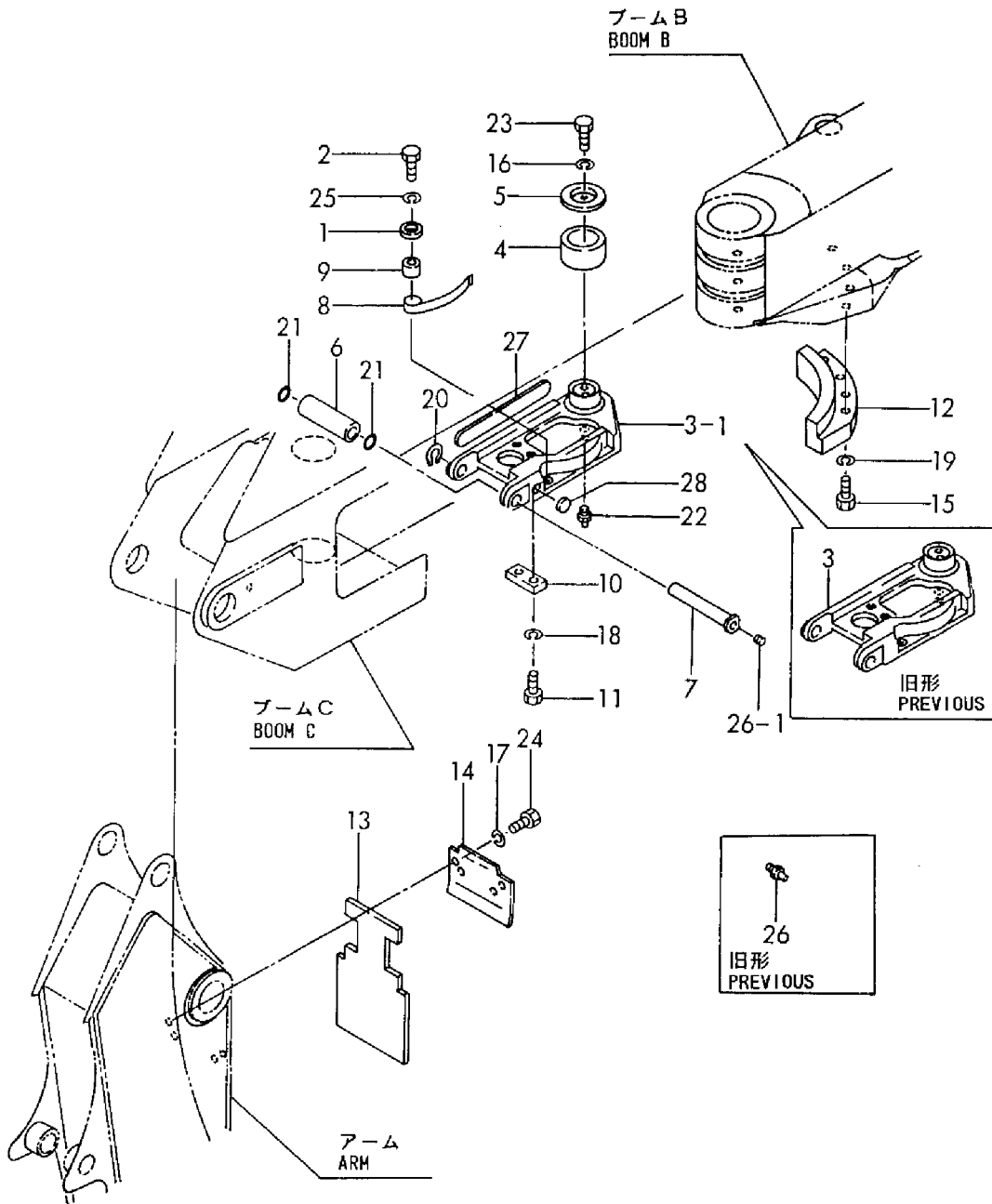
Fig. 80 ブーム(B)  
BOOM(B)





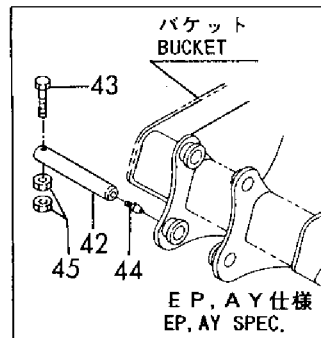
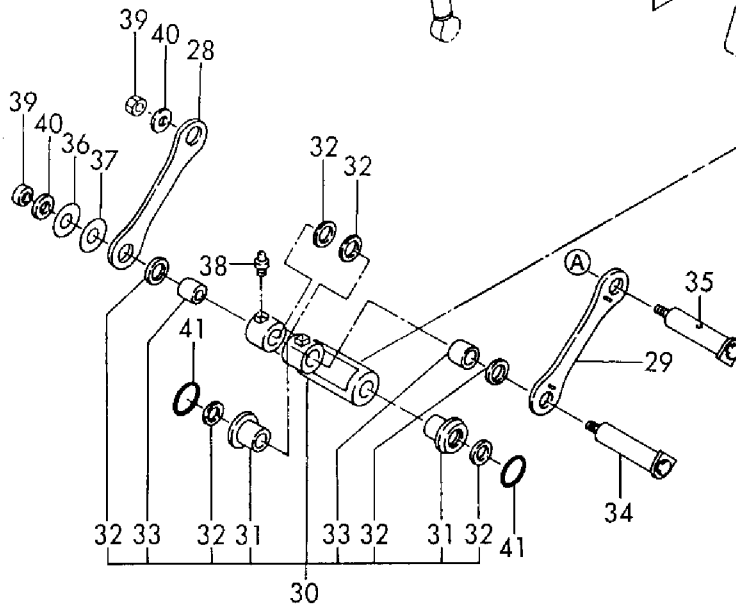
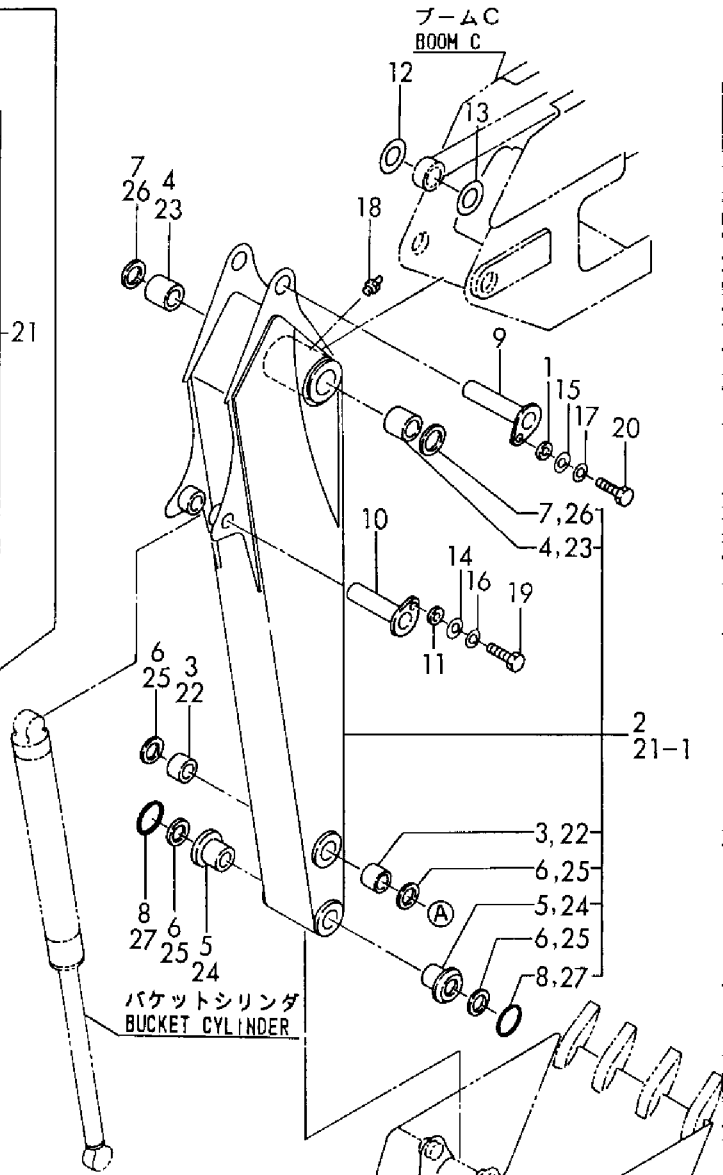
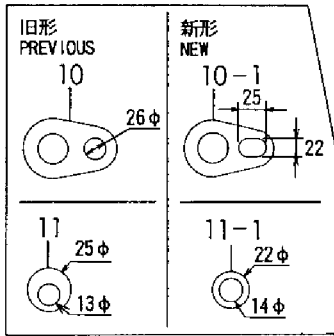
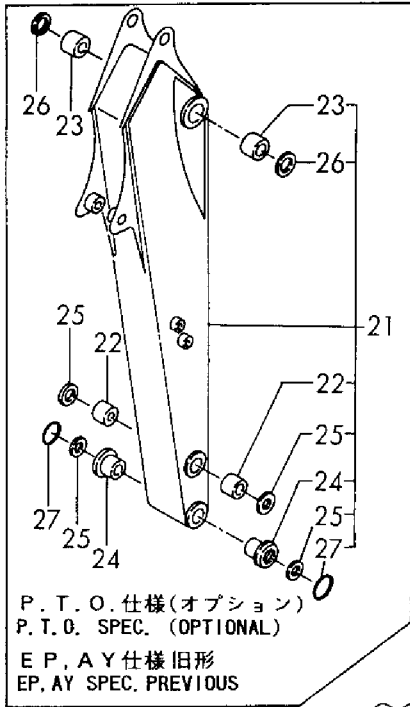
1,1,,194145-04810,, "WASHER 10",1,1,1,1,1,,,,,,,,,,,,,  
2,1,,172155-57610,, "BOLT M10X45",1,1,1,1,1,,,,,,,,,,,,,  
3,1,,172162-85101,, "PLATE COMP.,SLIDE",1,1,,,,,,,,,,,,,  
3-1,1,,172162-85103,, PLATE,1,1,,,,,F,1,72162310,M00536,72162310,M00536,,,,,,,,,I  
3-2,1,,172162-85105,, "PLATE ASSY,  
SLIDE",1,1,1,1,1,,N,,72162324,M00539,72162324,M00539,,,,,,,,,I  
4,1,,172162-85130,, ROLLER,1,1,1,1,1,,,,,,,,,,,,,  
5,1,,172162-85140,, PLATE,1,1,1,1,1,,,,,,,,,,,,,  
6,1,,172162-85150,, ROLLER,1,1,1,1,1,,,,,,,,,,,,,  
7,1,,172162-85160,, "PIN 40X192.7",1,1,,,,,,,,,,,,,  
7-1,1,,172162-85340,, "PIN  
40X192.7",1,1,1,1,1,,N,,72162335,M00578,72162335,M00578,,,,,,,,,I  
8,1,,172162-85170,, "SPRING T4.5",1,1,1,1,1,,,,,,,,,,,,,  
9,1,,172162-85180,, "COLLAR 17.3X27",1,1,1,1,1,,,,,,,,,,,,,  
10,1,,172162-85190,, STOPPER,1,1,1,1,1,,,,,,,,,,,,,  
11,1,,26116-140652,, "BOLT M14X 65 PLATED",2,2,,,,,,,,,,,,,  
11-1,1,,26116-140502,, "BOLT M14X  
50",2,2,2,2,2,,S,,72162186,M00502,72162186,M00502,,,,,,,,,  
12,1,,172162-85210,, "PLATE,CAM",1,1,1,1,1,,,,,,,,,,,,,  
13,1,,172162-85220,, PROTECTOR,1,1,1,1,1,,,,,,,,,,,,,  
14,1,,172162-85230,, "PLATE,PROTECTOR KEEP",1,1,1,1,1,,,,,,,,,,,,,  
15,1,,26116-160502,, "BOLT M16X 50 PLATED",4,4,4,4,4,,,,,,,,,,,,,  
16,1,,22217-100000,, "SPRING WASHER 10",2,2,2,2,2,,,,,,,,,,,,,  
17,1,,22217-120000,, "SPRING WASHER",4,4,4,4,4,,,,,,,,,,,,,  
18,1,,22217-140000,, "SPRING WASHER 14",2,2,2,2,2,,,,,,,,,,,,,  
19,1,,22217-160000,, "SPRING WASHER 16",4,4,4,4,4,,,,,,,,,,,,,  
20,1,,22242-000401,, "CIRCLIP 40-S",1,1,1,1,1,,,,,,,,,,,,,  
21,1,,24351-020400,, "O-RING 1A 2040",2,2,2,2,2,,,,,,,,,,,,,  
22,1,,24761-020000,, "NIPPLE PT1/8,GREASE",1,1,1,1,1,,,,,,,,,,,,,  
23,1,,26116-100202,, "BOLT M10X 20 PLATED",2,2,2,2,2,,,,,,,,,,,,,  
24,1,,26116-120202,, "BOLT M12X 20 PLATED",4,4,4,4,4,,,,,,,,,,,,,  
25,1,,22217-100000,, "SPRING WASHER  
10",1,1,1,1,1,,W,,72162256,M00504,72162256,M00504,,,,,,,,,  
26,1,,24761-020000,, "NIPPLE PT1/8,GREASE",1,1,,,,,,,,,,,,,  
26-1,1,,933171-13691,, "PLUG  
PT1/8",1,1,,,,,N,,72162263,M00504,72162263,M00504,,,,,,,,,  
26-2,1,,933171-13691,, "PLUG  
PT1/8",1,1,,,,,Z,,72162264,M00620,72162264,M00620,,,,,,,,,  
27,1,,172162-85270,, "LINER  
A",1,1,1,1,1,,W,,72162310,M00536,72162310,M00536,,,,,,,,,I  
28,1,,172162-85280,, "LINER  
B",1,1,1,1,1,,W,,72162310,M00536,72162310,M00536,,,,,,,,,I

Fig. 81 アームストッパ  
ARM STOPPER



1,1,,172147-81961,,SPACER,1,1,1,1,1,,,,,,,,,,,,,  
2,1,,172162-82100,, "ARM W/BUSH",1,1,1,,,,,,,,,,,,,  
3,2,,172147-81450,, "BUSH 50X80",2,2,2,,,,,,,,,,,,,  
3-1,2,,172147-81451,, "BUSH  
50X75",2,2,2,,,,,R,,72165061,M00531,72165061,M00531,,,,,,,,,I  
4,2,,172162-82280,, "BUSH 70-85",2,2,2,,,,,,,,,,,,,  
5,2,,172162-82330,, "BUSH 50-60",2,2,2,,,,,,,,,,,,,  
6,2,,172162-82340,, "SEAL 50X60X6,DUST",4,4,4,,,,,,,,,,,,,  
7,2,,172162-82350,, "SEAL 70X85X6,DUST",2,2,2,,,,,,,,,,,,,  
8,2,,172162-82360,, "O-RING 86X8",2,2,2,,,,,,,,,,,,,  
9,1,,172162-82400,, "PIN 60X176 COMPL.",1,1,1,1,1,,,,,,,,,,,,,  
10,1,,172162-82420,, "PIN 50X154 COMPL.",1,1,,,,,,,,,,,,,  
10-1,1,,172162-  
82421,,PIN,1,1,1,1,1,,F,2,72162465,M01157,72162465,M01157,,,,,,,,,I  
11,1,,172162-83490,,SPACER,1,1,,,,,,,,,,,,,  
11-1,1,,172164-  
81670,,SPACER,1,1,1,1,1,,S,2,72162465,M01157,72162465,M01157,,,,,,,,,I  
12,1,,172162-83560,, "SHIM 60X120X0.5",1,1,1,,,,,,,,,,,,,  
12-1,1,,172147-  
82250,,SHIM,3,3,3,3,3,,N,,72162249,M00550,72162249,M00550,,,,,,,,,I  
13,1,,172162-83570,, "SHIM 60X120X1.2",1,1,1,,,,,,,,,,,,,  
13-1,1,,172147-  
82230,,SHIM,3,3,3,3,3,,N,,72162249,M00550,72162249,M00550,,,,,,,,,I  
14,1,,22157-120000,, "WASHER 12",1,1,1,1,1,,,,,,,,,,,,,  
15,1,,22157-140000,, "WASHER 14",1,1,1,1,1,,,,,,,,,,,,,  
16,1,,22217-120000,, "SPRING WASHER",1,1,1,1,1,,,,,,,,,,,,,  
17,1,,22217-140000,, "SPRING WASHER 14",1,1,1,1,1,,,,,,,,,,,,,  
18,1,,24761-040000,, "NIPPLE B,GREASE",1,1,1,1,1,,,,,,,,,,,,,  
19,1,,26116-120302,, "BOLT M12X 30 PLATED",1,1,1,1,1,,,,,,,,,,,,,  
20,1,,26116-140352,, "BOLT M14X 35 PLATED",1,1,1,1,1,,,,,,,,,,,,,  
21,1,,172162-82950,, "ARM COMP.,3RD",1,1,1,1,1,,1,,,,,,,,,,,,,  
21-1,1,,172162-82100,, "ARM  
W/BUSH",,,,1,1,,S,,,,,,,,,72147203,M01155,72147203,M01155,,,I  
22,3,,172147-81450,, "BUSH 50X80",1,1,1,1,1,,,,,,,,,,,,,  
23,3,,172162-82280,, "BUSH 70-85",1,1,1,1,1,,,,,,,,,,,,,  
24,3,,172162-82330,, "BUSH 50-60",2,2,2,2,2,,,,,,,,,,,,,  
25,3,,172162-82340,, "SEAL 50X60X6,DUST",4,4,4,4,4,,,,,,,,,,,,,  
26,3,,172162-82350,, "SEAL 70X85X6,DUST",2,2,2,2,2,,,,,,,,,,,,,  
27,3,,172162-82360,, "O-RING 86X8",2,2,2,2,2,,,,,,,,,,,,,  
28,1,,172162-82500,, "ARM R,BUCKET",1,1,1,1,1,,,,,,,,,,,,,  
29,1,,172162-82510,, "ARM L COMP.,BUCKET",1,1,1,1,1,,,,,,,,,,,,,  
30,1,,172162-82530,, "LINK COMP.,BUCKET",1,1,1,1,1,,,,,,,,,,,,,  
31,2,,172162-82330,, "BUSH 50-60",2,2,2,2,2,,,,,,,,,,,,,  
32,2,,172162-82340,, "SEAL 50X60X6,DUST",6,6,6,6,6,,,,,,,,,,,,,  
33,2,,172162-82570,, "BUSH 50X60",2,2,2,2,2,,,,,,,,,,,,,  
34,1,,172162-83500,, "PIN 50X245 COMPL.",1,1,1,1,1,,,,,,,,,,,,,  
35,1,,172162-83520,, "PIN 50X245 COMPL.",1,1,1,1,1,,,,,,,,,,,,,  
36,1,,172162-83540,, "SHIM 50X110X0.5",1,1,1,1,1,,,,,,,,,,,,,  
37,1,,172162-83550,, "SHIM 50X110X1.2",1,1,1,1,1,,,,,,,,,,,,,  
38,1,,24761-020000,, "NIPPLE PT1/8,GREASE",2,2,2,2,2,,,,,,,,,,,,,  
39,1,,933110-86600,, "NUT M24, NYLON",2,2,2,2,2,,,,,,,,,,,,,  
40,1,,933171-29760,, WASHER,2,2,2,2,2,,,,,,,,,,,,,  
41-1,1,,172162-82360,, "O-RING 86X8",2,2,2,2,2,,M,,,,,,,,,,,,,  
42,1,,172162-82920,, "PIN 50X342",,,,2,2,,,,,,,,,,,,,  
43,1,,172162-82970,, "BOLT M12X110",,,,2,2,,,,,,,,,,,,,  
44,1,,24761-020000,, "NIPPLE PT1/8,GREASE",,,,2,2,,,,,,,,,,,,,  
45,1,,26716-120002,, "NUT 12",,,,4,4,,,,,,,,,,,,,

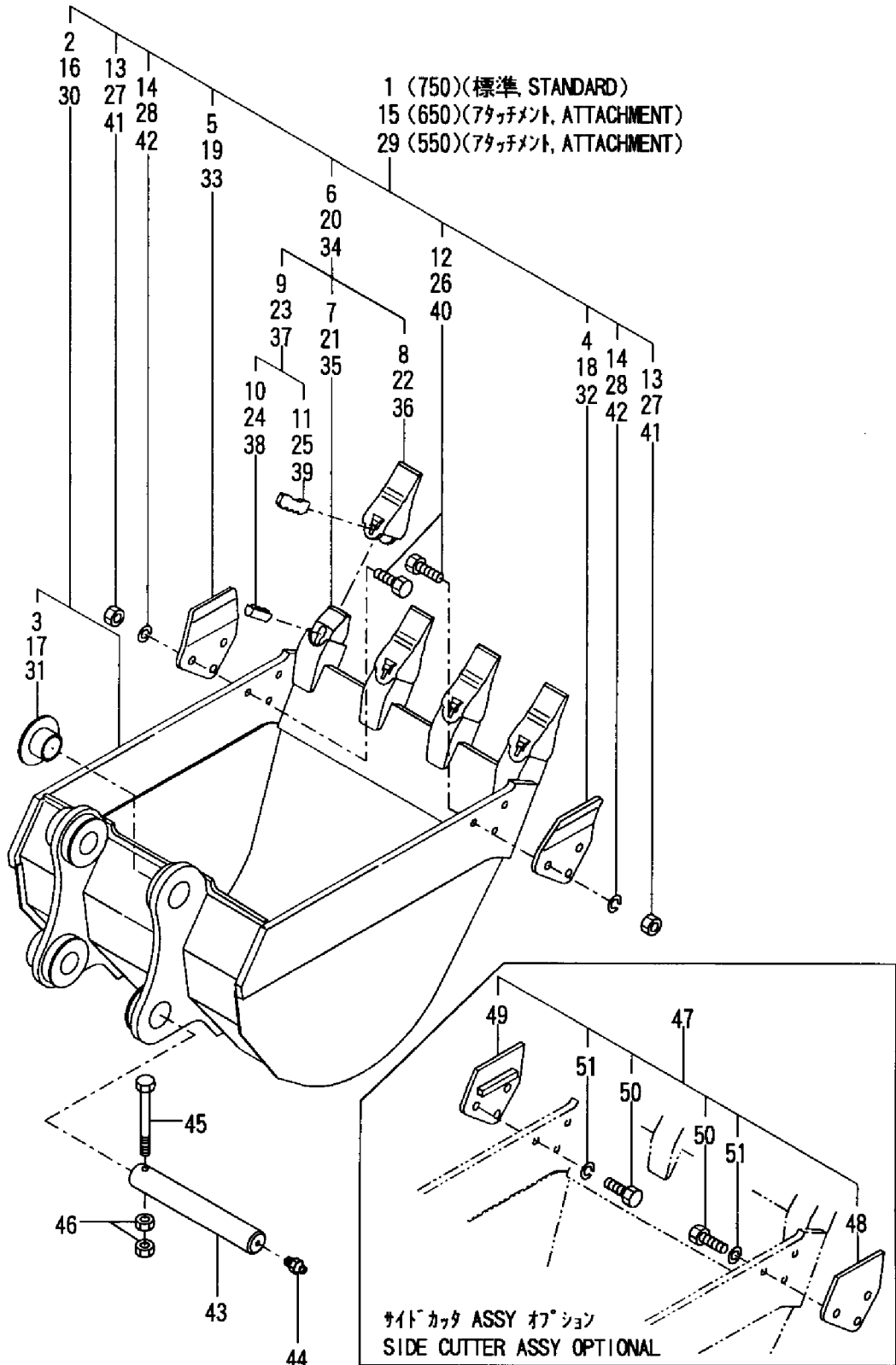
Fig. 82 アーム  
ARM



1,1,,772162-81400,, "BUCKET ASSY 750",1,1,1,,,,,,,,,,,,,  
2,2,,172162-82600,, BUCKET,1,1,,,,,,,,,,,,,  
2-1,2,,172162-  
82601,, BUCKET,1,1,1,,,N,,72162381,M00720,72162381,M00720,,,,,,,,,I  
3,3,,172162-82810,, "BUSH 50-40",4,4,4,,,,,,,,,,,,,  
4,2,,172162-82820,, "TEETH, SIDE (L)",1,1,1,,,,,,,,,,,,,  
5,2,,172162-82840,, "TEETH, SIDE (R)",1,1,1,,,,,,,,,,,,,  
6,2,,772162-82870,, "TEETH ASSY",4,4,4,,,,,,,,,,,,,  
7,3,,172162-82870,, ADAPTER,4,4,4,,,,,,,,,,,,,  
8,3,,172162-82880,, POINT,4,4,4,,,,,,,,,,,,,  
9,3,,172162-82890,, "PIN ASSY, LOCK",4,4,4,,,,,,,,,,,,,  
10,4,,172162-82900,, "PIN, RUBBER",4,4,4,,,,,,,,,,,,,  
11,4,,172162-82910,, PIN,4,4,4,,,,,,,,,,,,,  
12,2,,172162-82930,, "BOLT M16X 50 PLATED",6,6,6,,,,,,,,,,,,,  
13,2,,172162-82940,, "NUT M16",6,6,6,,,,,,,,,,,,,  
14,2,,22217-160000,, "SPRING WASHER 16",6,6,6,,,,,,,,,,,,,  
15,1,,772162-81410,, "BUCKET ASSY 650",1,1,1,,,,,1,,,,,,,,,  
16,2,,172162-83100,, "BUCKET 650",1,1,,,,,,,,,,,,,  
16-1,2,,172162-83101,, "BUCKET  
650",1,1,1,,,N,,72162381,M00790,72162381,M00790,,,,,,,,,I  
17,3,,172162-82810,, "BUSH 50-40",4,4,4,,,,,,,,,,,,,  
18,2,,172162-82820,, "TEETH, SIDE (L)",1,1,1,,,,,,,,,,,,,  
19,2,,172162-82840,, "TEETH, SIDE (R)",1,1,1,,,,,,,,,,,,,  
20,2,,772162-82870,, "TEETH ASSY",4,4,4,,,,,,,,,,,,,  
21,3,,172162-82870,, ADAPTER,4,4,4,,,,,,,,,,,,,  
22,3,,172162-82880,, POINT,4,4,4,,,,,,,,,,,,,  
23,3,,172162-82890,, "PIN ASSY, LOCK",4,4,4,,,,,,,,,,,,,  
24,4,,172162-82900,, "PIN, RUBBER",4,4,4,,,,,,,,,,,,,  
25,4,,172162-82910,, PIN,4,4,4,,,,,,,,,,,,,  
26,2,,172162-82930,, "BOLT M16X 50 PLATED",6,6,6,,,,,,,,,,,,,  
27,2,,172162-82940,, "NUT M16",6,6,6,,,,,,,,,,,,,  
28,2,,22217-160000,, "SPRING WASHER 16",6,6,6,,,,,,,,,,,,,  
29,1,,772162-81420,, "BUCKET ASSY 550",1,1,1,,,,,1,,,,,,,,,  
30,2,,172162-84100,, "BUCKET 550",1,1,,,,,,,,,,,,,  
30-1,2,,172162-84101,, "BUCKET  
550",1,1,1,,,N,,72162381,M00790,72162381,M00790,,,,,,,,,I  
31,3,,172162-82810,, "BUSH 50-40",4,4,4,,,,,,,,,,,,,  
32,2,,172162-82820,, "TEETH, SIDE (L)",1,1,1,,,,,,,,,,,,,  
33,2,,172162-82840,, "TEETH, SIDE (R)",1,1,1,,,,,,,,,,,,,  
34,2,,772162-82870,, "TEETH ASSY",4,4,4,,,,,,,,,,,,,  
35,3,,172162-82870,, ADAPTER,4,4,4,,,,,,,,,,,,,  
36,3,,172162-82880,, POINT,4,4,4,,,,,,,,,,,,,  
37,3,,172162-82890,, "PIN ASSY, LOCK",4,4,4,,,,,,,,,,,,,  
38,4,,172162-82900,, "PIN, RUBBER",4,4,4,,,,,,,,,,,,,  
39,4,,172162-82910,, PIN,4,4,4,,,,,,,,,,,,,  
40,2,,172162-82930,, "BOLT M16X 50 PLATED",6,6,6,,,,,,,,,,,,,  
41,2,,172162-82940,, "NUT M16",6,6,6,,,,,,,,,,,,,  
42,2,,22217-160000,, "SPRING WASHER 16",6,6,6,,,,,,,,,,,,,  
43,1,,172162-82920,, "PIN 50X342",2,2,2,,,,,,,,,,,,,  
44,1,,24761-020000,, "NIPPLE PT1/8,GREASE",2,2,2,,,,,,,,,,,,,  
45,1,,26116-121102,, "BOLT M12X110 PLATED",2,2,,,,,,,,,,,,,  
45-1,1,,172162-82970,, "BOLT  
M12X110",2,2,2,,,R,,72162296,M00639,72162296,M00639,,,,,,,,,I  
46,1,,26716-120002,, "NUT 12",4,4,4,,,,,,,,,,,,,  
47,1,,772162-81600,, "CUTTER,  
SIDE",1,1,1,,,W,2,72168231,\*1994.07,72168231,\*1994.07,,,,,,,,,  
48,2,,172151-86210,, "CUTTER (L)  
ASSY,SIDE",1,1,1,,,W,2,72168231,\*1994.07,72168231,\*1994.07,,,,,,,,,  
49,2,,172151-86220,, "CUTTER (R)  
ASSY,SIDE",1,1,1,,,W,2,72168231,\*1994.07,72168231,\*1994.07,,,,,,,,,  
50,2,,172162-82980,, "BOLT M16X  
35",6,6,6,,,W,2,72168231,\*1994.07,72168231,\*1994.07,,,,,,,,,

51,2,,22217-160000,, "SPRING WASHER  
16",6,6,6,,,,W,2,72168231,\*1994.07,72168231,\*1994.07,,,,,,

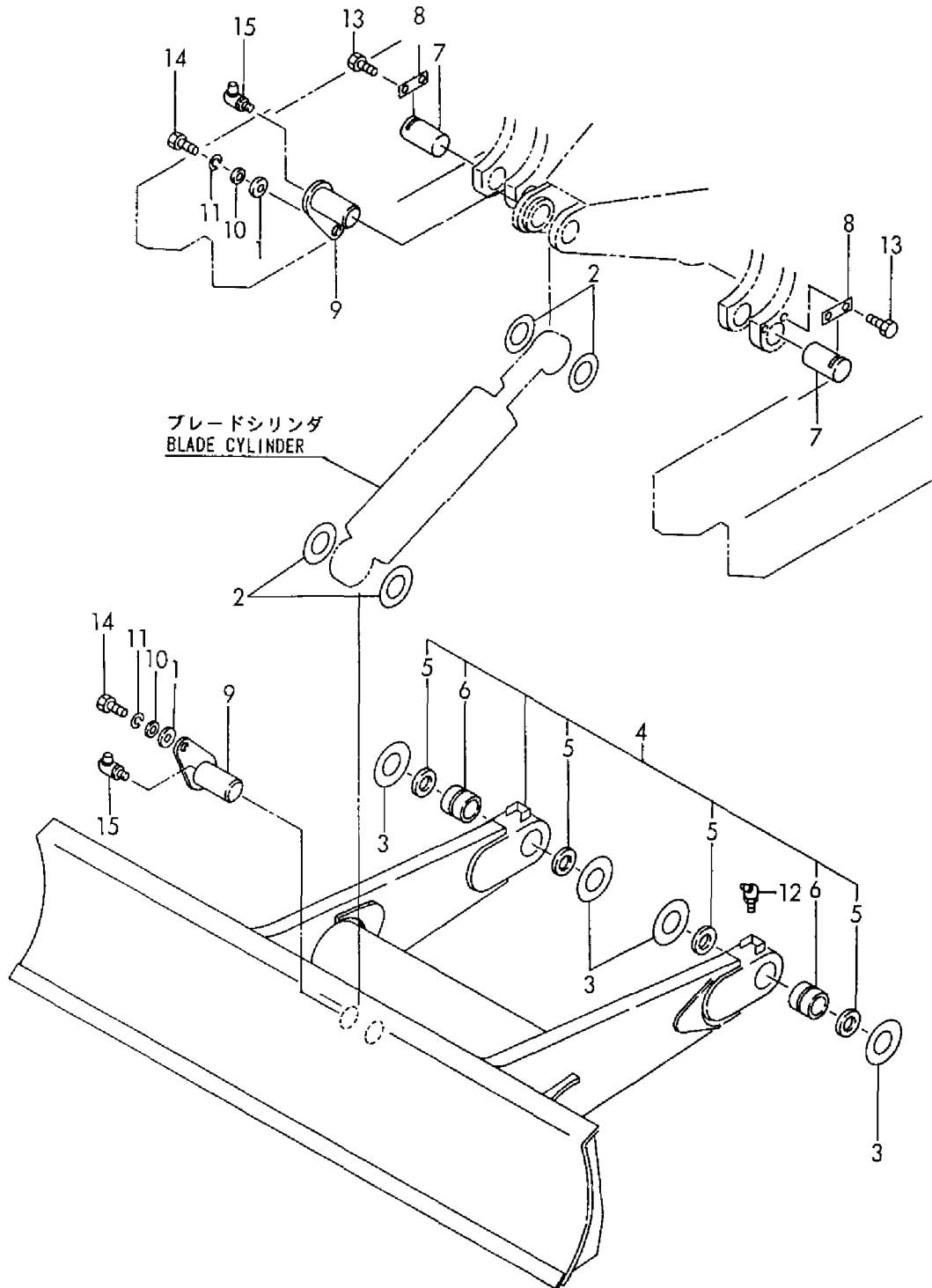
Fig. 83 バケット  
BUCKET



1,1,,172147-81961,,SPACER,2,2,2,2,2,,,,,,,,,,,,,  
2,1,,172162-83560,,,"SHIM 60X120X0.5",4,4,,,,,,,,,,,,,  
2-1,1,,172147-  
82250,,SHIM,3,3,3,3,3,,N,,72162249,M00550,72162249,M00550,,,,,,,,,I  
3,1,,172162-83570,,,"SHIM 60X120X1.2",4,4,,,,,,,,,,,,,  
3-1,1,,172147-  
82230,,SHIM,3,3,3,3,3,,N,,72162249,M00550,72162249,M00550,,,,,,,,,I  
4,1,,172162-94100,,,"BLADE ASSY",1,1,1,1,1,,,,,,,,,,,,,  
5,2,,172162-81050,,,"SEAL 60X75X6,DUST",4,4,4,4,4,,,,,,,,,,,,,  
6,2,,172162-81060,,,"BUSH 60X55",2,2,2,2,2,,,,,,,,,,,,,  
7,1,,172162-94270,,PIN,2,2,2,2,2,,,,,,,,,,,,,  
8,1,,172162-94280,,,"PLATE,LOCK",2,2,2,2,2,,,,,,,,,,,,,  
9,1,,172162-94290,,PIN,2,2,2,2,2,,,,,,,,,,,,,  
10,1,,22157-140000,,,"WASHER 14",2,2,2,2,2,,,,,,,,,,,,,  
11,1,,22217-140000,,,"SPRING WASHER 14",2,2,2,2,2,,,,,,,,,,,,,  
12,1,,24761-040000,,,"NIPPLE B,GREASE",2,2,2,2,2,,,,,,,,,,,,,  
13,1,,26013-120302,,,"BOLT W/WASHER M12X30",4,4,4,4,4,,,,,,,,,,,,,  
14,1,,26117-140352,,,"BOLT M14X 35 PLATED",2,2,2,2,2,,,,,,,,,,,,,  
15,1,,24761-020000,,,"NIPPLE PT1/8,GREASE",2,2,2,2,2,,,,,,,,,,,,,



Fig. 84 ブレード  
BLADE



1,1,,172141-03202,, "LABEL,CAUTION",1,1,,,,,,,,,,,,,  
2,1,,172162-03241,, LABEL,1,,,,,,,,,,,,,  
3,1,,172142-03302,, "LABEL,CAUTION",1,1,,,,,,,,,,,,,  
4,1,,172162-03350,, LABEL,1,1,,,,,,,,,,,,,  
5,1,,172964-03370,, LABEL,1,1,,,,,,,,,,,,,  
6,1,,172964-03390,, "LABEL,WARNING",1,1,,,,,,,,,,,,,  
7,1,,172964-03480,, LABEL,1,1,,,,,,,,,,,,,  
7-1,1,,172964-  
03481,, LABEL,1,1,,,,,N,,72964011,\*1995.06,72964011,\*1995.06,,,,,,,,,I  
8,1,,172164-03500,, LABEL,1,1,,,,,,,,,,,,,  
9,1,,172164-03510,, LABEL,1,1,,,,,,,,,,,,,  
10,1,,172164-03520,, "LABEL,DANGER",1,1,,,,,,,,,,,,,  
11,1,,172164-03530,, "LABEL,WARNING",1,,,,,,,,,,,,,  
12,1,,172164-03540,, LABEL,1,1,,,,,,,,,,,,,  
13,1,,172164-03560,, LABEL,1,1,,,,,,,,,,,,,  
14,1,,172964-03610,, "LABEL A",1,1,,,,,,,,,,,,,  
15,1,,172165-03661,, "LABEL,DANGER",1,1,,,,,,,,,,,,,  
16,1,,172519-04180,, "LABEL,WARNING",1,1,,,,,,,,,,,,,  
17,1,,172519-04290,, "LABEL,WARNING",1,1,,,,,,,,,,,,,  
18,1,,172519-04300,, LABEL,1,1,,,,,,,,,,,,,



0,Y00K2761  
1,001,, "VEHICLE B7"  
2,1,, "LABEL(CABIN,NOT  
TRIM)", B7(R)CABIN,B7(R)CANOPY,B7(R)AUSTRAL,B7(R)EUROPE,B7(R)AMMANN  
2,2,, "LABEL(CABIN,WITH  
TRIM)", B7(R)CABIN,B7(R)CANOPY,B7(R)AUSTRAL,B7(R)EUROPE,B7(R)AMMANN  
2,3,, "LABEL(CANOPY,NOT  
TRIM)", B7(R)CABIN,B7(R)CANOPY,B7(R)AUSTRAL,B7(R)EUROPE,B7(R)AMMANN  
2,4,, "LABEL(CANOPY,WITH  
TRIM)", B7(R)CABIN,B7(R)CANOPY,B7(R)AUSTRAL,B7(R)EUROPE,B7(R)AMMANN  
2,5,, LABEL(AS), B7(R)CABIN,B7(R)CANOPY,B7(R)AUSTRAL,B7(R)EUROPE,B7(R)AMMANN  
2,6,, "LABEL(EP,AY)", B7(R)CABIN,B7(R)CANOPY,B7(R)AUSTRAL,B7(R)EUROPE,B7(R)AMMANN  
2,7,, TOOL,B7(R)CABIN,B7(R)CANOPY,B7(R)AUSTRAL,B7(R)EUROPE,B7(R)AMMANN  
2,8,, "AIR INTAKE & EXHAUST  
PIPE", B7(R)CABIN,B7(R)CANOPY,B7(R)AUSTRAL,B7(R)EUROPE,B7(R)AMMANN  
2,9,, ACCELERATOR,B7(R)CABIN,B7(R)CANOPY,B7(R)AUSTRAL,B7(R)EUROPE,B7(R)AMMANN  
2,10,, "ENGINE MOUNT", B7(R)CABIN,B7(R)CANOPY,B7(R)AUSTRAL,B7(R)EUROPE,B7(R)AMMANN  
2,11,, "RADIATOR, MOUNT &  
LINE", B7(R)CABIN,B7(R)CANOPY,B7(R)AUSTRAL,B7(R)EUROPE,B7(R)AMMANN  
2,12,, "COOLING FAN", B7(R)CABIN,B7(R)CANOPY,B7(R)AUSTRAL,B7(R)EUROPE,B7(R)AMMANN  
2,13,, "FUEL TANK & FUEL  
LINE", B7(R)CABIN,B7(R)CANOPY,B7(R)AUSTRAL,B7(R)EUROPE,B7(R)AMMANN  
2,14,, BATTERY,B7(R)CABIN,B7(R)CANOPY,B7(R)AUSTRAL,B7(R)EUROPE,B7(R)AMMANN  
2,15,, "ELECTRIC  
PART(WIRING:CABIN,CAN", B7(R)CABIN,B7(R)CANOPY,B7(R)AUSTRAL,B7(R)EUROPE,B7(R)AMMA  
NN  
2,16,, "ELECTRIC  
PART(EQUIPMENT:CABIN, ", B7(R)CABIN,B7(R)CANOPY,B7(R)AUSTRAL,B7(R)EUROPE,B7(R)AMMA  
NN  
2,17,, "ELECTRIC  
PART(CABIN)", B7(R)CABIN,B7(R)CANOPY,B7(R)AUSTRAL,B7(R)EUROPE,B7(R)AMMANN  
2,18,, RADIO,B7(R)CABIN,B7(R)CANOPY,B7(R)AUSTRAL,B7(R)EUROPE,B7(R)AMMANN  
2,19,, HEATER,B7(R)CABIN,B7(R)CANOPY,B7(R)AUSTRAL,B7(R)EUROPE,B7(R)AMMANN  
2,20,, "COOLER(COVER  
RELATED)", B7(R)CABIN,B7(R)CANOPY,B7(R)AUSTRAL,B7(R)EUROPE,B7(R)AMMANN  
2,21,, "COOLER(COMPRESSOR  
RELATED)", B7(R)CABIN,B7(R)CANOPY,B7(R)AUSTRAL,B7(R)EUROPE,B7(R)AMMANN  
2,22,, "COOLER(CONDENSER  
RELATED)", B7(R)CABIN,B7(R)CANOPY,B7(R)AUSTRAL,B7(R)EUROPE,B7(R)AMMANN  
2,23,, "COOLER(CABIN ROOF INNER  
RELATE", B7(R)CABIN,B7(R)CANOPY,B7(R)AUSTRAL,B7(R)EUROPE,B7(R)AMMANN  
2,24,, COOLER(PIPING), B7(R)CABIN,B7(R)CANOPY,B7(R)AUSTRAL,B7(R)EUROPE,B7(R)AMMANN  
2,25,, "COOLER(ELECTRIC  
PART)", B7(R)CABIN,B7(R)CANOPY,B7(R)AUSTRAL,B7(R)EUROPE,B7(R)AMMANN  
2,26,, "COOLER(CABIN INTERIOR  
OTHERS)", B7(R)CABIN,B7(R)CANOPY,B7(R)AUSTRAL,B7(R)EUROPE,B7(R)AMMANN  
2,27,, "ROLLER&ADJUST(IRON CRAWLER  
SPE", B7(R)CABIN,B7(R)CANOPY,B7(R)AUSTRAL,B7(R)EUROPE,B7(R)AMMANN  
2,28,, "ROLLER&ADJUST(RUBBER CRAWLER  
S", B7(R)CABIN,B7(R)CANOPY,B7(R)AUSTRAL,B7(R)EUROPE,B7(R)AMMANN  
2,29,, CRAWLER(450), B7(R)CABIN,B7(R)CANOPY,B7(R)AUSTRAL,B7(R)EUROPE,B7(R)AMMANN  
2,30,, "CONTROL EQUIP.(STAND&OPE  
LEVER", B7(R)CABIN,B7(R)CANOPY,B7(R)AUSTRAL,B7(R)EUROPE,B7(R)AMMANN  
2,31,, "CONTROL  
EQUIP.(DRIVE)", B7(R)CABIN,B7(R)CANOPY,B7(R)AUSTRAL,B7(R)EUROPE,B7(R)AMMANN  
2,32,, "CONTROL  
EQUIP.(BLADE)", B7(R)CABIN,B7(R)CANOPY,B7(R)AUSTRAL,B7(R)EUROPE,B7(R)AMMANN  
2,33,, "CONTROL  
EQUIP.(OFFSET)", B7(R)CABIN,B7(R)CANOPY,B7(R)AUSTRAL,B7(R)EUROPE,B7(R)AMMANN  
2,34,, "CONTROL EQUIP.(DRIVE 2ND  
SW.P)", B7(R)CABIN,B7(R)CANOPY,B7(R)AUSTRAL,B7(R)EUROPE,B7(R)AMMANN  
2,35,, "CONTROL EQUIP.(CUT  
OFF)", B7(R)CABIN,B7(R)CANOPY,B7(R)AUSTRAL,B7(R)EUROPE,B7(R)AMMANN

2,36,, "CONTROL  
EQUIP. (P.T.O.)", B7(R) CABIN, B7(R) CANOPY, B7(R) AUSTRAL, B7(R) EUROPE, B7(R) AMMANN  
2,37,, "FRAME & TURNING  
BEARING", B7(R) CABIN, B7(R) CANOPY, B7(R) AUSTRAL, B7(R) EUROPE, B7(R) AMMANN  
2,38,, "FRAME COVER", B7(R) CABIN, B7(R) CANOPY, B7(R) AUSTRAL, B7(R) EUROPE, B7(R) AMMANN  
2,39,, "STEP & INSTRUMENT  
PANEL", B7(R) CABIN, B7(R) CANOPY, B7(R) AUSTRAL, B7(R) EUROPE, B7(R) AMMANN  
2,40,, "SEAT & SEAT  
MOUNT", B7(R) CABIN, B7(R) CANOPY, B7(R) AUSTRAL, B7(R) EUROPE, B7(R) AMMANN  
2,41,, "BONNET", B7(R) CABIN, B7(R) CANOPY, B7(R) AUSTRAL, B7(R) EUROPE, B7(R) AMMANN  
2,42,, "CANOPY", B7(R) CABIN, B7(R) CANOPY, B7(R) AUSTRAL, B7(R) EUROPE, B7(R) AMMANN  
2,43,, "CABIN(BODY)", B7(R) CABIN, B7(R) CANOPY, B7(R) AUSTRAL, B7(R) EUROPE, B7(R) AMMANN  
2,44,, "CABIN(BODY) (COOLER  
SPEC.)", B7(R) CABIN, B7(R) CANOPY, B7(R) AUSTRAL, B7(R) EUROPE, B7(R) AMMANN  
2,45,, "CABIN(SASH &  
GLASS)", B7(R) CABIN, B7(R) CANOPY, B7(R) AUSTRAL, B7(R) EUROPE, B7(R) AMMANN  
2,46,, "CABIN DOOR", B7(R) CABIN, B7(R) CANOPY, B7(R) AUSTRAL, B7(R) EUROPE, B7(R) AMMANN  
2,47,, "CABIN  
REMODELING", B7(R) CABIN, B7(R) CANOPY, B7(R) AUSTRAL, B7(R) EUROPE, B7(R) AMMANN  
2,48,, "MAIN HYD.OIL PUMP &  
JOINT", B7(R) CABIN, B7(R) CANOPY, B7(R) AUSTRAL, B7(R) EUROPE, B7(R) AMMANN  
2,49,, "HYD.OIL  
PUMP (P.T.O.)", B7(R) CABIN, B7(R) CANOPY, B7(R) AUSTRAL, B7(R) EUROPE, B7(R) AMMANN  
2,50,, "FAN MOTOR", B7(R) CABIN, B7(R) CANOPY, B7(R) AUSTRAL, B7(R) EUROPE, B7(R) AMMANN  
2,51,, "BOOM  
CYLINDER", B7(R) CABIN, B7(R) CANOPY, B7(R) AUSTRAL, B7(R) EUROPE, B7(R) AMMANN  
2,52,, "ARM CYLINDER", B7(R) CABIN, B7(R) CANOPY, B7(R) AUSTRAL, B7(R) EUROPE, B7(R) AMMANN  
2,53,, "BUCKET  
CYLINDER", B7(R) CABIN, B7(R) CANOPY, B7(R) AUSTRAL, B7(R) EUROPE, B7(R) AMMANN  
2,54,, "OFFSET  
CYLINDER", B7(R) CABIN, B7(R) CANOPY, B7(R) AUSTRAL, B7(R) EUROPE, B7(R) AMMANN  
2,55,, "BLADE  
CYLINDER", B7(R) CABIN, B7(R) CANOPY, B7(R) AUSTRAL, B7(R) EUROPE, B7(R) AMMANN  
2,56,, "DRIVING  
MOTOR", B7(R) CABIN, B7(R) CANOPY, B7(R) AUSTRAL, B7(R) EUROPE, B7(R) AMMANN  
2,57,, "TURNING MOTOR & BLAKE  
TIMER", B7(R) CABIN, B7(R) CANOPY, B7(R) AUSTRAL, B7(R) EUROPE, B7(R) AMMANN  
2,58,, "SWIVEL JOINT", B7(R) CABIN, B7(R) CANOPY, B7(R) AUSTRAL, B7(R) EUROPE, B7(R) AMMANN  
2,59,, "CONTROL  
VALVE", B7(R) CABIN, B7(R) CANOPY, B7(R) AUSTRAL, B7(R) EUROPE, B7(R) AMMANN  
2,60,, "CONTROL  
VALVE", B7(R) CABIN, B7(R) CANOPY, B7(R) AUSTRAL, B7(R) EUROPE, B7(R) AMMANN  
2,61,, "OFFSET VALVE", B7(R) CABIN, B7(R) CANOPY, B7(R) AUSTRAL, B7(R) EUROPE, B7(R) AMMANN  
2,62,, "VALVE MOUNT", B7(R) CABIN, B7(R) CANOPY, B7(R) AUSTRAL, B7(R) EUROPE, B7(R) AMMANN  
2,63,, "REMOTE CONTROL  
VALVE", B7(R) CABIN, B7(R) CANOPY, B7(R) AUSTRAL, B7(R) EUROPE, B7(R) AMMANN  
2,64,, "ROTARY V. (MULTI  
CHANGE) (OPTION)", B7(R) CABIN, B7(R) CANOPY, B7(R) AUSTRAL, B7(R) EUROPE, B7(R) AMMANN  
2,65,, "HYD. OIL TANK & L. O.  
COOLER", B7(R) CABIN, B7(R) CANOPY, B7(R) AUSTRAL, B7(R) EUROPE, B7(R) AMMANN  
2,66,, "HYD.OIL PIPING(TANK-PUMP-  
VALVE)", B7(R) CABIN, B7(R) CANOPY, B7(R) AUSTRAL, B7(R) EUROPE, B7(R) AMMANN  
2,67,, "HYD.OIL PIPING(VALVE-  
BOOM)", B7(R) CABIN, B7(R) CANOPY, B7(R) AUSTRAL, B7(R) EUROPE, B7(R) AMMANN  
2,68,, "HYD.OIL PIPING(VALVE-  
T.,S)", B7(R) CABIN, B7(R) CANOPY, B7(R) AUSTRAL, B7(R) EUROPE, B7(R) AMMANN  
2,69,, "HYD.OIL  
PIPING", B7(R) CABIN, B7(R) CANOPY, B7(R) AUSTRAL, B7(R) EUROPE, B7(R) AMMANN  
2,70,, "HYD.OIL  
PIPING(RETURN)", B7(R) CABIN, B7(R) CANOPY, B7(R) AUSTRAL, B7(R) EUROPE, B7(R) AMMANN  
2,71,, "HYD.OIL PIPING(TRACK  
FRAME)", B7(R) CABIN, B7(R) CANOPY, B7(R) AUSTRAL, B7(R) EUROPE, B7(R) AMMANN

2,72,, "HYD.OIL  
PIPING(BOOM) ", B7(R)CABIN, B7(R)CANOPY, B7(R)AUSTRAL, B7(R)EUROPE, B7(R)AMMANN  
2,73,, "HYD.OIL  
PIPING(3RD)(OPTIONAL) ", B7(R)CABIN, B7(R)CANOPY, B7(R)AUSTRAL, B7(R)EUROPE, B7(R)AMMA  
NN  
2,74,, "CONTROL PIPING(PILOT V.-  
PLATE) ", B7(R)CABIN, B7(R)CANOPY, B7(R)AUSTRAL, B7(R)EUROPE, B7(R)AMMANN  
2,75,, "CONTROL PIPING(PLATE-  
VALVE) ", B7(R)CABIN, B7(R)CANOPY, B7(R)AUSTRAL, B7(R)EUROPE, B7(R)AMMANN  
2,76,, "CONTROL PIPING(P.V.-CHANGE  
V.) ", B7(R)CABIN, B7(R)CANOPY, B7(R)AUSTRAL, B7(R)EUROPE, B7(R)AMMANN  
2,77,, "CONTROL PIP.(CHANGE V.-  
CONT.V. ", B7(R)CABIN, B7(R)CANOPY, B7(R)AUSTRAL, B7(R)EUROPE, B7(R)AMMANN  
2,78,, GREASING, B7(R)CABIN, B7(R)CANOPY, B7(R)AUSTRAL, B7(R)EUROPE, B7(R)AMMANN  
2,79,, BOOM(A), B7(R)CABIN, B7(R)CANOPY, B7(R)AUSTRAL, B7(R)EUROPE, B7(R)AMMANN  
2,80,, BOOM(B), B7(R)CABIN, B7(R)CANOPY, B7(R)AUSTRAL, B7(R)EUROPE, B7(R)AMMANN  
2,81,, "ARM STOPPER", B7(R)CABIN, B7(R)CANOPY, B7(R)AUSTRAL, B7(R)EUROPE, B7(R)AMMANN  
2,82,, ARM, B7(R)CABIN, B7(R)CANOPY, B7(R)AUSTRAL, B7(R)EUROPE, B7(R)AMMANN  
2,83,, BUCKET, B7(R)CABIN, B7(R)CANOPY, B7(R)AUSTRAL, B7(R)EUROPE, B7(R)AMMANN  
2,84,, BLADE, B7(R)CABIN, B7(R)CANOPY, B7(R)AUSTRAL, B7(R)EUROPE, B7(R)AMMANN  
2,85,, "SAFETY LABEL", B7(R)CABIN, B7(R)CANOPY, B7(R)AUSTRAL, B7(R)EUROPE, B7(R)AMMANN